

# ENCLOSED & GASKETED INDUSTRIAL

# EGL2

## LED

CATALOG #:

TYPE:

PROJECT:

NOTES:

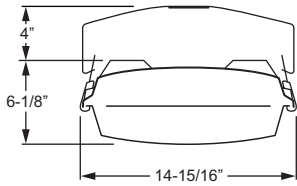
EXAMPLE

**EGL2 - 4 - L250/840 - HIAFR - OPTIONS - DRV - UNV**

SERIES    NOMINAL LENGTH    LUMEN PACKAGE    CRI & CCT    SHIELDING    OPTIONS    DRIVER    VOLTAGE



## CROSS SECTION



Shown with mounting bracket (standard)

## ORDERING INFORMATION

### SERIES

**EGL2** Enclosed & Gasketed Industrial

### NOMINAL LENGTH

**4** 4'

### LED PACKAGE

NOTE: Nominal lumens based on HIAFR shielding.

EXAMPLE: L250/840				AVERAGE SYSTEM WATTAGE
LUMEN PACKAGE	NOMINAL LUMENS		MINIMUM CRI & CCT	
	FROSTED LENS	CLEAR LENS		
L107	10,000	10,700	840 = 82 CRI, 4000K 850 = 82 CRI, 5000K	89
L145	14,500	14,600		142
L197	19,700	19,800		190
L250	25,000	25,200		225

### SHIELDING

**HIAFR** Frosted, impact-resistant acrylic  
**HIA** Clear, impact-resistant acrylic  
**PC** Clear, UV stabilized impact-resistant polycarbonate

### OPTIONS/ACCESSORIES

Cord and receptacle options available, see back for details.

**EM/10W** 10-watt emergency driver (120-277V only; only available with lumen packages at or below 14,500 lumens) 25°C maximum ambient operating temperature

**(L\_ \_)** Additional **lower lumen packages** in 100 nominal lumen increments available. Option must be specified with next higher lumen package. **Example:** 16,100 nominal lumens = EGL2-4-L197/840-HIAFR-(**L161**).

**WET/1** (1) 1/2" watertight hub (factory-installed in end of housing)

**WET/2** (2) 1/2" watertight hubs (factory-installed in ends of housing; not available with occupancy sensor option)

**SSV** Stainless steel V-hooks (two per fixture)

**SSMRB** Stainless steel rigid ceiling mount bars (two per fixture)

**SS LATCH** Stainless steel latches

**TP** Tamper-resistant (holt head) screws (This option requires a tamper-resistant tool (must be ordered separately). Please specify quantity required per project.)

### OCCUPANCY SENSORS

Specify from the following options:

**OCCWS HB350W-L3W-120/277<sup>1</sup>**

**OCCWS HB350W-L4W-120/277<sup>1</sup>**

### DRIVER

Additional dimming drivers available, see [Technical Info](#).

**DRV** Driver prewired for non-dimming applications

**DIM** Driver prewired for 0-10V low-voltage dimming applications

### VOLTAGE

Must specify 120V or 277V when using occupancy sensor.

**120** 120V

**277** 277V

**UNV** 120-277V

## FEATURES

- ▶ NEMA 4X, IP65, IP66, IP67, and NSF/ANSI Standard 2–Splash Zone certified.
- ▶ Hose-down tested at 1500 PSI at 1.4 GPM to withstand water penetration.
- ▶ Precisely formed lens provides maximum efficiency/reduced glare.
- ▶ Seamless closed-cell gasket poured and formed in place.
- ▶ Liquid-tight power entry.
- ▶ Optional 100% polycarbonate lens available.
- ▶ Wide variety of cord and receptacle options.
- ▶ Rated for 40°C maximum ambient operating temperature. Restrictions apply, see back for details.
- ▶ LED technology provides high efficacy and energy efficiency.
- ▶ Multiple dimming protocols available.
- ▶ Rated >50,000 hours at 70% lumen maintenance (L70).
- ▶ Minimum 82 CRI; 3000K, 3500K, 4000K, 5000K CCT.
- ▶ This fixture is proudly made in the USA.

<sup>1</sup> IP65 certified when specified with occupancy sensor. Not rated for NEMA 4X.



# EGL2

## ENCLOSED & GASKETED INDUSTRIAL

### LED

### SPECIFICATIONS

**Enclosure** – Outer housing consists of 5VA (f1) fiberglass, rated for flame and weather resistance.

**Internal Housing** – .050"aluminum.

**Latching** – Injection-molded polycarbonate latches.

**Reflector** – 95% reflective highly specular aluminum.

**Reflective Surfaces** – 92% minimum average reflective white polyester powder coat bonded to phosphate-free, multi-stage pretreated metal. All internal parts painted after fabrication to facilitate installation, increase efficiency, and inhibit corrosion.

**Shielding** – Frosted, impact-resistant acrylic.

**Electrical** – High quality mid-power LED board. L70 >50,000 hours. 40°C maximum ambient operating temperature.

**Power Supply** – Fixture has holes in each end suitable for 1/2" electrical trade size liquid-tight connectors. Power supply must be with flexible liquid-tight conduit or cord rated for wet location use.

**Mounting** – Surface or suspended using four stainless steel mounting straps and two flexible ceiling mount brackets included.

**Labels & Certifications** – cETLus listed as LED luminaire suitable for dry, damp, or wet locations; NSF/ANSI Standard 2–Splash Zone certified, IP65, IP66, and IP67 certified, and rated for NEMA 4X.

**Warranty** – 5-year limited fixture warranty, see [hew.com/warranty](http://hew.com/warranty).

### IMPORTANT:

Electrostatic sensitive unit. Observe precautions when handling.

### AMBIENT TEMPERATURE

Lumen Package	Max	EM Max
L107	40°C	25°C
L145	40°C	25°C
L197	35°C	-
L250	25°C	-

### CORD OPTIONS

EXAMPLE: 5WMRC6		
NUMBER OF CONDUCTORS	POWER CONNECTION – NON-DIMMING	CORD LENGTH
3 = 3-wire 4 = 4-wire	WMR = Mini-male receptacle only	6 = 6' 20 = 20'
	WC = STOW cord	
	WMRC = Mini-male receptacle with STOW cord	
POWER CONNECTION – DIMMING		
5 = 5-wire 6 = 6-wire	WMR = Mini-male receptacle only	6 = 6' 20 = 20'
	WC = SOOW cord	
	WMRC = Mini-male receptacle with SOOW cord	

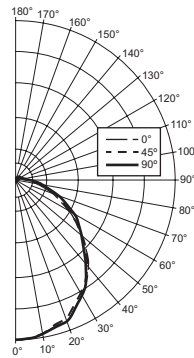
Wet location cord sets are yellow.

### PHOTOMETRY

Catalog #: EGL2-4-L250/840-HIAFR-DRV-UNV

#### TEST REPORT INFORMATION

- ▶ Test Report #: 19400.0
- ▶ Date: 06/22/16
- ▶ Lamp Type: LED
- ▶ **Rated Lumens: 25,333**
- ▶ **Watts: 208.2**
- ▶ **Lumens Per Watt: 121.7**
- ▶ **CRI: 84.0**
- ▶ **CCT: 4130K**



#### CANDLEPOWER DISTRIBUTION

Vertical Angle	Horizontal Angle			Zonal Lumens
	0°	45°	90°	
0	8729	8729	8729	
5	8802	8679	8662	830.0
15	8556	8441	8448	2400.0
25	7986	7901	7920	3664.6
35	7026	6967	6922	4374.8
45	5730	5595	5491	4344.5
55	4083	4047	4417	3737.4
65	2419	2780	3174	2792.6
75	1099	1621	1925	1661.1
85	256	738	1002	753.3
90	120	475	666	
95	101	323	436	320.3
105	84	205	263	196.8
115	54	147	208	132.8
125	30	94	158	79.5
135	0	44	100	34.9
145	0	0	51	10.3
155	0	0	0	.0
165	0	0	0	.0
175	0	0	0	.0
180	0	0	0	

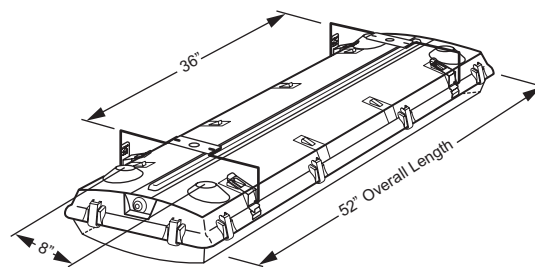
#### LUMEN SUMMARY

Zone	Lumens	% Fixture
0 - 30	6895	27.2
0 - 40	11269	44.5
0 - 60	19351	76.4
0 - 90	24558	96.9
90 - 120	650	2.6
90 - 130	729	2.9
90 - 150	775	3.1
90 - 180	775	3.1
<b>Total Luminaire:</b>		
0 - 180	25333	100.0

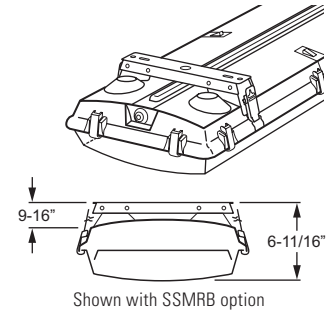
IES Spacing Criteria:  
End = 1.3, Diagonal = 1.3, Across = 1.3

### FIXTURE DETAILS

#### STANDARD MOUNTING



#### OPTIONAL MOUNTING



DLC qualified products listed at [www.designlights.org](http://www.designlights.org).

The U.S. Department of Energy's Lighting Facts® Program has verified product performance based on industry-standardized testing. For details, see H.E. Williams EGL2 series at [www.lightingfacts.com](http://www.lightingfacts.com).

