

ROUND ARCHITECTURAL SURFACE MOUNT

RNDS

LED



- ### FEATURES
- ▶ Round, surface mounted, architectural fixture adds visual interest to a variety of applications.
 - ▶ Frosted, round acrylic lens provides soft, uniform light distribution.
 - ▶ Lift-and-twist lens assembly allows for easy maintenance.
 - ▶ This fixture is proudly made in the USA.

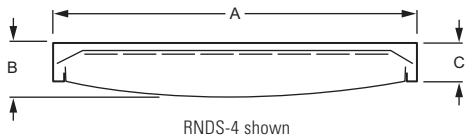
CATALOG #: _____ TYPE: _____

PROJECT: _____ NOTES: _____

EXAMPLE **RNDS - 4 - L136/835 - FXA - OPTIONS - DIM - UNV**

SERIES NOMINAL DIAMETER LUMEN PACKAGE CRI & CCT LENS OPTIONS DRIVER VOLTAGE

CROSS SECTION



FIXTURE	A (DIA.)	B	C
2'	26-3/16"	6-11/16"	5-1/8"
3'	36-11/16"	7-3/16"	5-1/8"
4'	48-11/16"	7-11/16"	5-1/8"

ORDERING INFORMATION

SERIES
RNDS Round Architectural Surface Mount

NOMINAL DIAMETER

2	2'
3	3'
4	4'

LED PACKAGE

EXAMPLE: L136/835			AVERAGE SYSTEM WATTAGE
LUMEN PACKAGE	NOMINAL LUMENS	MINIMUM CRI & CCT	
2'			31
L25	2,500	827 = 82 CRI, 2700K	
L45	4,500		
3'			62
830 = 82 CRI, 3000K			
L67	6,700	835 = 82 CRI, 3500K	
4'			75
840 = 82 CRI, 4000K			
L136	13,600		125

Nominal lumen output based on 3500K CCT. Actual lumens may vary +/- 5%. See specific photometric tests. Additional LED lumen packages available, see options.

LENS
FXA Frosted convex acrylic lens

OPTIONS

EM/10W REMOTE¹ Remote mount emergency LED battery (120V-277V only). See back for details. Additional lower lumen packages available. Specify in increments of 100 nominal lumens.
Example: 12,500 nominal lumens = RNDS-4-L136/835-FXA-(L125)

(L__)

DRIVER

DRV Driver prewired for non-dimming applications
DIM 10% dimming driver prewired for 0-10V low voltage applications

VOLTAGE

120 120V
277 277V
UNV 120-277V

¹ EM/10W REMOTE requires remote mounted LED driver, provided with remote mounting enclosure for installation in ceiling above fixture. Separate power and control wiring to remote box required. See back for details.

LED

SPECIFICATIONS

Housing – .080" spun aluminum outer housing with C.R.S. back plate.

Shielding – Frosted acrylic lens, .125" thick.

Finish – Textured matte white polyester TGIC powder coat bonded to phosphate-free, multi-stage pretreated metal. All parts painted after fabrication to facilitate installation, increase efficiency, and inhibit corrosion.

Electrical – High quality mid-power LED boards. L70 >50,000 hours. 25°C maximum ambient operating temperature.

Mounting – Surface mount.

Labels – cCSAus certified as luminaire suitable for dry or damp locations.

Warranty – 5-year limited warranty, see www.hew.com/warranty.

IMPORTANT:

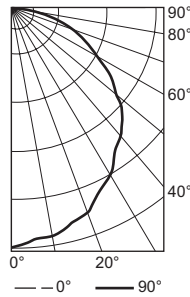
Electrostatic sensitive unit. Observe precautions when handling.

PHOTOMETRY

Catalog #: **RNDS-4-L136/835-FXA-DRV-UNV**

TEST REPORT INFORMATION

- ▶ Test Report #: 18643.0
- ▶ Date: 01/23/15
- ▶ Lamp Type: LED
- ▶ **Rated Lumens: 13550**
- ▶ **Watts: 125.2**
- ▶ **Lumens Per Watt: 108.2**
- ▶ **CRI: 83**
- ▶ **CCT: 3375K**



CANDLEPOWER DISTRIBUTION

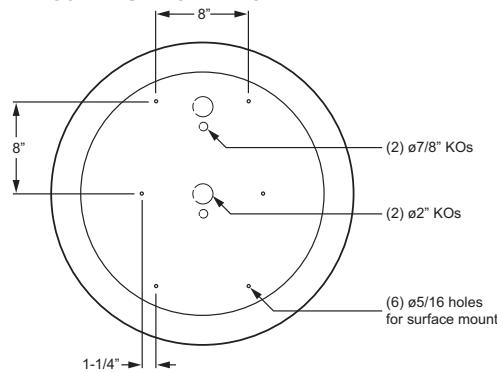
Vertical Angle	Horizontal Angle			Zonal Lumens
	0°	45°	90°	
0°	4974.	4974.	4974.	
5°	4802.	4798.	4794.	458.0
15°	4600.	4594.	4596.	1302.8
25°	4163.	4158.	4161.	1925.4
35°	3629.	3622.	3627.	2277.0
45°	3178.	3172.	3176.	2457.3
55°	2433.	2429.	2437.	2182.8
65°	1675.	1666.	1677.	1657.8
75°	888.	890.	890.	940.2
85°	316.	321.	321.	348.9
90°	125.	127.	127.	

LUMEN SUMMARY

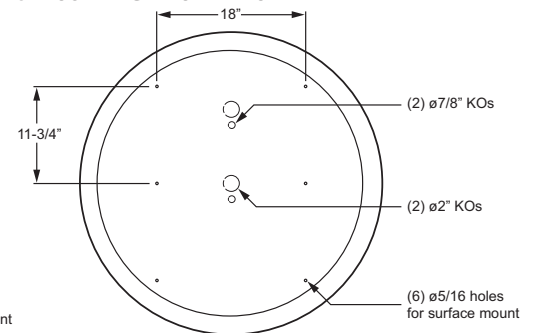
Zone	Lumens	% Fixture
0° - 30°	3686.	27.2
0° - 40°	5963.	44.0
0° - 60°	10603.	78.3
0° - 90°	13550.	100.0
Total Luminaire:		
0° - 180°	13550.	100.0
IES Spacing Criteria: End = 1.2 Across = 1.2 Diagonal = 1.2		

FIXTURE DETAILS

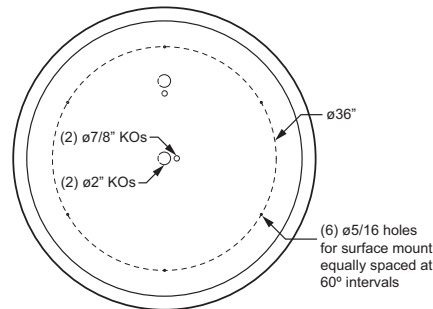
2' MOUNTING INFORMATION



3' MOUNTING INFORMATION



4' MOUNTING INFORMATION



EM/10W REMOTE MOUNT DETAILS

