

2" WALL MOUNT ARCHITECTURAL

AX2W

LED

CATALOG #: _____ TYPE: _____

PROJECT: _____ NOTES: _____

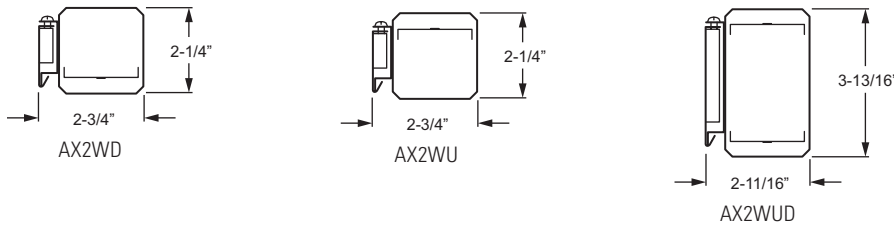
EXAMPLE

AX2W U - 4 - L33/835 - S - OPTIONS - DIM - UNV

SERIES DISTRIBUTION NOM. LENGTH LUMEN PACKAGE CRI & CCT FIXTURE TYPE OPTIONS DRIVER VOLTAGE



CROSS SECTIONS



FEATURES

- ▶ Available in six finish colors; matte, smooth aluminum standard.
- ▶ Sleek, linear design incorporates clean lines and slim styling
- ▶ Slightly wrapped lens creates glowing edge and smooth illumination
- ▶ Attractive source of direct or indirect lighting for use in offices, hallways, conference rooms and medical facilities
- ▶ Frosted acrylic lens
- ▶ This fixture is proudly made in the USA

ORDERING INFORMATION

SERIES

AX2W 2" Wall Mount Architectural

DISTRIBUTION

U Uplight
D Downlight
UD Up and Downlight

NOMINAL LENGTH

2 2' (Uplight or Downlight only)
4 4'
8 8'

LED PACKAGE

UPLIGHT OR DOWNLIGHT ONLY

EXAMPLE: L33/835			
LUMEN PACKAGE	NOMINAL LUMENS	MINIMUM CRI & CCT	AVERAGE SYSTEM WATTAGE
2'			
L16	1,600	827 = 82 CRI, 2700K	18
4'			
L33	3,300	835 = 82 CRI, 3500K	42
8'			
L66	6,600	840 = 82 CRI, 4000K	83

UP & DOWNLIGHT ONLY

System wattage per compartment shown. Specify lumen packages: **U** for Uplight and **D** for Downlight.

EXAMPLE: L33/835U/L33/835D			
LUMEN PACKAGE	NOMINAL LUMENS	MINIMUM CRI & CCT	AVERAGE SYSTEM WATTAGE
4'			
L16	1,600	827 = 82 CRI, 2700K	18
L24	2,400		27
L33	3,300		42
8'			
L33	3,300	835 = 82 CRI, 3500K	42
L50	5,000		62
L66	6,600		83

Additional LED lumen packages available, see options.

FIXTURE TYPE

F Electrical feeder unit, quick-connect wiring harness, two end plates, field installed.
J Joiner unit, quick-connect wiring harness, no end plates
S Stand-alone unit, two end plates installed

OPTIONS

EM batteries not available.
 For color options, visit the AX2 online at hew.com.
C2_ Two-circuit quick-connect wiring harness. See [Technical Info](#) for complete quick-connect offering.
ASY Asymmetric reflector (uplight only; reduces lumen output up to 25%)
(L__) Additional lower lumen packages available. Specify in increments of 100 nominal lumens. Option must be specified with next higher lumen package.
Example: 2,500 nominal lumens = AX2U-4-L33/835-S-(L25)

DRIVER

Additional dimming drivers available, see [Technical Info](#).
 Not available with DIMU/DIMD.

AX2U OR AX2D

DRV Driver prewired for non-dimming applications
DIM 10% dimming driver prewired for 0-10V low voltage applications

AX2UD

DRV Driver prewired for non-dimming applications (entire fixture switches together)
DIM 10% dimming driver prewired for 0-10V low voltage applications (entire fixture switches and dims together)
DRVU/DRVD Driver prewired for non-dimming applications (up and down portions switch separately)
DIMUDRVD Up and down portions switch together with 0-10V dimming on up portions only
DRVUDIMD Up and down portions switch together with 0-10V dimming on down portions only

VOLTAGE

120 120V
277 277V
UNV 120-277V



AX2W

2" WALL MOUNT ARCHITECTURAL

LED

PHOTOMETRY

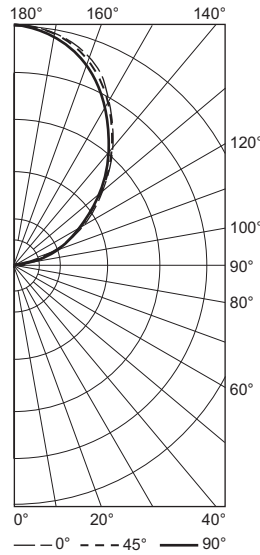
AX2WU-4-L33/835-S-DIM-UNV Report #: 18753.0; 03/11/15 | Total Luminaire Output: 3248 lumens; 41.6 Watts
Efficacy: 78.2 lm/W | 84 CRI; 3483K CCT | IES Spacing Criteria: End: 1.2, Across: 1.2, Diagonal: 1.2

SPECIFICATIONS

- Housing** – Extruded aluminum.
- Shielding** – Frosted acrylic lens.
- Finish** – Matte, smooth silver sparkle standard. All other colors default to textured finish. Polyester powder coat bonded to phosphate-free, multi-stage pretreated metal. All parts painted after fabrication to facilitate installation, increase efficiency, and inhibit corrosion.
- Electrical** – High quality mid-power LED boards. L70 at 60,000 hours per IES TM-21.
- Mounting** – Wall.
- Labels** – cETLus conforms to UL STD 1598 and UL STD 8750. Certified to CAN/CSA STD C22.2 No. 250.0. Suitable for damp locations.
- Warranty** – 5-year limited warranty, see www.hew.com/warranty.

IMPORTANT:

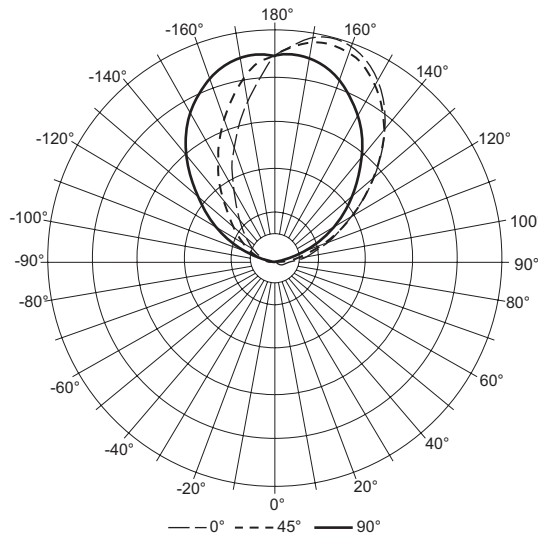
Electrostatic sensitive unit. Observe precautions when handling.



Vertical Angle	Horizontal Angle			Zonal Lumens
	0°	45°	90°	
0	0	0	0	
5	0	0	0	0
15	0	0	0	0
25	0	0	0	0
35	0	0	0	0
45	0	0	11	2.2
55	0	8	19	7.9
65	0	13	28	12.6
75	0	20	40	21.0
85	1	26	47	27.4
90	9	37	63	
95	40	68	97	75.0
105	168	179	205	195.4
115	331	328	334	332.1
125	523	513	492	463.4
135	725	706	686	552.6
145	927	918	887	576.0
155	1123	1104	1082	511.4
165	1237	1229	1208	347.9
175	1293	1294	1288	123.5
180	1304	1304	1304	

	Zone	Lumens	% Fixture
LUMEN SUMMARY	0 - 30	0	0
	0 - 40	0	0
	0 - 60	10	0.3
	0 - 90	71	2.2
	90 - 120	603	18.5
	90 - 150	2194	67.6
	90 - 180	3177	97.8
	0 - 180	3248	100.0

AX2WU-4-L33/835-S-ASY-DIM-UNV
Report #: 18755.0; 03/11/15; Total Luminaire Output: 2443 lumens
42.2 Watts; Efficacy: 58.0 lm/W; 84.6 CRI; 3540K CCT



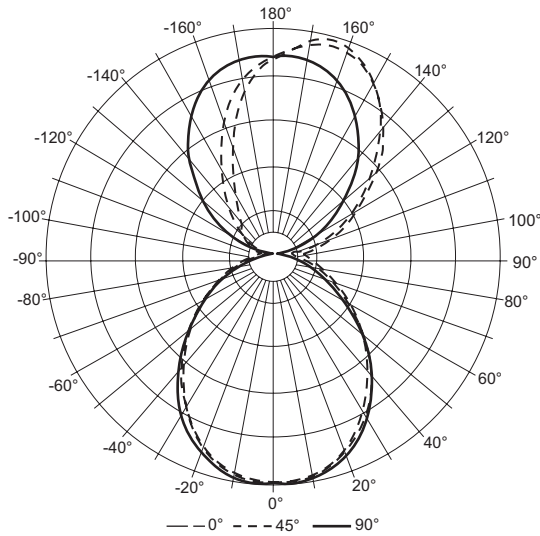
Vertical Angle	Horizontal Angle						Zonal Lumens
	0°	45°	90°	135°	180°		
0	0	0	0	0	0	0	
5	0	0	0	0	0	0	
15	0	0	0	0	0	0	
25	0	0	0	0	0	0	
35	5	0	0	0	0	0.8	
45	12	0	0	0	0	1.6	
55	19	5	0	0	0	3.6	
65	33	11	0	0	0	6.5	
75	44	18	0	0	0	8.8	
85	60	28	0	0	0	15.2	
90	82	43	1	6	7		
95	121	76	28	28	25	59.5	
105	219	182	121	82	63	144.8	
115	360	345	263	149	105	248.4	
125	540	531	417	226	154	340.7	
135	743	739	581	328	221	412.6	
145	933	924	758	468	329	437.6	
155	1083	1050	890	640	491	392.7	
165	1137	1105	987	817	674	273.8	
175	1066	1059	1021	976	890	96.8	
180	1011	1011	1011	1011	1011		

	Zone	Lumens	% Fixture
LUMEN SUMMARY	0 - 30	0	0
	0 - 40	1	0
	0 - 60	6	0.2
	0 - 90	36	1.5
	90 - 120	453	18.5
	90 - 150	793	32.5
	90 - 180	1643	67.3
	0 - 180	2443	100.0



PHOTOMETRY

AX2WUD-4-L33/835U/L33/835D-S-ASY-DIMU/DIMD-UNV
 Report #: 18756.0; 03/18/15; Total Luminaire Output: 5789 lumens
 82.8 Watts; Efficacy: 69.9 lm/W; 84.5 CRI; 3514K CCT

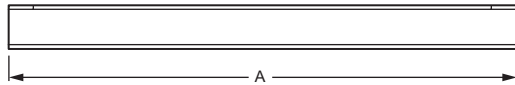


Vertical Angle	Horizontal Angle					Zonal Lumens
	0°	45°	90°	135°	180°	
0	1251	1251	1251	1251	1251	
5	1250	1252	1257	1235	1251	118.8
15	1187	1195	1206	1185	1188	336.3
25	1056	1068	1096	1054	1048	493.8
35	872	916	921	881	863	559.3
45	695	700	706	680	661	523.8
55	509	501	477	472	474	430.8
65	363	344	283	300	315	311.0
75	244	209	120	162	192	187.9
85	169	105	16	60	82	86.5
90	160	94	0	37	61	
95	219	156	38	58	94	112.7
105	333	280	142	104	131	198.9
115	483	442	277	165	170	294.6
125	651	616	454	234	213	392.7
135	844	802	623	344	258	457.0
145	1000	1002	803	479	348	473.0
155	1146	1133	947	666	529	419.8
165	1199	1173	1043	870	767	289.5
175	1104	1105	1077	1026	986	102.3
180	1067	1067	1067	1067	1067	

LUMEN SUMMARY	Zone	Lumens	% Fixture
	0 - 30	949	16.4
	0 - 40	1508	26.1
	0 - 60	2463	42.5
	0 - 90	3048	52.7
	90 - 120	606	10.5
	90 - 150	999	17.3
	90 - 180	1929	33.3
	0 - 180	5789	100.0

FIXTURE DETAILS

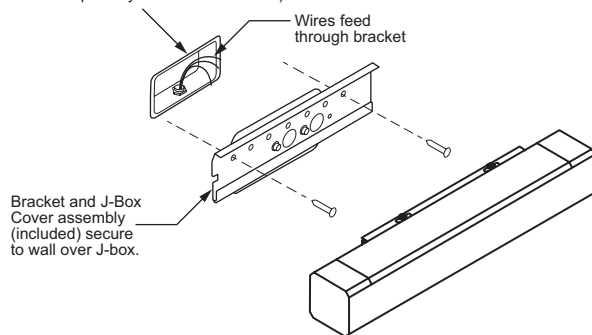
SIDE VIEW



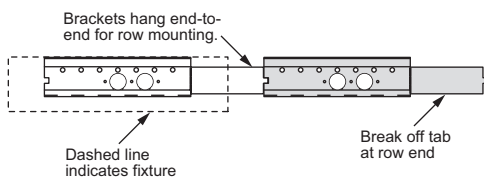
NOMINAL LENGTH	ACTUAL LENGTH (A)
2'	25-7/8"
4'	48-1/16"
8'	91-1/8"

MOUNTING

J-Box (not provided) mounted **horizontally**
 (if attaching to existing vertical J-box,
 J-box cover will be partially visible below fixture).



ROW MOUNTING



CONTINUOUS ROW FIXTURES

When row mounting fixtures, joint between fixtures will be visible at 4' or 8' intervals depending on fixture length.

