

VOLTAIRE CONCRETE BOLLARD – ARCHILINEAR

VCBA

LED

CATALOG #: _____ TYPE: _____

PROJECT: _____ NOTES: _____

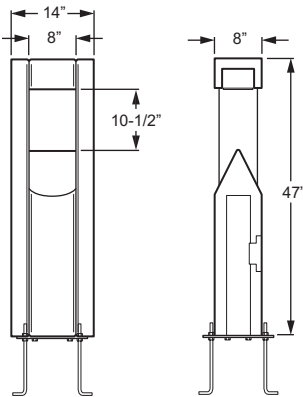
EXAMPLE

VCBA - L9/830 - NC - AB - OPTIONS - 120

SERIES LUMEN PACKAGE CRI & CCT FINISH ANCHOR BOLTS OPTIONS VOLTAGE



CROSS SECTIONS



ORDERING INFORMATION

SERIES

VCBA Voltaire Concrete Bollard – Archilinear

LED PACKAGE

Nominal lumens based on 120V input. See back for fixture performance data.

EXAMPLE: L9/830			AVERAGE WATTAGE
LUMEN PACKAGE	NOMINAL LUMENS	MINIMUM CRI & CCT	
L9	900	830 = 80 CRI, 3000K 840 = 80 CRI, 4000K 850 = 80 CRI, 5000K	17

CONCRETE FINISH

SANDBLAST FINISH

NC Natural
BF Buff
BN Brown
CP Copper

GLAZED SANDBLAST FINISH

NCG Natural with glazed protective sealant
BNG Brown with glazed protective sealant
BFG Buff with glazed protective sealant
CPG Copper with glazed protective sealant

ANCHOR BOLTS

AB¹ Anchor bolts (4 each, shipped with fixture)¹
LAB Less anchor bolts
PAB¹ Pre-shipped anchor bolts (4 each)¹

OPTIONS

SFW Single fuse, wet location (120V, 277V, or 347V only; must specify voltage)
DFW Double fuse, wet location (208V, 240V, or 480V only; must specify voltage)

VOLTAGE

120 120V
208 208V
240 240V
277 277V (integral stepdown transformer)
347 347V (integral stepdown transformer)
480 480V (integral stepdown transformer)

FEATURES

- ▶ Concrete housing complements gardens, pathways, and pedestrian-area applications
- ▶ Aesthetically designed to blend seamlessly with a variety of architectural styles
- ▶ Provides accent and security lighting
- ▶ Symmetric distribution
- ▶ Available in four concrete colors with light sandblast or glazed protective finish
- ▶ Engineered with the highest quality materials to ensure reliability and performance
- ▶ Rated >50,000 hours at 70% lumen maintenance (L70)
- ▶ ANSI 3000K, 4000K, or 5000K CCT
- ▶ Minimum 80 CRI
- ▶ Integral heatsink provides optimal passive thermal management
- ▶ Rated for -30°C to 40°C ambient operating temperature
- ▶ Direct line driven LED module
- ▶ This fixture is proudly made in the USA

¹ Four 3/8" x 12" cast-in galvanized steel anchor J-bolts. Mounting template included.



SPECIFICATIONS

Housing – Steel reinforced precast concrete with a light sand blasted finish.

Thermal Management – Integral aluminum heatsink and LED source provide passive thermal management. Rated -30°C to 40°C ambient operating temperature.

LED Housing – High-grade cast aluminum with superior corrosion resistance. Silver polyester powder coat finish bonded to phosphate-free, multi-stage pretreated metal, meets and exceeds AAMA 2604 specifications for outdoor durability.

LED Module – High quality mid-power LED board. L70 >50,000 hours.

Electrical – 10kA/10kV surge protection standard.

Mounting – Minimum 4" recessed in ground with four-point hot dip galvanized 1/4" A36 steel baseplate. For accurate installation a fullscale mounting template is provided with each bollard and anchor bolt order. Fixture weight: 220 lbs.

Handhole Cover – Grounded stainless steel plate with precast concrete secured with vandal resistant torx fastener.

Labels – cCSAus certified as luminaire suitable for wet locations.

Certifications & Qualifications –

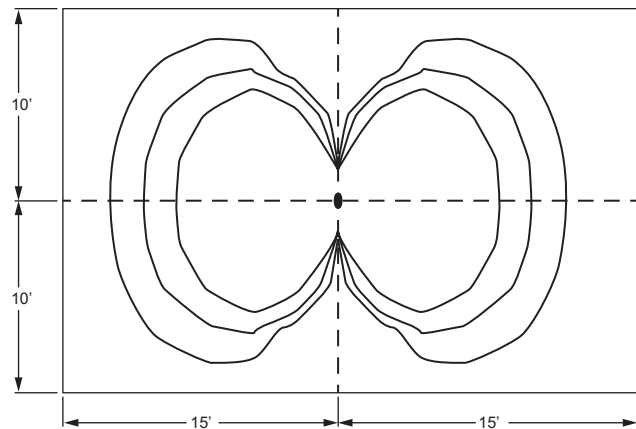
- Calculated L70 lumen maintenance will exceed 50,000 hours per IES TM-21.
- IDA Dark-Sky approved
- Tested to IES LM-79-08 standards.
- RoHS compliant.

Warranty – 5-year limited warranty, see hew.com/warranty.

TEST REPORT INFORMATION

- ▶ Test Report #: ATAL009242-R2
- ▶ Date: 05/28/15
- ▶ **Rated Lumens: 932**
- ▶ **Watts: 16.85**
- ▶ **Lumens Per Watt: 55.3**
- ▶ **CRI: 81**
- ▶ **CCT: 3797K**

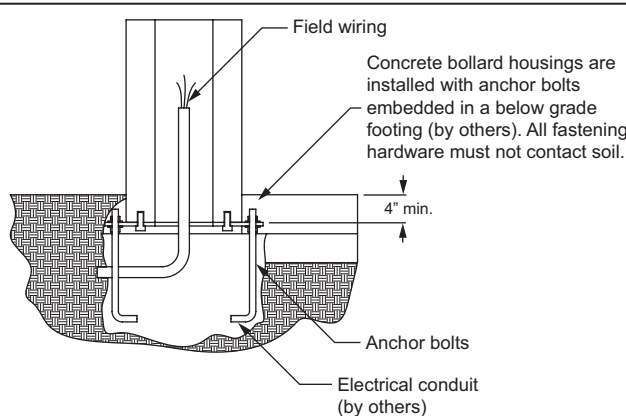
FOOTCANDLE DISTRIBUTION



FIXTURE PERFORMANCE DATA

LED Package	Voltage	Flux (lm)	CRI	Wattage
L9/830	120	868	80	17
L9/840	120	889	81	17
L9/850	120	908	82	17
L9/830	208	818	80	16
L9/840	208	838	81	16
L9/850	208	856	82	16
L9/830	240	922	80	19
L9/840	240	944	81	19
L9/850	240	965	82	19
L9/830	277	926	80	20
L9/840	277	949	81	20
L9/850	277	970	82	20
L9/830	347	864	80	19
L9/840	347	884	81	19
L9/850	347	904	82	19
L9/830	480	922	80	19
L9/840	480	944	81	19
L9/850	480	965	82	19

MOUNTING DETAILS



MOUNTING TEMPLATE

Mounting template is provided with each order. A pdf file (not to scale) of the mounting template is available at www.hew.com.

