

VOLTAIRE CONCRETE BOLLARD – TRIARC

VCBT

LED

CATALOG #:

TYPE:

PROJECT:

NOTES:

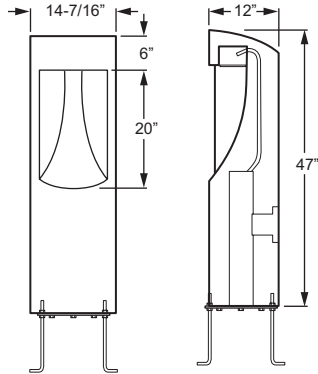
EXAMPLE

VCBT - L6/830 - NC - AB - OPTIONS - 120

▼ SERIES
▼ LUMEN PACKAGE
▼ CRI & CCT
▼ CONCRETE FINISH
▼ ANCHOR BOLTS
▼ OPTIONS
▼ VOLTAGE



CROSS SECTIONS



FEATURES

- ▶ Concrete housing complements gardens, pathways, and pedestrian-area applications
- ▶ Aesthetically designed to blend seamlessly with a variety of architectural styles
- ▶ Provides accent and security lighting
- ▶ Asymmetric distribution
- ▶ Available in four concrete colors with light sandblast or glazed protective finish
- ▶ Engineered with the highest quality materials to ensure reliability and performance
- ▶ Rated >50,000 hours at 70% lumen maintenance (L70)
- ▶ ANSI 3000K, 4000K, or 5000K CCT
- ▶ Minimum 80 CRI
- ▶ Integral heatsink provides optimal passive thermal management
- ▶ Rated for -30°C to 40°C ambient operating temperature
- ▶ Direct line driven LED module
- ▶ This fixture is proudly made in the USA

ORDERING INFORMATION

SERIES

VCBT Voltaire Concrete Bollard – Triarc

LED PACKAGE

Nominal lumens based on 120V input. See back for fixture performance data.

EXAMPLE: L6/830			AVERAGE WATTAGE
LUMEN PACKAGE	NOMINAL LUMENS	MINIMUM CRI & CCT	
L6	600	830 = 80 CRI, 3000K 840 = 80 CRI, 4000K 850 = 80 CRI, 5000K	17

CONCRETE FINISH

SANDBLAST FINISH

NC Natural
BF Buff
BN Brown
CP Copper

GLAZED SANDBLAST FINISH

NCG Natural with glazed protective sealant
BNG Brown with glazed protective sealant
BFG Buff with glazed protective sealant
CPG Copper with glazed protective sealant

ANCHOR BOLTS

AB¹ Anchor bolts (4 each, shipped with fixture)¹
LAB Less anchor bolts
PAB¹ Pre-shipped anchor bolts (4 each)¹

OPTIONS

SFW Single fuse, wet location (120V, 277V, or 347V only; must specify voltage)
DFW Double fuse, wet location (208V, 240V, or 480V only; must specify voltage)

VOLTAGE

120 120V
208 208V
240 240V
277 277V (integral stepdown transformer)
347 347V (integral stepdown transformer)
480 480V (integral stepdown transformer)

¹ Four 3/8" x 12" cast-in galvanized steel anchor J-bolts. Mounting template included.

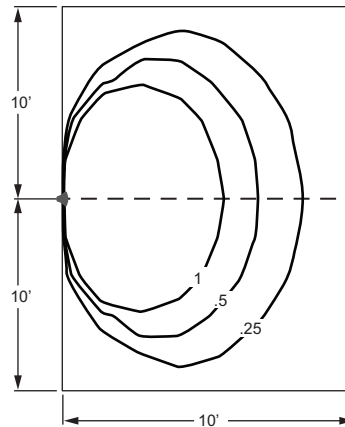


PHOTOMETRY INFORMATION

TEST REPORT INFORMATION

- ▶ Test Report #: ATAL009236-R2
- ▶ Date: 05/29/15
- ▶ **Rated Lumens: 647**
- ▶ **Watts: 16.85**
- ▶ **Lumens Per Watt: 38.2**
- ▶ **CRI: 81**
- ▶ **CCT: 3797K**

FOOTCANDLE DISTRIBUTION



SPECIFICATIONS

Housing – Steel reinforced precast concrete with a light sand blasted finish.

Thermal Management – Integral aluminum heatsink and LED source provide passive thermal management. Rated -30°C to 40°C ambient operating temperature.

LED Housing – High-grade cast aluminum with superior corrosion resistance. Silver polyester powder coat finish bonded to phosphate-free, multi-stage pretreated metal, meets and exceeds AAMA 2604 specifications for outdoor durability.

LED Module – High quality mid-power LED board. L70 >50,000 hours.

Electrical – 10kA/10kV surge protection standard.

Mounting – Minimum 4" recessed in ground with four-point hot dip galvanized 1/4" A36 steel baseplate. For accurate installation a fullscale mounting template is provided with each bollard and anchor bolt order. Fixture weight: 328 lbs.

Handhole Cover – Grounded stainless steel plate with precast concrete secured with vandal resistant torx fastener.

Labels – cCSAus certified as luminaire suitable for wet locations.

Certifications & Qualifications –

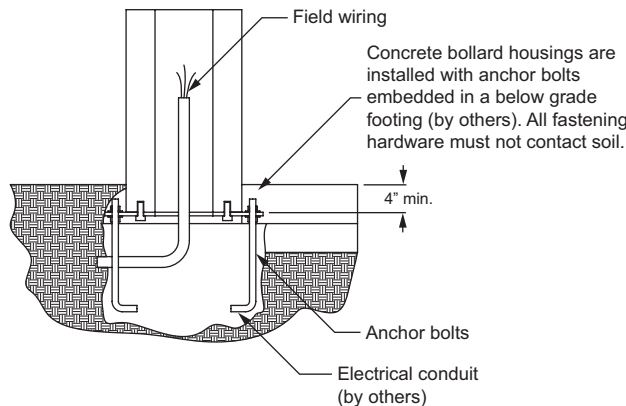
- Calculated L70 lumen maintenance will exceed 50,000 hours per IES TM-21
- IDA Dark-Sky approved
- Tested to IES LM-79-08 standards
- RoHS compliant
- IP66 rated

Warranty – 5-year limited warranty, see [hew.com/warranty](http://www.hew.com/warranty).

FIXTURE PERFORMANCE DATA

LED Package	Voltage	Flux (lm)	CRI	Wattage
L6/830	120	579	81	17
L6/840	120	593	82	17
L6/850	120	606	83	17
L6/830	208	546	81	16
L6/840	208	559	82	16
L6/850	208	571	83	16
L6/830	240	615	81	19
L6/840	240	630	82	19
L6/850	240	644	83	19
L6/830	277	618	81	20
L6/840	277	633	82	20
L6/850	277	647	83	20
L6/830	347	576	81	19
L6/840	347	590	82	19
L6/850	347	603	83	19
L6/830	480	615	81	19
L6/840	480	630	82	19
L6/850	480	644	83	19

MOUNTING DETAILS



MOUNTING TEMPLATE

Mounting template is provided with each order. A pdf file (not to scale) of the mounting template is available at www.hew.com.

