

# MEDIUM TRAPEZOID WALL PACK

# WPTZ

CATALOG #: \_\_\_\_\_ TYPE: \_\_\_\_\_

PROJECT: \_\_\_\_\_

NOTES: \_\_\_\_\_

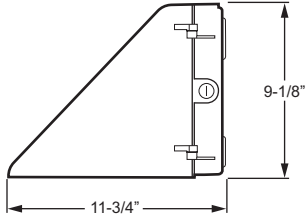
**LED**

**EXAMPLE** → **WPTZ - L38/750 - OPTIONS - DIM - UNV**

SERIES      LUMEN PACKAGE      CRI & CCT      OPTIONS/ACCESSORIES      DRIVER      VOLTAGE



## CROSS SECTION



14-1/4" x 9-1/8" x 11-3/4"

## ORDERING INFORMATION

### SERIES

**WPTZ** Medium Trapezoid Wall Pack

### LED PACKAGE

EXAMPLE: L38/750			AVERAGE SYSTEM WATTAGE
LUMEN PACKAGE	NOMINAL LUMENS	MINIMUM CRI & CCT	
<b>L38</b>	3800	<b>750</b> = 70 CRI, 5000K	42

### OPTIONS

<b>SF</b>	Single fuse (120V or 277V only; must specify voltage)
<b>DF</b>	Double fuse (208V or 240V only; must specify voltage)
<b>SP2</b>	2.5kV surge protection
<b>PC</b>	Factory-installed photocell (120V, 208V and 277V only, must specify voltage)

### ACCESSORIES (only one lens-mounted accessory per fixture)

Only one lens-mounted accessory per fixture. See page 2 for details.

<b>PVS</b>	Polycarbonate vandal shield
<b>WG</b>	Stainless steel wireguard
<b>Y</b>	Adjustable yoke mount allows 40° vertical swivel (hardware included)

### DRIVER

**DIM** 10% dimming driver prewired for 0-10V low voltage applications

### VOLTAGE

<b>120</b>	120V
<b>208</b>	208V
<b>240</b>	240V
<b>277</b>	277V
<b>UNV</b>	120-277V
<b>347</b>	347V
<b>480</b>	480V

## FEATURES

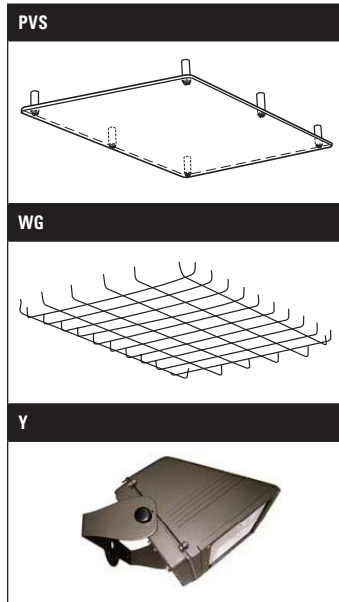
- ▶ Dark bronze finish only.
- ▶ Clear glass lens standard.
- ▶ Fully gasketed for wet locations.
- ▶ Provides full cutoff.
- ▶ Optional stainless steel wireguard, vandal shield, and adjustable yoke mount lenses are available.
- ▶ 1/2" NPS threaded hub and plugged conduit entry points.

## LED

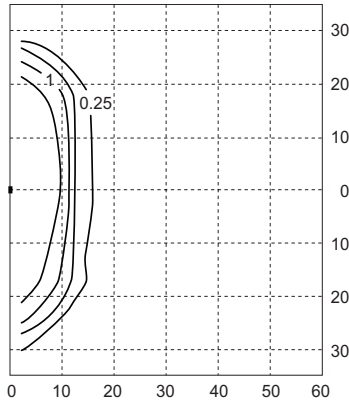
### SPECIFICATIONS

- Housing** – Heavy-duty die-cast aluminum construction.
- Lens** – Heat and impact-resistant clear tempered glass standard.
- Finish** – Powder coated on heavy-duty die-cast housing. Dark bronze finish only.
- Electrical** – Electronic 120-277V or 347/480V dimmable driver. Metal core PCB LED array.
- Mounting** – Wall mounts directly over a 4" maximum recessed outlet box or accepts 1/2" surface conduit.
- Labels** – cCSAus listed to STD22.2 No. 250.0 certified as luminaire suitable for wet locations. 40°C maximum ambient operating temperature.
- Warranty** – 5-year limited warranty.

### ACCESSORIES



### FOOTCANDLE DISTRIBUTION



FIXTURE: **WPTZ-L38/750**

Footcandle calculations based on standard building reflectance of .10 with a ground reflectance of .0 and a light loss factor of .90.

Fixture installed at 12' mounting height.

- ▶ **Efficacy: 90 lm/W**
- ▶ **Flux: 3832 lm**
- ▶ **CRI: 72**
- ▶ **CCT: 5033**
- ▶ **BUG Ratings: B2-U1-G1**

### MOUNTING

