

# 4" CONTINUOUS – RECESSED DRYWALL

# LX4RT

## LED

CATALOG #: \_\_\_\_\_ TYPE: \_\_\_\_\_

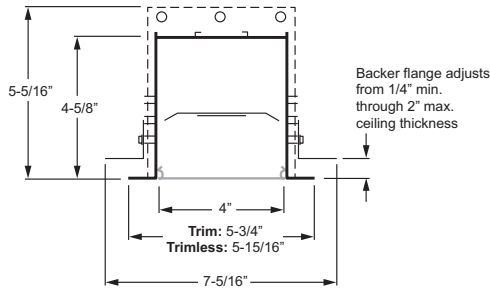
PROJECT: \_\_\_\_\_ NOTES: \_\_\_\_\_

**EXAMPLE** → **LX4RT R - 4 - L8/840 - S - A - OPTIONS - DRV - UNV**

SERIES    FIXTURE STYLE    NOMINAL LENGTH    LUMENS PER FOOT    CRI & CCT    FIXTURE TYPE    SHIELDING    OPTIONS    DRIVER    VOLTAGE



## CROSS SECTION



## ORDERING INFORMATION

**SERIES**  
**LX4RT**    4" Continuous – Recessed Drywall or Hard Surface

**FIXTURE STYLE**  
**R**    Trim  
**L**    Trimless

**NOMINAL LENGTH**  
**See page 3 for actual illuminated length**  
 Stand-alone – 2'-8" nominal lengths specified in 2' increments; fixture ships assembled. Example: **2** = 2'.  
 Row-mount – Row mounted fixtures ship assembled, but must be joined during installation. Specify row lengths per chart on page 3. Example: **36** = 35'-3/8".  
 Contact apps@hew.com for layout assistance.

**LED PACKAGE**  
 Nominal lumens based on 3500K, actual lumens may vary.

**EXAMPLE: L12/840**

LUMEN PACKAGE	NOMINAL LUMENS PER FOOT		MINIMUM CRI & CCT
	STANDARD	ASY OPTION	
<b>L8</b>	800	500	<b>830</b> = 80 CRI, 3000K <b>835</b> = 80 CRI, 3500K <b>840</b> = 80 CRI, 4000K
<b>L12</b>	1,200	800	

**FIXTURE TYPE**  
**See page 3 for actual illuminated length**  
**S**    Stand-alone, 2'-8" nominal  
**F/J**    Row mount for runs greater than 8' nominal

**SHIELDING**  
**A**    Diffuse acrylic

**OPTIONS**  
 For color options, visit the LX4RT online at [hew.com](http://hew.com).  
**EM/10W**    10-watt emergency LED driver (all lumen packages at or below L8; 120-277V only)  
**EM/10W REMOTE**    10-watt emergency LED driver (all lumen packages greater than L8; 120-277V only)  
**ASY**    Asymmetric reflector (reduces fixture output by 34%). Field installed. See page 2 for details.

**ACCESSORIES**  
 See page 2 for details.  
**LX4V90R**    90° transition corner. Connects suspended LX4D or U to vertically mounted trimless recessed LX4RTL  
**LX4RV90R**    90° transition corner. Connects recessed LX4RT to vertically mounted recessed LX4RT.

**DRIVER**  
 Additional dimming drivers available, see [Technical Info](#).  
**DRV**    Driver prewired for non-dimming applications  
**DIM**    10% dimming driver prewired for 0-10V low voltage applications

**VOLTAGE**  
**120**    120V  
**277**    277V  
**UNV**    120-277V  
**347**    347V (not available with EM drivers)

## FEATURES

- ▶ Sleek, linear design incorporates clean lines, slim styling, and a continuous row of light.
- ▶ Lumen output up to 1200 lumens per foot.
- ▶ Available in seamless stand-alone units up to 8' in nominal length or row-mount configurations greater than 8' nominal.
- ▶ Attractive source of direct lighting for use in offices, hallways, conference rooms or common areas.
- ▶ LX4 system includes suspended, wall mount, surface mount, and corner configurations, see [hew.com](http://hew.com).
- ▶ Diffuse acrylic lens shields LEDs from view.
- ▶ Minimum 80 CRI; 3000K, 3500K, or 4000K CCT.
- ▶ This fixture is proudly made in the USA.

**Note:** For corner fixtures, see LX4R90.



# LX4RT

## 4" CONTINUOUS – RECESSED DRYWALL

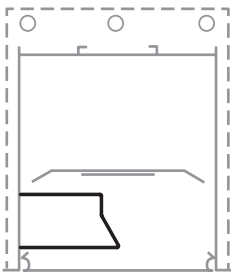
LED

Catalog #: LX4RTR-4-L12/830-A-DIM

### SPECIFICATIONS

- Housing** – Extruded aluminum.
- Shielding** – Extruded diffuse acrylic lens.
- Finish** – 92% minimum average reflective white polyester powder coat bonded to phosphate-free, multi-stage pretreated metal. All parts painted after fabrication to facilitate installation, increase efficiency, and inhibit corrosion.
- Electrical** – High quality mid-power LED boards. L70 >60,000 hours per IES TM-21.
- Mounting** – Drywall mount allowing for ceiling materials 1/4" - 2" thick. Fixture must be installed prior to drywall or finished ceiling material.
- Labels** – cETLus conforms to UL STD 1598. Certified to CAN/CSA STD C22.2 No. 250.0. Suitable for damp locations.
- Warranty** – 5-year limited warranty, see [hew.com/warranty](http://hew.com/warranty).

#### ASYMMETRIC REFLECTOR DETAIL

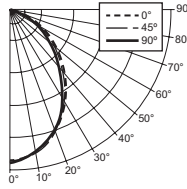


Reflector will shadow 50% of the lens.

### PHOTOMETRY

#### TEST REPORT INFORMATION

- ▶ Test Report #: ATAL010532
- ▶ Date: 08/24/15
- ▶ Lamp Type: LED
- ▶ **Rated Lumens: 4263**
- ▶ **Watts: 47.3**
- ▶ **Lumens Per Watt: 90.1**
- ▶ **CRI: 82.7**
- ▶ **CCT: 3134K**



#### CANDLEPOWER DISTRIBUTION

Vertical Angle	Horizontal Angle			Zonal Lumens
	0°	45°	90°	
0°	1793	1793	1793	
5°	1771	1783	1797	169
15°	1687	1692	1698	476
25°	1521	1514	1505	696
35°	1288	1264	1234	790
45°	1016	980	928	753
55°	738	695	644	620
65°	473	441	402	436
75°	245	231	216	245
85°	70	71	68	77
90°	0	0	0	

#### LUMEN SUMMARY

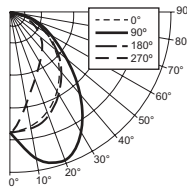
Zone	Lumens	% Fixture
0° - 30°	1342	31.5
0° - 40°	2131	50.0
0° - 60°	3504	82.2
0° - 90°	4263	100.0
<b>Total Luminaire:</b>		
0° - 180°	4263	100.0

### PHOTOMETRY - ASYMMETRIC REFLECTOR

Catalog #: LX4RTR-4-L12/835-A-ASY-DIM

#### TEST REPORT INFORMATION

- ▶ Test Report #: ATAL010650
- ▶ Date: 09/04/15
- ▶ Lamp Type: LED
- ▶ **Rated Lumens: 2962**
- ▶ **Watts: 47.2**
- ▶ **Lumens Per Watt: 62.8**
- ▶ **CRI: 83.9**
- ▶ **CCT: 3588K**



#### CANDLEPOWER DISTRIBUTION

Vertical Angle	Horizontal Angle				Zonal Lumens
	0°	90°	180°	270°	
0°	1111	1111	1111	1111	
5°	1093	1242	1106	998	105
15°	1043	1440	1068	759	304
25°	952	1435	984	612	460
35°	823	1228	854	518	540
45°	667	928	692	437	531
55°	495	627	518	346	449
65°	326	382	340	243	325
75°	171	202	182	138	187
85°	52	67	54	44	61
90°	0	0	0	0	

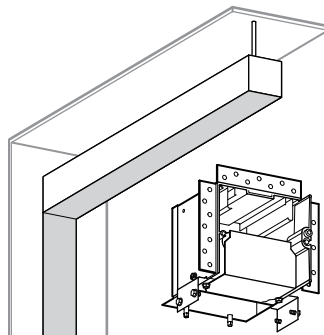
#### LUMEN SUMMARY

Zone	Lumens	% Fixture
0° - 30°	870	29.4
0° - 40°	1410	47.6
0° - 60°	2390	80.7
0° - 90°	2962	100.0
<b>Total Luminaire:</b>		
0° - 180°	2962	100.0

### TRANSITION CORNER ACCESSORIES

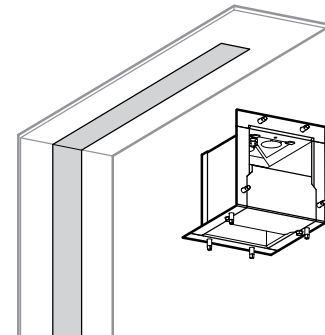
Includes tamper resistant lens bracket for lower end of vertical fixture.

#### LX4V90R



Trimless version shown in drywall

#### LX4RV90R



Drywall only



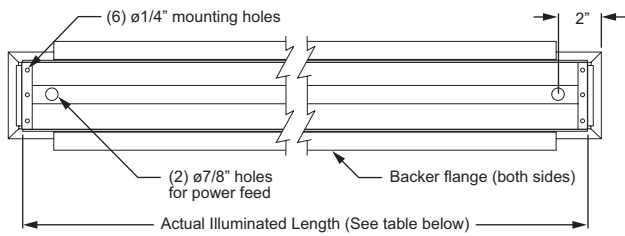
# 4" CONTINUOUS – RECESSED DRYWALL

# LX4RT

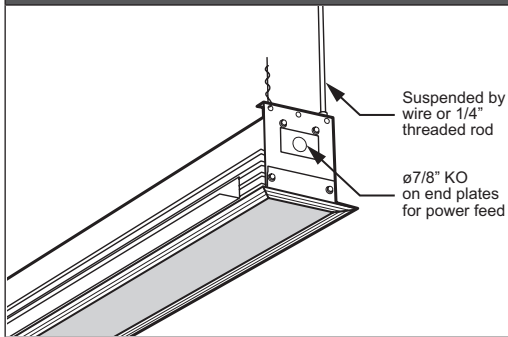
## LED

### FIXTURE DETAILS

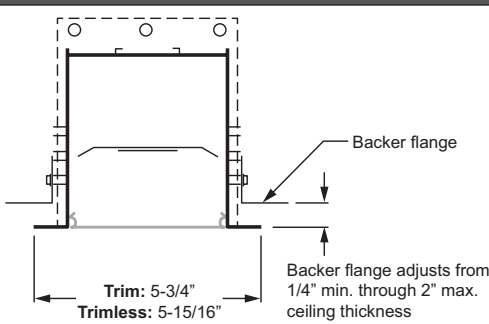
#### BACK VIEW



#### ISOMETRIC END VIEW

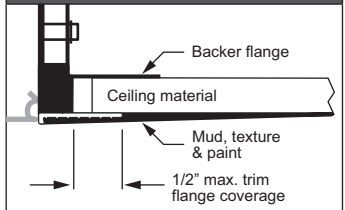


#### CROSS SECTION

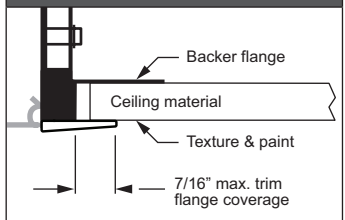


### TRIM FINISH DETAILS

#### TRIMLESS



#### TRIM



### LENGTH CONFIGURATIONS

NOMINAL LENGTH	ACTUAL ILLUMINATED LENGTH	TOTAL FIXTURE LUMENS		FIXTURE CONFIGURATIONS						
		LOW LUMENS	HIGH LUMENS							
2	1', 10-1/8"	1,400	2,200	2' S						
4	3', 8-1/4"	2,900	4,400	4' S						
6	5', 6-3/8"	4,400	6,600	6' S						
8	7', 4-1/2"	5,900	8,800	8' S						
10	9', 2-5/8"	7,300	11,000	4' F	6' J					
12	11', 3/4"	8,800	13,200	4' F	8' J					
13	12', 10-7/8"	10,300	15,400	6' F	8' J					
15	14', 9"	11,800	17,700	8' F	8' J					
17	16', 7-1/8"	13,200	19,900	4' F	6' J	8' J				
19	18', 5-1/4"	14,700	22,100	4' F	8' J	8' J				
21	20', 3-3/8"	16,200	24,300	6' F	8' J	8' J				
23	22', 1-1/2"	17,700	26,500	8' F	8' J	8' J				
24	23', 11-5/8"	19,100	28,700	4' F	6' J	8' J	8' J			
26	25', 9-3/4"	20,600	30,900	4' F	8' J	8' J	8' J			
28	27', 7-7/8"	22,100	33,100	6' F	8' J	8' J	8' J			
30	29', 6"	23,600	35,400	8' F	8' J	8' J	8' J			
32	31', 4-1/8"	25,000	37,600	4' F	6' J	8' J	8' J	8' J		
34	33', 2-1/4"	26,500	39,800	4' F	8' J	8' J	8' J	8' J		
36	35', 3/8"	28,000	42,000	6' F	8' J	8' J	8' J	8' J		
37	36', 10-1/2"	29,500	44,200	8' F	8' J	8' J	8' J	8' J		
39	38', 8-5/8"	30,900	46,400	4' F	6' J	8' J	8' J	8' J	8' J	
41	40', 6-3/4"	32,400	48,600	4' F	8' J	8' J	8' J	8' J	8' J	
43	42', 4-7/8"	33,900	50,800	6' F	8' J	8' J	8' J	8' J	8' J	
45	44', 3"	35,400	53,100	8' F	8' J	8' J	8' J	8' J	8' J	
47	46', 1-1/8"	36,800	55,300	4' F	6' J	8' J	8' J	8' J	8' J	8' J
48	47', 11-1/4"	38,300	57,500	4' F	8' J	8' J	8' J	8' J	8' J	8' J
50	49', 9-3/8"	39,800	59,700	6' F	8' J	8' J	8' J	8' J	8' J	8' J

TYPE	
S	Stand-Alone
F	Feeder
J	Joiner

### ROUGH-IN DIMENSIONS

- ▶ Framing allowance for width (Type S) is 5-1/2" minimum.
- ▶ Framing allowance for width (Types F & J) is 14-1/2" for access to cinching screws.
- ▶ Framing allowance for length (All Types) is ACTUAL ILLUMINATED LENGTH plus 1-1/2" minimum.

### SYSTEM WATTAGE

NOMINAL LENGTH	AVERAGE WATTAGE	
	L8	L12
2'	17	28
4'	31	52
6'	50	74
8'	62	104

To calculate system wattage for nominal lengths greater than 8', use the table on the left to determine the fixture configuration and add their wattages from the table above.

