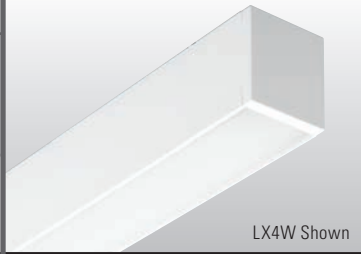


# 4" CONTINUOUS – WALL MOUNT

# LX4W

## LED



LX4W Shown

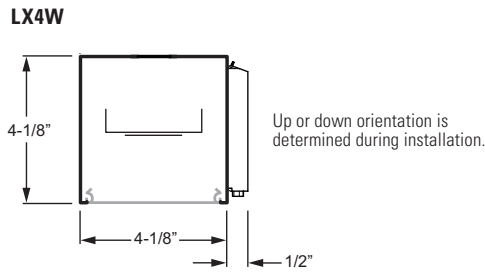
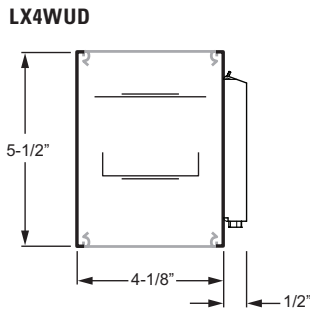
CATALOG #: \_\_\_\_\_ TYPE: \_\_\_\_\_

PROJECT: \_\_\_\_\_ NOTES: \_\_\_\_\_

**EXAMPLE** → **LX4W-4-L12/840-S-A-OPTIONS-DRV-UNV**

SERIES
NOM. LENGTH
LUMENS PER FOOT
CRI & CCT
FIXTURE TYPE
SHIELDING
OPTIONS
DRIVER
VOLTAGE

## CROSS SECTION



## FEATURES

- ▶ Sleek, linear design incorporates clean lines, slim styling, and a continuous row of light.
- ▶ Lumen output up to 1200 lumens per foot.
- ▶ Available in seamless stand-alone units up to 12' in nominal length or row-mount configurations greater than 12' nominal.
- ▶ Fixture attaches to wall bracket for simple installation.
- ▶ Linear extrusion contains snap-in light cartridges for ease of installation and maintenance.
- ▶ LX4 system includes suspended, recessed, surface mount, and corner configurations, see hew.com.
- ▶ Diffuse acrylic lens shields LEDs from view.
- ▶ This fixture is proudly made in the USA.

## ORDERING INFORMATION

SERIES	
<b>LX4W</b>	4" Continuous – Wall Mount Up or Down
<b>LX4WUD</b>	4" Continuous – Wall Mount Up Down (not available with 2' fixtures)

SHIELDING	
<b>A</b>	Diffuse acrylic

**NOMINAL LENGTH**

See page 3 for actual illuminated length

Stand-alone – 2'-12' nominal lengths specified in 2' increments; fixture ships assembled.  
Example: **2** = 2'.

Row-mount – Row mounted fixtures unassembled.  
Specify lengths per chart on page 3.  
Example: **36** = 35'-3/8".

Contact apps@hew.com for layout assistance.

OPTIONS	
For color options, visit the LX4W online at <a href="http://hew.com">hew.com</a> .	
<b>EM/10W</b>	10-watt emergency LED battery, 120-277V only, LX4W only
<b>EM/10W REMOTE</b>	Remote mount 10-watt emergency LED battery, 120-277V only, LX4WUD
<b>OCC__</b>	Factory-installed end-mount occupancy sensor (120V or 277V only) adds 6" to overall nominal length of fixture run: <b>OCCWS FS-355-L6</b> See page 2 for details.
<b>ASY</b>	Asymmetric reflector (reduces fixture output by 34%). Field installed. For LX4WUD, only available in downlight. See page 2 for details.

**LED PACKAGE**

Nominal lumens based on 3500K, actual lumens may vary.

**LX4W**

EXAMPLE: L12/840			
LUMEN PACKAGE	NOMINAL LUMENS PER FOOT		MINIMUM CRI & CCT
	STANDARD	ASY OPTION	
<b>L8</b>	800	500	<b>827</b> = 80 CRI, 2700K
			<b>830</b> = 80 CRI, 3000K
<b>L12</b>	1,200	800	<b>835</b> = 80 CRI, 3500K
			<b>840</b> = 80 CRI, 4000K

**DRIVER**

Additional dimming drivers available, see [Technical Info](#).  
Not available with DIMU/DIMD.

**LX4WUD**

Specify lumen packages: **U** for Uplight and **D** for Downlight.

EXAMPLE: L12/840U/L12/840D			
<b>L8</b>	800	<b>827</b> = 80 CRI, 2700K <b>830</b> = 80 CRI, 3000K <b>835</b> = 80 CRI, 3500K <b>840</b> = 80 CRI, 4000K	<b>U or D</b>

<b>LX4W</b>	
<b>DRV</b>	Driver prewired for non-dimming applications
<b>DIM</b>	10% dimming driver prewired for 0-10V low voltage applications
<b>LX4WUD</b>	
<b>DRV</b>	Non dimming - entire fixture switches together
<b>DIM</b>	Entire fixture switches and dims together
<b>DRVU/DRVD</b>	Non dimming - up and down portions switch separately
<b>DRVU/DIMD</b>	Up and down portions switch separately; 0-10V on down portion only
<b>DIMU/DRVD</b>	Up and down portions switch separately; 0-10V on up portion only

**FIXTURE TYPE**

See page 3 for actual illuminated length

**S** Stand-alone, 2'-12' nominal

**F/JA/JB** Row mount for runs greater than 12' nominal

VOLTAGE	
<b>120</b>	120V
<b>277</b>	277V
<b>UNV</b>	120-277V
<b>347</b>	347V (not available with EM drivers)



# LX4W

# 4" CONTINUOUS – WALL MOUNT

LED

Catalog #: LX4W-4-L12/830-A-DIM

## SPECIFICATIONS

**Housing** – Extruded aluminum with die-cast end plates.

**Shielding** – Extruded diffuse acrylic lens.

**Finish** – Textured matte white polyester TGIC powder coat bonded to phosphate-free, multi-stage pretreated metal. All parts painted after fabrication to facilitate installation, increase efficiency, and inhibit corrosion.

**Electrical** – High quality mid-power LED boards. L70 >60,000 hours per IES TM-21. 25°C maximum ambient operating temperature

**Mounting** – Wall mount. Powder coated, die-formed C.R.S. receiving bracket mounted to fixture which attaches to galvanized, wall mounted bracket.

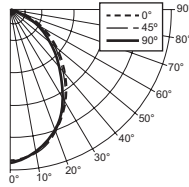
**Labels** – cETLus conforms to UL STD 1598. Certified to CAN/CSA STD C22.2 No. 250.0. Suitable for damp locations.

**Warranty** – 5-year limited warranty, see [hew.com/warranty](http://hew.com/warranty).

## PHOTOMETRY

### TEST REPORT INFORMATION

- ▶ Test Report #: ATAL010532
- ▶ Date: 08/24/15
- ▶ Lamp Type: LED
- ▶ **Rated Lumens: 4263**
- ▶ **Watts: 47.3**
- ▶ **Lumens Per Watt: 90.1**
- ▶ **CRI: 82.7**
- ▶ **CCT: 3134K**



### CANDLEPOWER DISTRIBUTION

Vertical Angle	Horizontal Angle			Zonal Lumens
	0°	45°	90°	
0°	1793	1793	1793	
5°	1771	1783	1797	169
15°	1687	1692	1698	476
25°	1521	1514	1505	696
35°	1288	1264	1234	790
45°	1016	980	928	753
55°	738	695	644	620
65°	473	441	402	436
75°	245	231	216	245
85°	70	71	68	77
90°	0	0	0	

### LUMEN SUMMARY

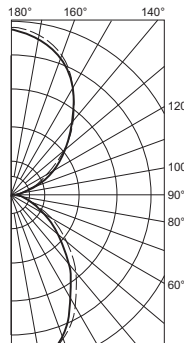
Zone	Lumens	% Fixture
0° - 30°	1342	31.5
0° - 40°	2131	50.0
0° - 60°	3504	82.2
0° - 90°	4263	100.0
<b>Total Luminaire:</b>		
0° - 180°	4263	100.0

## PHOTOMETRY – UP/DOWN

Catalog #: LX4WUD-4-L12/830U/L12/830D-A-DRVU-DRVU-UNV

### TEST REPORT INFORMATION

- ▶ Test Report #: ATAL010535
- ▶ Date: 09/04/15
- ▶ Lamp Type: LED
- ▶ **Rated Lumens: 8210**
- ▶ **Watts: 87.0**
- ▶ **Lumens Per Watt: 94.4**
- ▶ **CRI: 82.8**
- ▶ **CCT: 3140K**



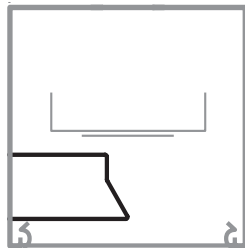
### CANDLEPOWER DISTRIBUTION

Vertical Angle	Horizontal Angle			Zonal Lumens
	0°	45°	90°	
0°	1800	1800	1800	
5°	1780	1789	1800	170
15°	1694	1696	1693	477
25°	1525	1499	1477	690
35°	1279	1233	1183	770
45°	995	936	864	721
55°	709	652	584	584
65°	445	411	367	408
75°	230	217	198	230
85°	65	70	66	77
90°	7	16	19	
95°	51	57	58	67
105°	213	218	212	230
115°	427	429	413	422
125°	685	677	655	602
135°	958	946	926	729
145°	1229	1210	1197	758
155°	1459	1442	1431	664
165°	1623	1600	1598	452
175°	1703	1684	1683	160
180°	1702	1702	1702	

### LUMEN SUMMARY

Zone	Lumens	% Fixture
0 - 30	1336	16.3
0 - 40	2106	25.6
0 - 60	3411	41.5
0 - 90	4126	50.3
90 - 120	718	8.8
90 - 130	1321	16.1
90 - 150	2808	34.2
90 - 180	4084	49.7
<b>Total Luminaire:</b>		
0 - 180	8210	100.0

### ASYMMETRIC REFLECTOR DETAIL



Reflector will shadow 50% of the lens.

### OCCUPANCY SENSOR DETAIL

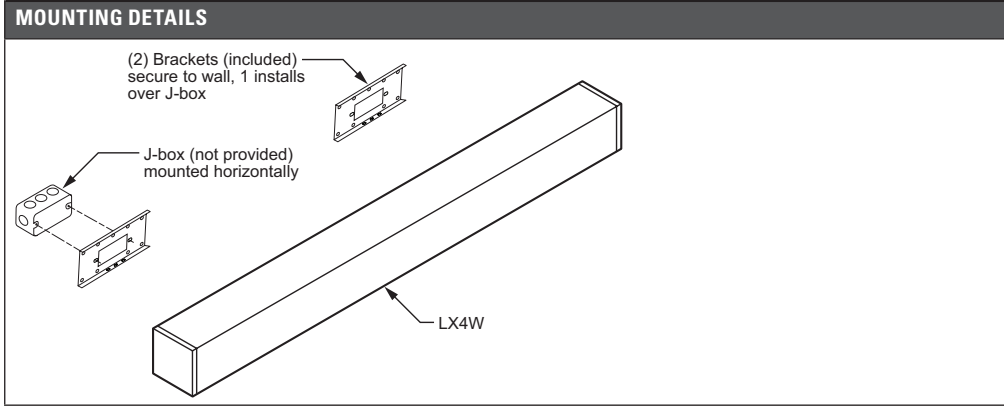
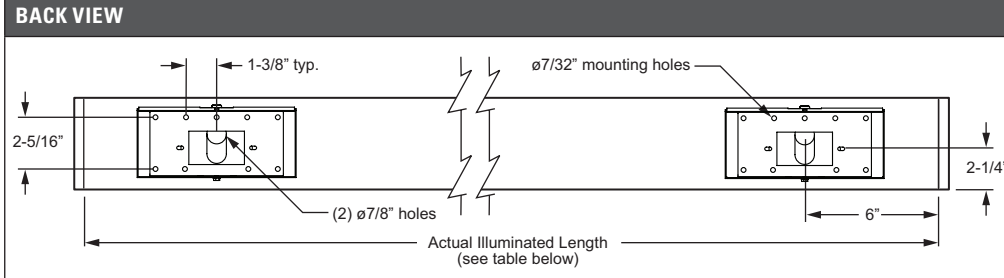


# 4" CONTINUOUS – WALL MOUNT

# LX4W

## LED

### FIXTURE DETAILS



### LENGTH CONFIGURATIONS

For UD fixtures, total fixture lumens specified per distribution.

NOMINAL LENGTH	ACTUAL ILLUMINATED LENGTH	TOTAL FIXTURE LUMENS		FIXTURE CONFIGURATIONS						
		LOW LUMENS	HIGH LUMENS							
2'	1', 10-1/8"	1,400	2,200	2' S	* Not available in LX4WUD.					
4'	3', 8-1/4"	2,900	4,400	4' S						
6'	5', 6-3/8"	4,400	6,600	6' S						
8'	7', 4-1/2"	5,900	8,800	8' S						
10'	9', 2-5/8"	7,300	11,000	10' S						
12'	11', 3/4"	8,800	13,200	12' S						
13'	12', 10-7/8"	10,300	15,400	6' F	8' JA					
15'	14', 9"	11,800	17,700	8' F	8' JA					
17'	16', 7-1/8"	13,200	19,900	6' F	6' JA	6' JB				
19'	18', 5-1/4"	14,700	22,100	8' F	4' JA	8' JB				
21'	20', 3-3/8"	16,200	24,300	8' F	6' JA	8' JB				
23'	22', 1-1/2"	17,700	26,500	8' F	8' JA	8' JB				
24'	23', 11-5/8"	19,100	28,700	4' F	6' JA	8' JB	8' JA			
26'	25', 9-3/4"	20,600	30,900	4' F	8' JA	8' JB	8' JA			
28'	27', 7-7/8"	22,100	33,100	6' F	8' JA	8' JB	8' JA			
30'	29', 6"	23,600	35,400	8' F	8' JA	8' JB	8' JA			
32'	31', 4-1/8"	25,000	37,600	4' F	6' JA	8' JB	8' JA	8' JB		
34'	33', 2-1/4"	26,500	39,800	4' F	8' JA	8' JB	8' JA	8' JB		
36'	35', 3/8"	28,000	42,000	6' F	8' JA	8' JB	8' JA	8' JB		
37'	36', 10-1/2"	29,500	44,200	8' F	8' JA	8' JB	8' JA	8' JB		
39'	38', 8-5/8"	30,900	46,400	4' F	6' JA	8' JB	8' JA	8' JB	8' JA	
41'	40', 6-3/4"	32,400	48,600	4' F	8' JA	8' JB	8' JA	8' JB	8' JA	
43'	42', 4-7/8"	33,900	50,800	6' F	8' JA	8' JB	8' JA	8' JB	8' JA	
45'	44', 3"	35,400	53,100	8' F	8' JA	8' JB	8' JA	8' JB	8' JA	
47'	46', 1-1/8"	36,800	55,300	4' F	6' JA	8' JB	8' JA	8' JB	8' JA	8' JB
48'	47', 11-1/4"	38,300	57,500	4' F	8' JA	8' JB	8' JA	8' JB	8' JA	8' JB
50'	49', 9-3/8"	39,800	59,700	6' F	8' JA	8' JB	8' JA	8' JB	8' JA	8' JB

TYPE	
S	Stand-Alone
F	Feeder
JA	Joiner-A
JB	Joiner-B

### SYSTEM WATTAGE

NOMINAL LENGTH	AVERAGE WATTAGE	
	L8	L12
2'	17	28
4'	31	52
6'	50	74
8'	62	104
10'	81	126
12'	93	156

### LX4WUD

NOMINAL LENGTH	AVERAGE WATTAGE	
	L8	L12
4'	62	96
6'	95	136
8'	122	186
10'	157	232
12'	184	282

To calculate system wattage for nominal lengths greater than 12', use the table on the left to determine the fixture configuration and add their wattages from the tables above.

