

# 4" CONTINUOUS – SUSPENDED CORNER

# LX490

LED

CATALOG #:

TYPE:

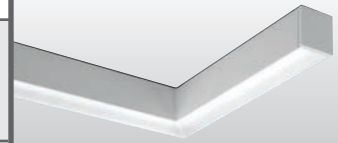
PROJECT:

NOTES:

EXAMPLE

**LX490 D - L12/840 - R - A - OPTIONS - DRV - UNV**

SERIES DISTRIBUTION LUMENS PER FOOT CRI & CCT FIXTURE TYPE SHIELDING OPTIONS/ACCESSORIES DRIVER VOLTAGE



LX490D Shown

## ORDERING INFORMATION

### SERIES

**LX490** 4" Continuous – Suspended Corner

### DISTRIBUTION

**D** Down  
**U** Up  
**UD** Up and Down

### LED PACKAGE

Nominal lumens based on 3500K, actual lumens may vary.

#### UPLIGHT OR DOWNLIGHT ONLY

EXAMPLE: L12/840

LUMEN PACKAGE	NOMINAL LUMENS PER FOOT	MINIMUM CRI & CCT
<b>L8</b>	800	<b>830</b> = 80 CRI, 3000K
		<b>835</b> = 80 CRI, 3500K
<b>L12</b>	1,200	<b>840</b> = 80 CRI, 4000K

#### UP & DOWNLIGHT ONLY

Specify lumen packages: **U** for Uplight and **D** for Downlight.

EXAMPLE: L12/840U/L12/840D

LUMEN PACKAGE	NOMINAL LUMENS PER FOOT	MINIMUM CRI & CCT	U or D
<b>L8</b>	800	<b>830</b> = 80 CRI, 3000K	
		<b>835</b> = 80 CRI, 3500K	
<b>L12</b>	1,200	<b>840</b> = 80 CRI, 4000K	

### FIXTURE TYPE

**L** Left hand  
**R** Right hand

### SHIELDING

**A** Diffuse acrylic

### OPTIONS

For color options, visit the LX490 online at [hew.com](http://hew.com).

### ACCESSORIES

**ACF/48** 48" adjustable aircraft cable  
**ACF/96** 96" adjustable aircraft cable  
**MSF** Microstem, 1/4" IPS, specify length in inches (LX490D only)  
**LX4V90R** 90° transition corner. Connects suspended LX4D or U to vertically mounted trimless recessed LX4RTL See page 2 for details.

### DRIVER

Additional dimming drivers available, see [Technical Info](#).

**DRV** Driver prewired for non-dimming applications (applies to entire fixture in UD application)

**DIM** 10% dimming driver prewired for 0-10V low voltage applications (applies to entire fixture in UD application)

For separate switching of up and down distributions, specify drivers: **U** for Uplight and **D** for Downlight.

EXAMPLE: **DRVU/DIMD**

### VOLTAGE

**120** 120V  
**277** 277V  
**UNV** 120-277V  
**347** 347V

## FEATURES

- ▶ Sleek, linear design incorporates clean lines, slim styling, and a continuous row of light.
- ▶ Lumen output up to 1200 lumens per foot.
- ▶ Attractive source of direct lighting for use in offices, hallways, conference rooms or common areas.
- ▶ Moveable mounting hardware easily slides along the length of the fixture providing variable mounting points.
- ▶ Linear extrusion contains snap-in light cartridges for ease of installation and maintenance.
- ▶ LX4 system includes suspended, recessed, surface mount, and wall mount, see [hew.com](http://hew.com).
- ▶ Diffuse acrylic lens shields LEDs from view.
- ▶ Standard 24" aircraft cable mounting hardware provided.
- ▶ Minimum 80 CRI; 3000K, 3500K, or 4000K CCT.
- ▶ This fixture is proudly made in the USA.

## SPECIFICATIONS

**Housing** – Extruded aluminum with die-cast end plates.

**Shielding** – Extruded diffuse acrylic lens.

**Finish** – Textured matte white polyester TGIC powder coat bonded to phosphate-free, multi-stage pretreated metal. All parts painted after fabrication to facilitate installation, increase efficiency, and inhibit corrosion.

**Electrical** – High quality mid-power LED boards. L70 >60,000 hours per IES TM-21.

**Mounting** – Suspended. 1/16" diameter adjustable steel leveling aircraft cable and mounting hardware necessary for grid ceiling applications provided.

**Labels** – cETLus conforms to UL STD 1598. Certified to CAN/CSA STD C22.2 No. 250.0. Suitable for damp locations.

**Warranty** – 5-year limited warranty, see [hew.com/warranty](http://hew.com/warranty).



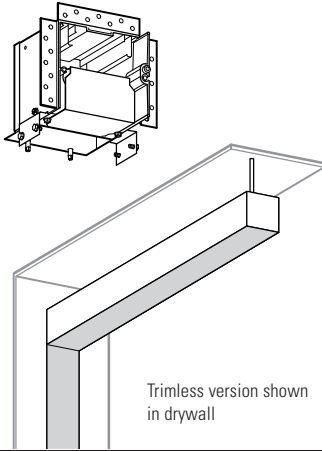
# LX490

## 4" CONTINUOUS – SUSPENDED CORNER

LED

### LX490R CORNER ACCESSORY

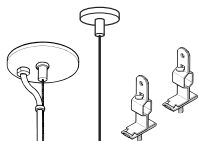
Includes tamper resistant lens bracket for lower end of vertical fixture.



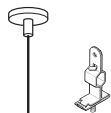
Trimless version shown in drywall

### STANDARD HARDWARE

#### Power End/Stand-Alone



#### Row Mount Support

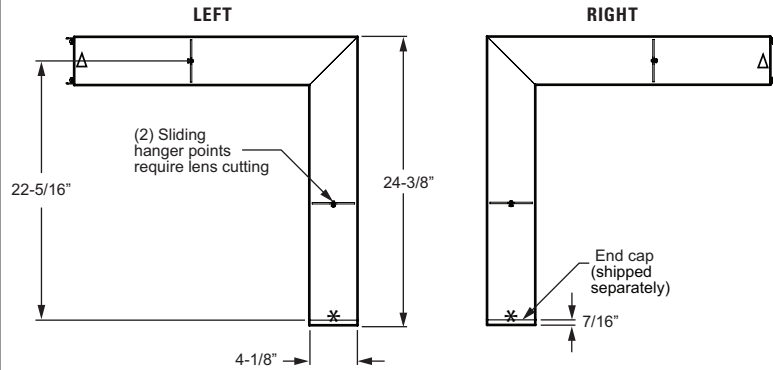


### Notes:

- ▶ Fixtures are provided with adjustable length aircraft cables and choice of T-bar (standard) or optional hard pan ceiling hardware, must specify.
- ▶ Electrical supply is brought into the feeder (or stand-alone) fixture, either as part of a row or as an individual mount unit. Power feed locations are 2" (downlight) or 6" (uplight) from the end of fixture, and at end of fixture (up/down).
- ▶ One 5" canopy included for each feeder fixture. One 2" canopy included for each additional fixture required in a row.

### CORNER CONFIGURATIONS

#### LX490U | LX490UD BACK VIEW

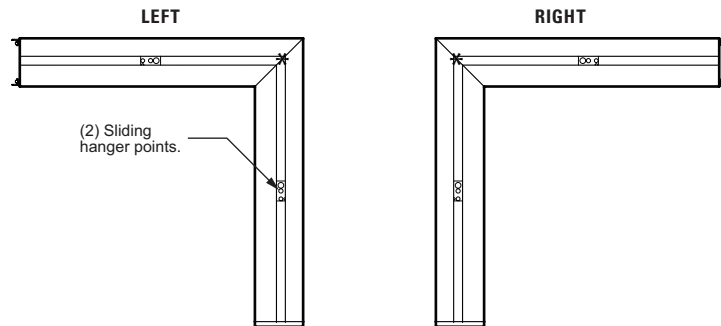


Orientation is determined by power flow from power entry to end of row.

\* = Primary cord location, when specified with cord.

Δ = Secondary cord location on LX490UD only, if required. Consult factory.

#### LX490D BACK VIEW

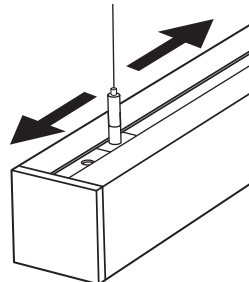


\* = Primary cord location, when specified with cord.

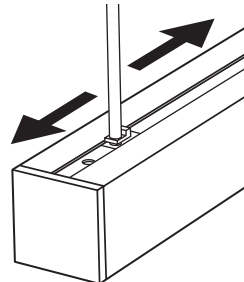
### FIXTURE DETAILS

#### LX4D MOUNTING DETAIL

##### AIRCRAFT CABLE DETAIL

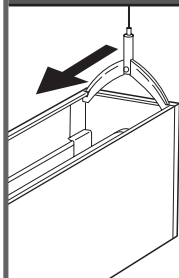


##### MICROSTEM DETAIL

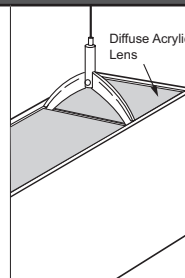


Aircraft cable and microstem mounting accessories can be repositioned along the length of the channel, providing flexible mounting locations to suit any application. Lock into place using a #8 screw (provided).

#### LX4U, LX4UD INDIRECT HANGER DETAIL



Indirect hanger can be repositioned along the length of the channel providing flexible mounting locations to suit any application.



Diffuse acrylic lens is used in conjunction with indirect hanger bracket. Depending on desired location of indirect hanger, the lens may have to be cut to fit around the bracket.