

4" CONTINUOUS – RECESSED CORNER

LX4R90

LED

CATALOG #: _____ TYPE: _____

PROJECT: _____ NOTES: _____



LX4R90TR Shown

EXAMPLE → **LX4R90 G - L12/840 - JR - A - OPTIONS - DRV - UNV**

SERIES CEILING TYPE LUMENS PER FOOT CRI & CCT FIXTURE TYPE SHIELDING OPTIONS DRIVER VOLTAGE

ORDERING INFORMATION

SERIES
LX4R90 4" Continuous – Recessed Corner

CEILING TYPE

G NEMA Type "G" (Earthquake clips provided.)
TR Trim (Drywall or hard surface)
TL Trimless (Drywall or hard surface)

LED PACKAGE
 Nominal lumens based on 3500K, actual lumens may vary.

EXAMPLE: L12/840		
LUMEN PACKAGE	NOMINAL LUMENS PER FOOT	MINIMUM CRI & CCT
L8	800	830 = 80 CRI, 3000K 835 = 80 CRI, 3500K
L12	1,200	840 = 80 CRI, 4000K

FIXTURE TYPE

FL Feeder-Left hand
FR Feeder-Right hand
JL Joiner-Left hand
JR Joiner-Right hand

SHIELDING
A Diffuse acrylic

OPTIONS
 For color options, visit the LX4R90 online at hew.com.

ACCESSORIES
 See page 2 for details.
LX4V90R 90° transition corner. Connects suspended LX4D or U to vertically mounted trimless recessed LX4RTL.
LX4RV90R 90° transition corner. Connects recessed LX4RT to vertically mounted recessed LX4RT.

DRIVER
 Additional dimming drivers available, see [Technical Info](#).
DRV Driver prewired for non-dimming applications
DIM 10% dimming driver prewired for 0-10V low voltage applications

VOLTAGE

120 120V
277 277V
UNV 120-277V
347 347V

FEATURES

- ▶ Sleek, linear design incorporates clean lines, slim styling, and a continuous row of light.
- ▶ Lumen output up to 1200 lumens per foot.
- ▶ Attractive source of direct lighting for use in offices, hallways, conference rooms or common areas.
- ▶ LX4 system includes suspended, wall mount, and surface mount, see hew.com.
- ▶ Diffuse acrylic lens shields LEDs from view.
- ▶ Minimum 80 CRI; 3000K, 3500K, or 4000K, CCT.
- ▶ This fixture is proudly made in the USA.



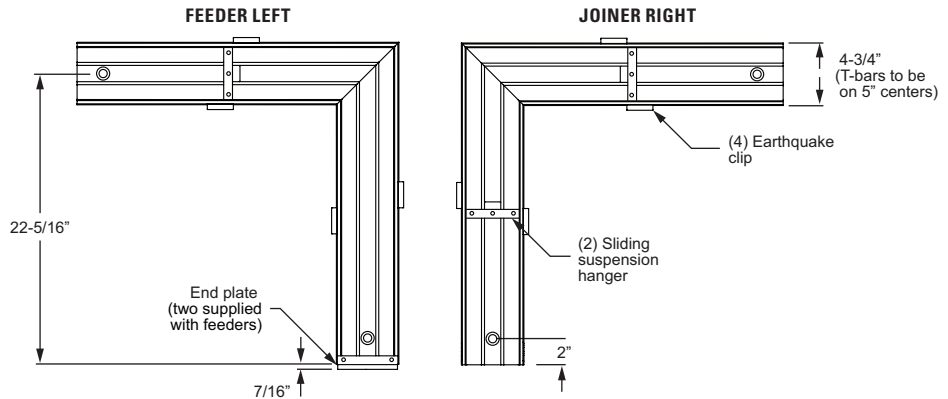
LX4R90

4" CONTINUOUS – RECESSED CORNER

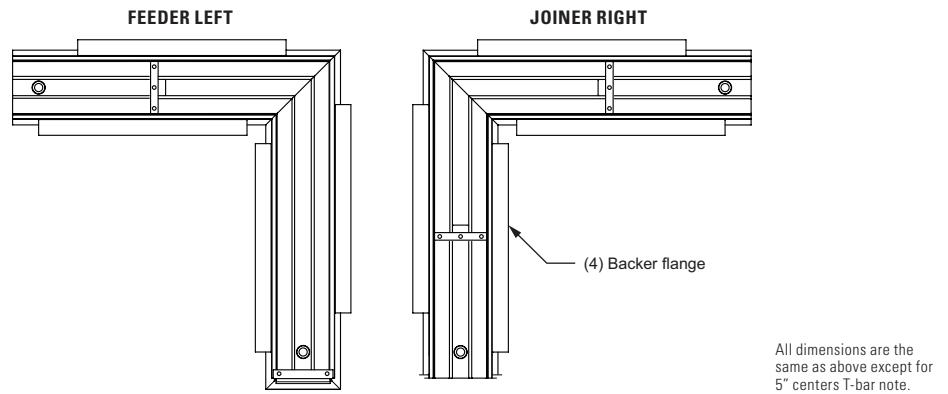
LED

CORNER CONFIGURATIONS

LX4R90G BACK VIEW



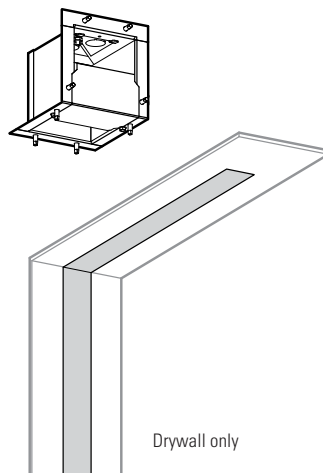
LX4R90TR | LX4R90TL BACK VIEW



TRANSITION CORNER ACCESSORIES

Includes tamper resistant lens bracket for lower end of vertical fixture.

LX4RV90R



SPECIFICATIONS

Housing – Extruded aluminum.

Shielding – Extruded diffuse acrylic lens.

Finish – 92% minimum average reflective white polyester powder coat bonded to phosphate-free, multi-stage pretreated metal. All parts painted after fabrication to facilitate installation, increase efficiency, and inhibit corrosion.

Electrical – High quality mid-power LED boards. L70 >60,000 hours per IES TM-21.

Mounting – NEMA Type "G" standard.

Labels – cETLus conforms to UL STD 1598. Certified to CAN/CSA STD C22.2 No. 250.0. Suitable for damp locations.

Warranty – 5-year limited warranty, see hew.com/warranty.