

4" CONTINUOUS – SURFACE MOUNT CORNER

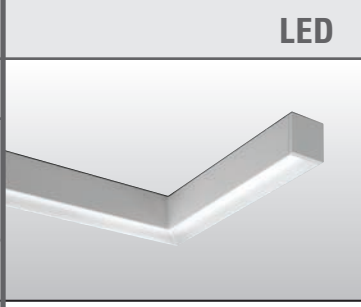
LX4S90

CATALOG #: _____ TYPE: _____

PROJECT: _____ NOTES: _____

EXAMPLE → **LX4S90** - **L12/840** - **R** - **A** - **OPTIONS** - **DRV** - **UNV**

SERIES LUMENS PER FOOT CRI & CCT FIXTURE TYPE SHIELDING OPTIONS DRIVER VOLTAGE



ORDERING INFORMATION

SERIES
LX4S90 4" Continuous – Surface Mount Corner

LED PACKAGE
 Nominal lumens based on 3500K, actual lumens may vary.

EXAMPLE: L12/840		
LUMEN PACKAGE	NOMINAL LUMENS PER FOOT	MINIMUM CRI & CCT
L8	800	830 = 80 CRI, 3000K 835 = 80 CRI, 3500K 840 = 80 CRI, 4000K
L12	1,200	

FIXTURE TYPE

L Left hand
R Right hand

SHIELDING

A Diffuse acrylic

OPTIONS
 For color options, visit the LX4S90 online at hew.com.

DRIVER
 Additional dimming drivers available, see [Technical Info](#).

DRV Driver prewired for non-dimming applications
DIM 10% dimming driver prewired for 0-10V low voltage applications

VOLTAGE

120 120V
277 277V
UNV 120-277V
347 347V

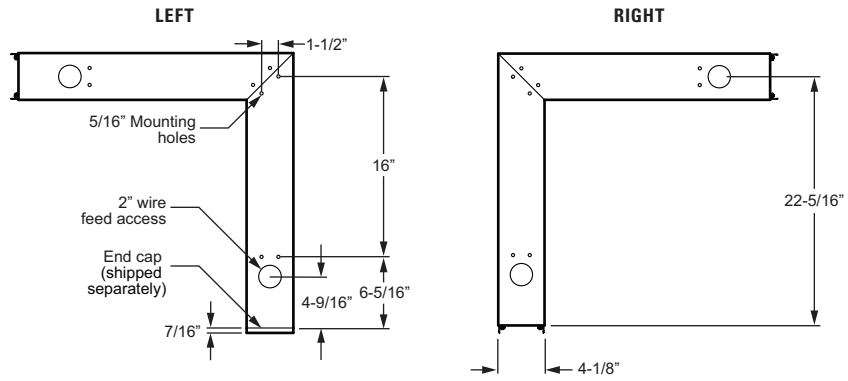
FEATURES

- ▶ Sleek, linear design incorporates clean lines, slim styling, and a continuous row of light.
- ▶ Lumen output up to 1200 lumens per foot.
- ▶ Attractive source of direct lighting for use in offices, hallways, conference rooms or common areas.
- ▶ Linear extrusion contains snap-in light cartridges for ease of installation and maintenance.
- ▶ LX4 system includes surface, suspended, recessed, and wall mount, see hew.com.
- ▶ Diffuse acrylic lens shields LEDs from view.
- ▶ Standard 24" aircraft cable mounting hardware provided.
- ▶ Minimum 80 CRI; 3000K, 3500K, or 4000K CCT.
- ▶ This fixture is proudly made in the USA.



CORNER CONFIGURATIONS

LX4S90 BACK VIEW



Orientation is determined by power flow from power entry to end of row.

SPECIFICATIONS

Housing – Extruded aluminum with die-cast end plates.

Shielding – Extruded diffuse acrylic lens.

Finish – Textured matte white polyester TGIC powder coat bonded to phosphate-free, multi-stage pretreated metal. All parts painted after fabrication to facilitate installation, increase efficiency, and inhibit corrosion.

Electrical – High quality mid-power LED boards. L70 >60,000 hours per IES TM-21.

Mounting – Surface.

Labels – cETLus conforms to UL STD 1598. Certified to CAN/CSA STD C22.2 No. 250.0. Suitable for damp locations.

Warranty – 5-year limited warranty, see hew.com/warranty.