

PERFORMANCE HIGH BAY

GP

LED

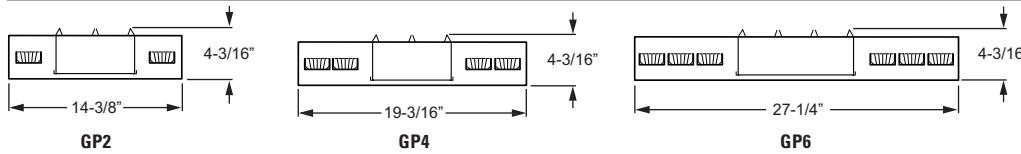
CATALOG #:	TYPE:
PROJECT:	NOTES:



EXAMPLE → **GP4 - L460/850 - M - OPTIONS - DIM - UNV**

SERIES LUMEN PACKAGE CRI & CCT DISTRIBUTION OPTIONS/ACCESSORIES DRIVER VOLTAGE

CROSS SECTIONS



ORDERING INFORMATION

SERIES	
GP2	Performance LED High Bay — 2 Module
GP4	Performance LED High Bay — 4 Module
GP6	Performance LED High Bay — 6 Module

LED PACKAGE

EXAMPLE: L460/850				
LUMEN PACKAGE	NOMINAL LUMENS	MINIMUM CRI & CCT	WATTAGE	
GP2				
L93	9,300	840 = 80 CRI, 4000K 850 = 80 CRI, 5000K	66	
L150	15,000		107	
L200	20,000		157	
L230	23,000		187	
GP4				
L300	30,000		236	
L350	35,000	278		
L400	40,000	317		
L460	46,000	375		
GP6				
L500	50,000	402		
L550	55,000	438		
L600	60,000	479		
L650	65,000	520		
L740	74,000	566		

Nominal lumen output based on 5000 CCT and (W) wide distribution. Actual lumens may vary, see fixture performance data.

DISTRIBUTION

N	Narrow
M	Medium
W	Wide

OPTIONS

EM/10W	10-watt emergency LED driver for use with GP2 (120-277V only; end mount, increases fixture size; see page 3 for details)
EM/20W	20-watt emergency LED driver for use with GP4 and GP6 (120-277V only; end mount, increases fixture size; see page 3 for details)
UP	Uplight reflector, see page 4 for details
UPM	Modules in upright orientation (one module for GP2, two modules for GP4 and GP6, see page 3 for details; see page 2 for ambient temperature restrictions; wide distribution only)
UPMA	All modules in upright orientation (wide distribution only; see page 2 for ambient temperature restrictions)

OPTIONS (Continued)

CL	Clear polycarbonate lens (wide distribution only)
DL	Diffuse polycarbonate lens (wide distribution only)
S7238/B	72" cord, 3-conductor, No. 18 AWG, black (DRV only)
S7258/B	72" cord, 5-conductor, No. 18 AWG, black (DIM only)
6CPI/L5-15P/TWLK	6' cord and NEMA twistlock 15 AMP plug, 120V (DRV only)
6CPI/L7-15P/TWLK	6' cord and NEMA twistlock 15 AMP plug, 277V (DRV only)
VBY	(2) Y-hangers
VBY-2	(2) Y-hangers and (2) 2' chains

OCCUPANCY SENSORS

See [Technical Info](#) for occupancy sensor options

ACCESSORIES

See page 4 for mounting details.
Surface mount increases fixture height, see page 4 for details.

GP2-SMK	Surface mount kit for GP2 (not available with UPM or UPMA)
GP4-SMK	Surface mount kit for GP4 (not available with UPM or UPMA)
GP6-SMK	Surface mount kit for GP6 (not available with UPM or UPMA)
WG11	11-gauge wireguard, chrome powder coated. (recommended with optional DL lens to eliminate striations.)
GS/Y26/10	Cable suspension kit, 10' adjustable length (1 pair)
HUB MT 3/4"	Cast iron hub and junction box for single 3/4" pendant mount (shipped not attached)
HUB/HOOK MT	Cast iron hub with mounting hook (shipped not attached)
HOOK/CABLE	Hook and cable mounting kit, 10'

DRIVER

DRV	Driver prewired for non-dimming applications
DIM	10% dimming driver prewired for 0-10V low-voltage applications

VOLTAGE

Must specify voltage (not UNV) if using cord and plug or occupancy sensor.

120	120V	UNV	120-277V
208	208V	347	347V
240	240V	480	480V
277	277V		

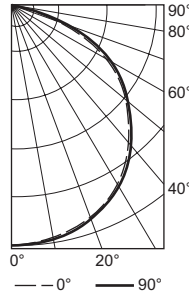
FEATURES

- ▶ Scalable design for a wide range of mounting heights
- ▶ Efficacies up to 140 lm/W, minimum 80 CRI
- ▶ Narrow, medium, wide distributions, and upright options tailor performance to the application
- ▶ Optional energy-saving occupancy sensors available, [see Technical Info](#)
- ▶ Clear and diffuse lens options
- ▶ Multiple module options for 33% to 100% uplight
- ▶ Open construction with aluminum heat sinks to maximize air flow and cooling
- ▶ Rated for 65°C maximum ambient operating temperature. Restrictions apply, see page 2 for details
- ▶ This fixture is proudly made in the USA



PHOTOMETRY

GP2-L230/850-W-DIM-UNV Report #: 19477; 09/06/16 | Total Luminaire Output: 23310 lumens; 187 Watts
Efficacy: 124.7 lm/W | 82.2 CRI; 5089K CCT | IES Spacing Crit.: End: 1.3, Across: 1.3, Diagonal: 1.3



CANDLEPOWER DISTRIBUTION	Vertical Angle	Horizontal Angle			Zonal Lumens
		0°	45°	90°	
0	0	8090	8090	8090	
5	5	8116	8074	8037	770.1
15	15	7882	7870	7827	2226.3
25	25	7358	7397	7396	3416.6
35	35	6599	6674	6744	4192.8
45	45	5581	5654	5686	4382.2
55	55	4333	4419	4469	3961.0
65	65	2884	3003	2554	2852.7
75	75	1342	1148	982	1293.9
85	85	186	189	180	214.7
90	90	0	0	0	

LUMEN SUMMARY	Zone	Lumens	% Fixture
	0 - 30	6413	27.5
	0 - 40	10606	45.5
	0 - 60	18949	81.3
	0 - 90	23310	100.0
	0 - 180	23310	100.0

SPECIFICATIONS

Housing – Aluminum and steel construction.
Finish – Nickel and textured black powder coat bonded to phosphate-free, multi-stage pretreated metal. Painted after fabrication to facilitate installation, increase efficiency, and inhibit corrosion.

Electrical – High quality mid-power LED boards. Surge protection >6kV. L70 >54,000 hours. -35°C – 65°C ambient operating temperature, lumen restrictions apply, consult table below.

Mounting – Suspended.

Listings –

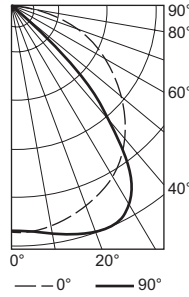
- cCSAus certified as luminaire suitable for dry or damp locations.
- DesignLights Consortium qualified product. Not all versions of this product may be DLC qualified, see the DLC Qualified Products List at www.designlights.org/QPL

Warranty – 5-year limited warranty, see hew.com/warranty.

IMPORTANT:

Electrostatic sensitive unit. Observe precautions when handling.

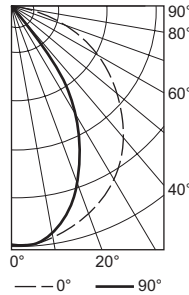
GP4-L460/850-M-DIM-UNV Report #: 19518; 09/23/16 | Total Luminaire Output: 43369 lumens; 376 Watts
Efficacy: 115.6 lm/W | 82.0 CRI; 5038K CCT | IES Spacing Crit.: End: 1.3, Across: 1.4, Diagonal: 1.5



CANDLEPOWER DISTRIBUTION	Vertical Angle	Horizontal Angle			Zonal Lumens
		0°	45°	90°	
0	0	18379	18379	18379	
5	5	18368	18443	18497	1759.5
15	15	17875	18750	19293	5293.7
25	25	16843	18801	19596	8569.4
35	35	15263	17918	16637	10608.8
45	45	13001	13632	7091	9097.9
55	55	10269	4199	591	4972.7
65	65	7110	461	53	2401.1
75	75	3524	39	16	575.7
85	85	530	9	5	89.6
90	90	0	0	0	

LUMEN SUMMARY	Zone	Lumens	% Fixture
	0 - 30	15623	36.0
	0 - 40	26231	60.5
	0 - 60	40302	92.9
	0 - 90	43369	100.0
	0 - 180	43369	100.0

GP4-L460/850-N-DIM-UNV Report #: 19519.1; 10/11/16 | Total Luminaire Output: 43160 lumens; 376 Watts
Efficacy: 114.8 lm/W | 82.2 CRI; 5072K CCT | IES Spacing Crit.: End: 1.2, Across: .9, Diagonal: 1.0



CANDLEPOWER DISTRIBUTION	Vertical Angle	Horizontal Angle			Zonal Lumens
		0°	45°	90°	
0	0	28659	28659	28659	
5	5	28349	28790	28313	2729.2
15	15	27478	27156	25820	7650.9
25	25	25439	22362	18867	10320.7
35	35	22505	15313	10638	10231.3
45	45	18605	7883	95	6421.4
55	55	13942	143	0	3607.1
65	65	8957	0	0	1614.4
75	75	3983	0	0	536.2
85	85	358	0	0	48.8
90	90	0	0	0	

LUMEN SUMMARY	Zone	Lumens	% Fixture
	0 - 30	20701	48.0
	0 - 40	30932	71.7
	0 - 60	40961	94.9
	0 - 90	43160	100.0
	0 - 180	43160	100.0

MULTIPLIER TABLES

DISTRIBUTION	
N	0.94
M	0.95
W	1.00

LENS	
CL	0.94
DL	0.76

AMBIENT TEMPERATURE	
AMBIENT TEMP (°C)	FLUX
25	1.00
40	0.95
50	0.91
55	0.90
60	0.89
65	0.87

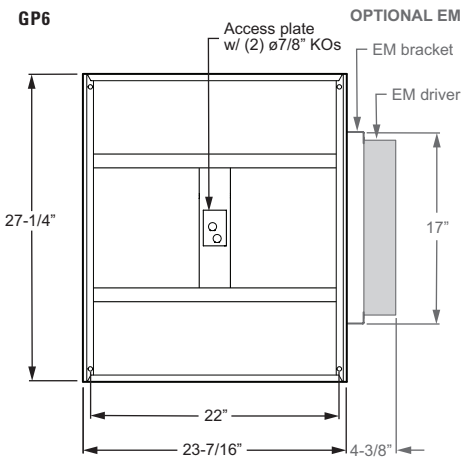
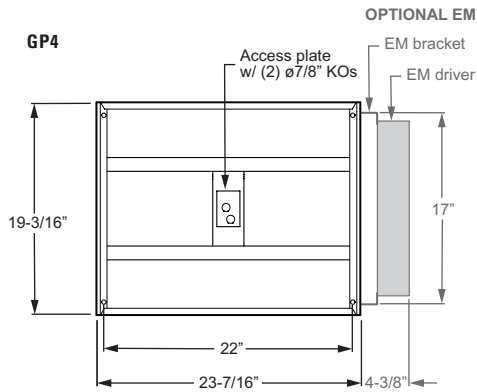
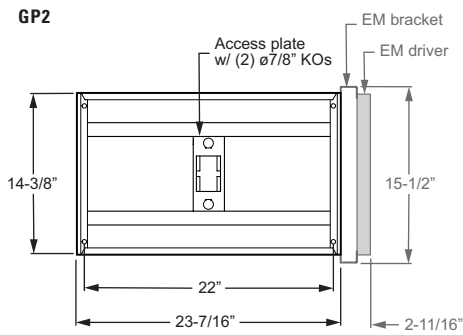
FIXTURE PERFORMANCE DATA

LED PACKAGE	DELIVERED LUMENS	WATTAGE	EFFICACY (lm/W)	MAXIMUM TEMPERATURE (°C)					
				STANDARD		SURFACE MOUNT KIT		UPLIGHT MODULE ¹	
				NO LENS	WITH LENS	NO LENS	WITH LENS	NO LENS	WITH LENS
GP2									
L93	9281	66	140	65	55	61	51	45	40
L150	14770	107	138	60	55	56	51	45	40
L200	19818	157	126	60	50	56	46	45	35
L230	23310	187	125	55	40	51	36	40	30
GP4									
L300	29015	236	123	60	55	56	51	45	40
L350	34147	278	123	60	55	56	51	45	40
L400	38934	317	123	60	50	56	46	45	35
L460	45793	375	122	55	40	51	36	40	30
GP6									
L500	52871	402	131	60	55	56	51	45	40
L550	57596	438	132	60	55	56	51	45	35
L600	63000	479	131	60	50	56	46	40	30
L650	68200	520	131	55	40	51	36	40	30
L740	74099	566	131	55	40	51	36	40	30

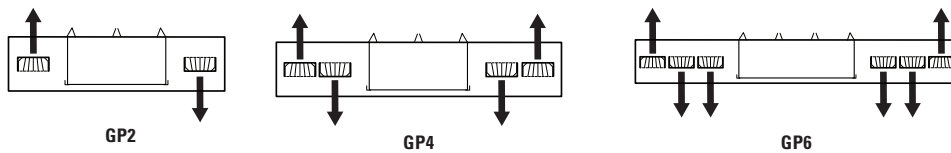
- Minimum of 48" from mounting surface required for upright modules.
- Photometrics tested in accordance with IESNA LM-79. Results shown are based on 25°C ambient temperature.
- Wattage shown is average for 120V through 277V input.
- Results based on relative CCT output. Performance is the same for 4000 and 5000 CCT.
- Use multiplier tables to calculate additional options.

FIXTURE DETAILS

BACK VIEW



UPLIGHT MODULES (UPM Option)



OPTIONS (GP4 shown)



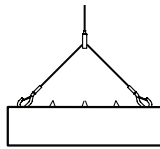
UPLIGHT % OF TOTAL FLUX			
	GP2	GP4	GP6
UPLIGHT REFLECTOR			
N	8.4	4.2	2.6
M	8.2	4.1	2.5
W	8.6	4.3	2.7
CL	10.0	5.0	3.1
DL	16.0	8.0	4.9
UPLIGHT MODULES			
UPM	50.0	50.0	33.3
UPMA	100.0	100.0	100.0

ACCESSORIES (GP4 shown)

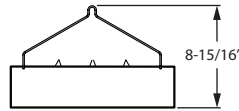


MOUNTING ACCESSORIES

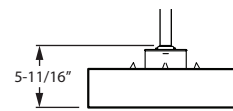
GS/Y26/10



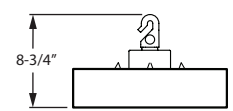
VBY or VBY-2



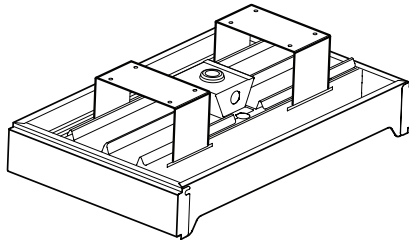
HUB MT 3/4"



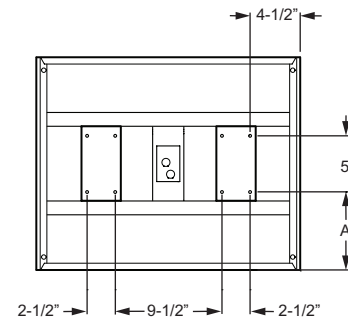
HUB/HOOK MT



SURFACE MOUNT KIT (Shipped separately)



CROSS SECTION



BACKVIEW DIMENSION A

GP2	GP4	GP6
4-11/16"	7"	11-1/8"