

# 4" CONTINUOUS – RECESSED CORNER

# LX4R90

PoE

CATALOG #: \_\_\_\_\_ TYPE: \_\_\_\_\_

PROJECT: \_\_\_\_\_ NOTES: \_\_\_\_\_

**EXAMPLE** → **LX4R90** **G** - **P8/835** - **JR** - **A** - **OPTIONS** - **POE N**

SERIES    CEILING TYPE    LUMENS PER FOOT    CRI & CCT    FIXTURE TYPE    SHIELDING    OPTIONS/ACCESSORIES    CONTROL



LX4R90TR Shown

## ORDERING INFORMATION

**SERIES**  
**LX4R90**    4" Continuous – Recessed Corner – PoE

**CEILING TYPE**  
**G**    NEMA Type "G" (Earthquake clips provided.)  
**TR**    Trim (Drywall or hard surface)  
**TL**    Trimless (Drywall or hard surface)

**LED PACKAGE**

EXAMPLE: P8/835		
LUMEN PACKAGE	NOMINAL LUMENS PER FOOT	MINIMUM CRI & CCT
P8	800	830 = 80 CRI, 3000K
		835 = 80 CRI, 3500K
		840 = 80 CRI, 4000K

Nominal lumen output based on 3500 CCT, actual lumens may vary.

**FIXTURE TYPE**  
**FL**    Feeder-Left hand  
**FR**    Feeder-Right hand  
**JL**    Joiner-Left hand  
**JR**    Joiner-Right hand

**SHIELDING**  
**A**    Diffuse acrylic

**OPTIONS**  
 For color options, visit the LX4R90 online at [hew.com](http://hew.com).

**ACCESSORIES**  
 See [hew.com/poe](http://hew.com/poe) for compatible sensors & switches  
 See page 2 for details.  
**LX4V90R**    90° transition corner. Connects suspended LX4D or U to vertically mounted trimless recessed LX4RTL.  
**LX4RV90R**    90° transition corner. Connects recessed LX4RT to vertically mounted recessed LX4RT.

**CONTROL**  
 For additional PoE info, see [hew.com/poe](http://hew.com/poe)  
**POE N**    Power over Ethernet network node  
**POE D**    Power over Ethernet device node (not available for fixtures over 40W)

## FEATURES

- ▶ Williams turn-key Power over Ethernet (PoE) solution provides plug-and-play networked lighting and control.
- ▶ Efficacies up to 112 lm/W
- ▶ Sleek, linear design incorporates clean lines, slim styling, and a continuous row of light.
- ▶ Attractive source of direct lighting for use in offices, hallways, conference rooms or common areas.
- ▶ LX4 system includes suspended, wall mount, and surface mount, see [hew.com](http://hew.com).
- ▶ Diffuse acrylic lens shields LEDs from view.
- ▶ This fixture is proudly made in the USA.

## SYSTEM REQUIREMENTS

- Lighting system (site software)
- Gateway or alternate server (runs software)
- PoE switches or Ethernet switches and mid-span power injectors
- See [hew.com/poe](http://hew.com/poe) for details



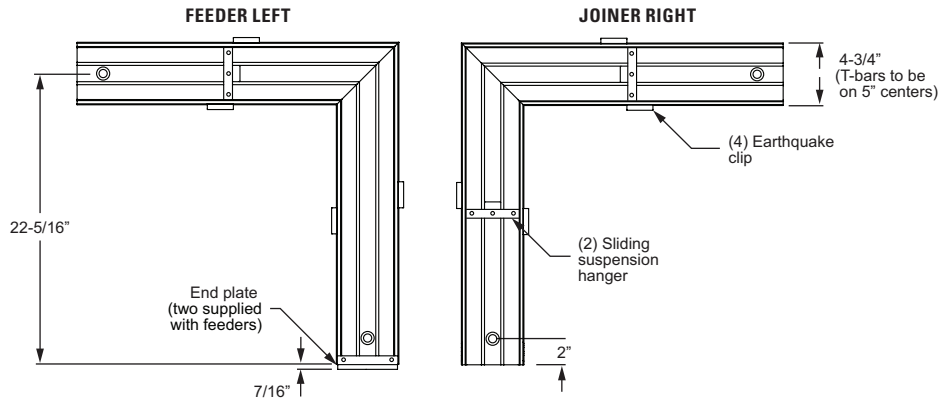
# LX4R90

## 4" CONTINUOUS – RECESSED CORNER

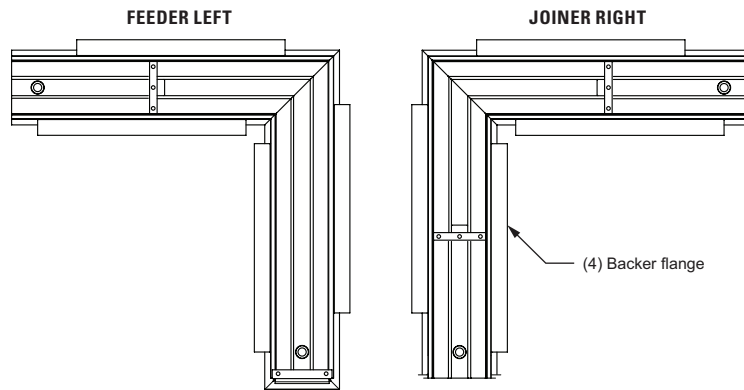
PoE

### CORNER CONFIGURATIONS

#### LX4R90G BACK VIEW



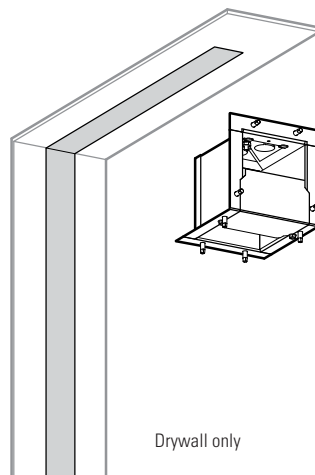
#### LX4R90TR | LX4R90TL BACK VIEW



### TRANSITION CORNER ACCESSORIES

Includes tamper resistant lens bracket for lower end of vertical fixture.

#### LX4RV90R



### SPECIFICATIONS

**Housing** – Extruded aluminum.

**Shielding** – Extruded diffuse acrylic lens.

**Finish** – 92% minimum average reflective white polyester powder coat bonded to phosphate-free, multi-stage pretreated metal. All parts painted after fabrication to facilitate installation, increase efficiency, and inhibit corrosion.

**Electrical** – High quality mid-power LED boards. L70 >60,000 hours per IES TM-21. Low-voltage DC fixture, to be fed by Class 2 power supply.

**Mounting** – NEMA Type “G” standard.

**Labels** – cCSAus certified as luminaire suitable for dry or damp locations.

**Warranty** – 5-year limited warranty, see [hew.com/warranty](http://hew.com/warranty).



H. E. WILLIAMS, INC.