

4" CONTINUOUS – RECESSED DRYWALL

LX4RT

CATALOG #:	TYPE:
PROJECT:	NOTES:

PoE

EXAMPLE

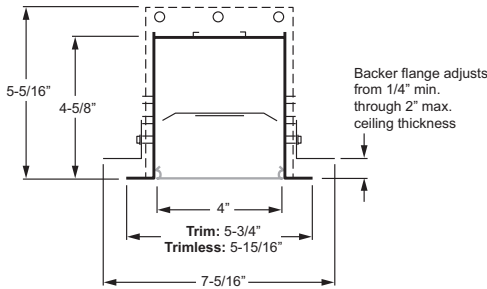
LX4RT R - 4 - P8/835 - S - A - OPTIONS - POE N

SERIES FIXTURE STYLE NOMINAL LENGTH LUMENS PER FOOT CRI & CCT FIXTURE TYPE SHIELDING OPTIONS CONTROL



LX4RTR Shown

CROSS SECTION



ORDERING INFORMATION

SERIES
LX4RT 4" Continuous – Recessed Drywall or Hard Surface – PoE

FIXTURE STYLE
R Trim
L Trimless

NOMINAL LENGTH
See page 4 for actual illuminated length
 Stand-alone – 2'-8" nominal lengths specified in 2' increments; fixture ships assembled. Example: **2** = 2'.
 Row-mount – Row mounted fixtures ship assembled, but must be joined during installation. Specify row lengths per chart on page 3. Example: **36** = 35'-3/8".
 Contact apps@hew.com for layout assistance.

LED PACKAGE

EXAMPLE: P8/835		
LUMEN PACKAGE	NOMINAL LUMENS PER FOOT	MINIMUM CRI & CCT
P8	800	830 = 80 CRI, 3000K 835 = 80 CRI, 3500K 840 = 80 CRI, 4000K

Nominal lumen output based on 3500 CCT. Actual lumens may vary +/-5%, see lengths configuration table for fixture performance data and system wattages.

FIXTURE TYPE
S Stand-alone, 2'-8" nominal
F/J Row mount for runs greater than 8' nominal

SHIELDING
A Diffuse acrylic

OPTIONS
 For color options, visit the LX4RT online at hew.com.
ASY Asymmetric reflector (reduces fixture output by 34%). Field installed. See page 3 for details.

ACCESSORIES
 See hew.com/poe for compatible sensors & switches. See page 3 for details.
LX4V90R 90° transition corner. Connects suspended LX4D or U to vertically mounted trimless recessed LX4RTL
LX4RV90R 90° transition corner. Connects recessed LX4RT to vertically mounted recessed LX4RT.

CONTROL
 For additional PoE info, see hew.com/poe
POE N Power over Ethernet network node
POE D Power over Ethernet device node (not available for fixtures over 40W)

FEATURES

- ▶ Williams turn-key Power over Ethernet (PoE) solution provides plug-and-play networked lighting and control.
- ▶ Efficacies up to 112 lm/W
- ▶ Sleek, linear design incorporates clean lines, slim styling, and a continuous row of light.
- ▶ Available in seamless stand-alone units up to 8' in nominal length or row-mount configurations greater than 8' nominal.
- ▶ Attractive source of direct lighting for use in offices, hallways, conference rooms or common areas.
- ▶ LX4 system includes suspended, wall mount, surface mount, and corner configurations, see hew.com.
- ▶ Diffuse acrylic lens shields LEDs from view.
- ▶ This fixture is proudly made in the USA.

SYSTEM REQUIREMENTS

- Lighting system (site software)
- Gateway or alternate server (runs software)
- PoE switches or Ethernet switches and mid-span power injectors
- See hew.com/poe for details

Note: For corner fixtures, see LX4R90.



LX4RT

4" CONTINUOUS – RECESSED DRYWALL

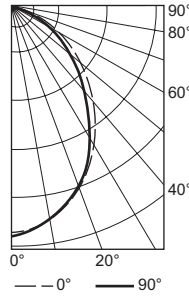
PoE

PHOTOMETRY

SPECIFICATIONS

- Housing** – Extruded aluminum.
- Shielding** – Extruded diffuse acrylic lens.
- Finish** – 92% minimum average reflective white polyester powder coat bonded to phosphate-free, multi-stage pretreated metal. All parts painted after fabrication to facilitate installation, increase efficiency, and inhibit corrosion.
- Electrical** – High quality mid-power LED boards. L70 >60,000 hours per IES TM-21. Low-voltage DC fixture, to be fed by Class 2 power supply.
- Mounting** – Drywall mount allowing for ceiling materials 1/4" - 2" thick.
- Labels** – cCSAus certified as luminaire suitable for dry or damp locations.
- Warranty** – 5-year limited warranty, see hew.com/warranty.

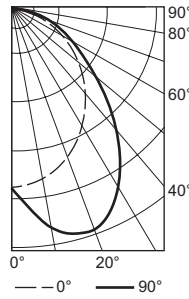
LX4RTR-4-P8/835-A Total Luminaire Output: 2764 lumens; 25 Watts | Efficacy: 111 lm/W | 82.7 CRI; 3500K CCT



CANDLEPOWER DISTRIBUTION	Vertical Angle	Horizontal Angle			Zonal Lumens
		0°	45°	90°	
0		1163	1163	1163	
5		1148	1156	1165	110
15		1094	1097	1101	309
25		986	982	976	451
35		835	820	800	512
45		659	635	602	488
55		478	451	418	402
65		307	286	261	283
75		159	150	140	159
85		45	46	44	50
90		0	0	0	

LUMEN SUMMARY	Zone	Lumens	% Fixture
	0 - 30	870	32
	0 - 40	1382	50
	0 - 60	2272	82
	0 - 90	2764	100
	0 - 180	2764	100

LX4RTR-4-P8/835-A-ASY Total Luminaire Output: 1824 lumens; 25 Watts | Efficacy: 73 lm/W | 83.9 CRI; 3500K CCT



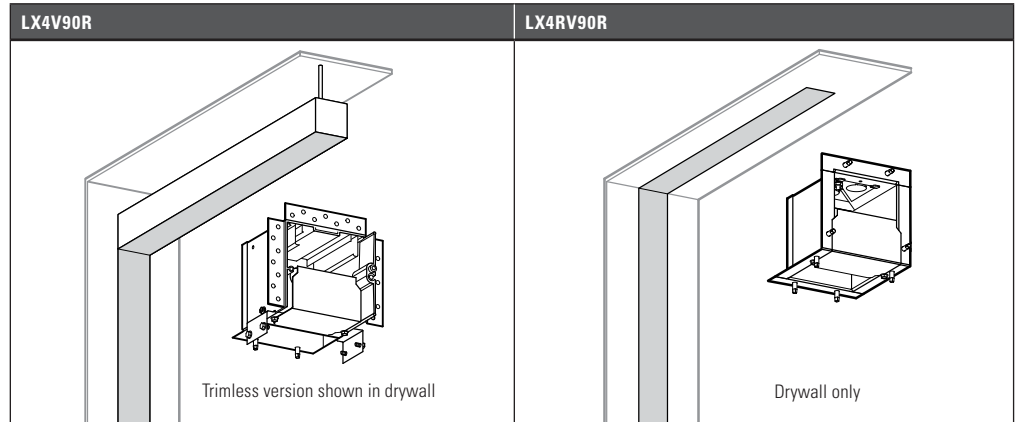
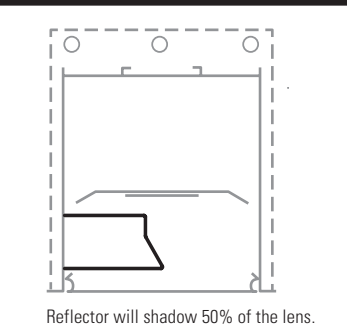
CANDLEPOWER DISTRIBUTION	Vertical Angle	Horizontal Angle				Zonal Lumens
		0°	90°	180°	270°	
0		684	684	684	684	
5		673	765	681	615	65
15		642	887	658	467	187
25		586	884	606	377	283
35		507	756	526	319	333
45		411	572	426	269	327
55		305	386	319	213	277
65		201	235	209	150	200
75		105	124	112	85	115
85		32	41	33	27	37
90		0	0	0	0	

LUMEN SUMMARY	Zone	Lumens	% Fixture
	0 - 30	536	29
	0 - 40	868	48
	0 - 60	1472	81
	0 - 90	1824	100
	0 - 180	1824	100

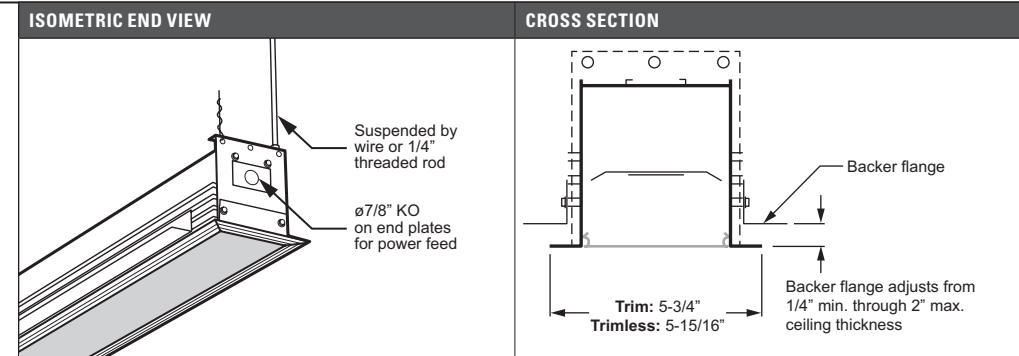
TRANSITION CORNER ACCESSORIES

Includes tamper resistant lens bracket for lower end of vertical fixture.

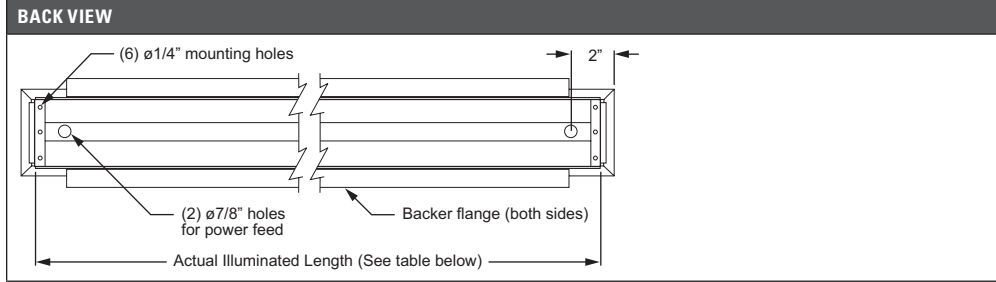
ASYMMETRIC REFLECTOR DETAIL



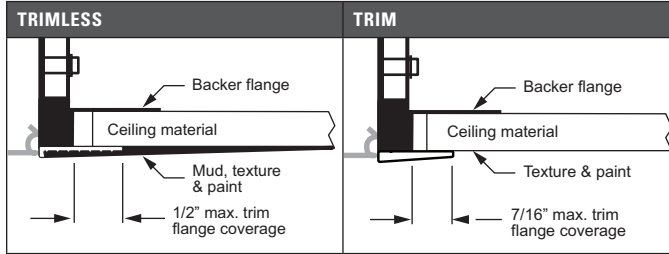
FIXTURE DETAILS



FIXTURE DETAILS



TRIM FINISH DETAILS



ROUGH-IN DIMENSIONS

- ▶ Framing allowance for width (Type S) is 5-1/2" minimum.
- ▶ Framing allowance for width (Types F & J) is 14-1/2" for access to cinching screws.
- ▶ Framing allowance for length (All Types) is ACTUAL ILLUMINATED LENGTH plus 1-1/2" minimum.

LENGTH CONFIGURATIONS

NOMINAL LENGTH	ACTUAL ILLUMINATED LENGTH	LUMENS PER 11"	TOTAL FIXTURE LUMENS	TOTAL FIXTURE WATTAGE	EFFICACY (lm/W)	NODE QUANTITY ¹	FIXTURE CONFIGURATIONS							
2	1', 10-1/8"	751	1382	13	106.3	1	2' S							
4	3', 8-1/4"	751	2764	25	110.5	1	4' S							
6	5', 6-3/8"	743	4101	36	113.9	1	6' S							
8	7', 4-1/2"	751	5527	50	110.5	1	8' S							
10	9', 2-5/8"	751	6865	61	112.5	2	4' F	6' J						
12	11', 3/4"	751	8291	75	110.5	2	4' F	8' J						
13	12', 10-7/8"	743	9629	86	112.0	2	6' F	8' J						
15	14', 9"	751	11055	100	110.5	2	8' F	8' J						
17	16', 7-1/8"	751	12392	111	111.6	3	4' F	6' J	8' J					
19	18', 5-1/4"	751	13818	125	110.5	3	4' F	8' J	8' J					
21	20', 3-3/8"	743	15156	136	111.4	3	6' F	8' J	8' J					
23	22', 1-1/2"	751	16582	150	110.5	3	8' F	8' J	8' J					
24	23', 11-5/8"	751	17920	161	111.3	4	4' F	6' J	8' J	8' J				
26	25', 9-3/4"	751	19346	175	110.5	4	4' F	8' J	8' J	8' J				
28	27', 7-7/8"	743	20683	186	111.2	4	6' F	8' J	8' J	8' J				
30	29', 6"	751	22109	200	110.5	4	8' F	8' J	8' J	8' J				
32	31', 4-1/8"	751	23447	211	111.1	5	4' F	6' J	8' J	8' J	8' J			
34	33', 2-1/4"	751	24873	225	110.5	5	4' F	8' J	8' J	8' J	8' J			
36	35', 3/8"	743	26211	236	111.1	5	6' F	8' J	8' J	8' J	8' J			
37	36', 10-1/2"	751	27637	250	110.5	5	8' F	8' J	8' J	8' J	8' J			
39	38', 8-5/8"	751	28974	261	111.0	6	4' F	6' J	8' J	8' J	8' J	8' J		
41	40', 6-3/4"	751	30400	275	110.5	6	4' F	8' J	8' J	8' J	8' J	8' J		
43	42', 4-7/8"	743	31738	286	111.0	6	6' F	8' J	8' J	8' J	8' J	8' J		
45	44', 3"	751	33164	300	110.5	6	8' F	8' J	8' J	8' J	8' J	8' J		
47	46', 1-1/8"	751	34502	311	110.9	7	4' F	6' J	8' J	8' J	8' J	8' J	8' J	
48	47', 11-1/4"	743	35928	325	110.5	7	4' F	8' J	8' J	8' J	8' J	8' J	8' J	
50	49', 9-3/8"	751	37266	336	110.9	7	6' F	8' J	8' J	8' J	8' J	8' J	8' J	8' J

TYPE	
S	Stand-Alone
F	Feeder
J	Joiner

¹ One power drop per node required.
 ■ Photometrics tested in accordance with IESNA LM-79. Results shown are based on 25°C ambient temperature.
 ■ Results scaled based on relative CCT output.
 ■ Use multiplier tables to calculate additional options.

MULTIPLIER TABLES

COLOR TEMPERATURE	
CCT/CRI	CONVERSION FACTOR
3000K/80CRI	0.97
3500K/80CRI	1.00
4000K/80CRI	1.03

