

# 4" CONTINUOUS – SURFACE MOUNT CORNER

# LX4S90

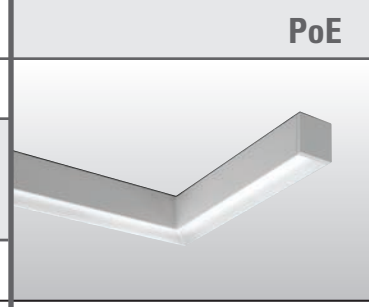
CATALOG #: \_\_\_\_\_ TYPE: \_\_\_\_\_

PROJECT: \_\_\_\_\_

NOTES: \_\_\_\_\_

**EXAMPLE** → **LX4S90** - **P8/835** - **R** - **A** - **OPTIONS** - **POE N**

SERIES      LUMENS PER FOOT      CRI & CCT      FIXTURE TYPE      SHIELDING      OPTIONS/ACCESSORIES      CONTROL



## ORDERING INFORMATION

**SERIES**  
**LX4S90**      4" Continuous – Surface Mount Corner – PoE

**LED PACKAGE**

EXAMPLE: P8/835		
LUMEN PACKAGE	NOMINAL LUMENS PER FOOT	MINIMUM CRI & CCT
<b>P8</b>	800	<b>830</b> = 80 CRI, 3000K <b>835</b> = 80 CRI, 3500K <b>840</b> = 80 CRI, 4000K

Nominal lumen output based on 3500 CCT. Actual lumens may vary.

**FIXTURE TYPE**

**L**      Left hand  
**R**      Right hand

**SHIELDING**  
**A**      Diffuse acrylic

**OPTIONS**  
 For color options, visit the LX4S90 online at [hew.com](http://hew.com).

**ACCESSORIES**  
 See [hew.com/poe](http://hew.com/poe) for compatible sensors & switches

**CONTROL**  
 For additional PoE info, see [hew.com/poe](http://hew.com/poe)  
**POE N**      Power over Ethernet network node  
**POE D**      Power over Ethernet device node (not available for fixtures over 40W)

- ## FEATURES
- ▶ Williams turn-key Power over Ethernet (PoE) solution provides plug-and-play networked lighting and control.
  - ▶ Efficacies up to 112 lm/W
  - ▶ Sleek, linear design incorporates clean lines, slim styling, and a continuous row of light.
  - ▶ Attractive source of direct lighting for use in offices, hallways, conference rooms or common areas.
  - ▶ Linear extrusion contains snap-in light cartridges for ease of installation and maintenance.
  - ▶ LX4 system includes surface, suspended, recessed, and wall mount, see [hew.com](http://hew.com).
  - ▶ Diffuse acrylic lens shields LEDs from view.
  - ▶ Standard 24" aircraft cable mounting hardware provided.
  - ▶ This fixture is proudly made in the USA.

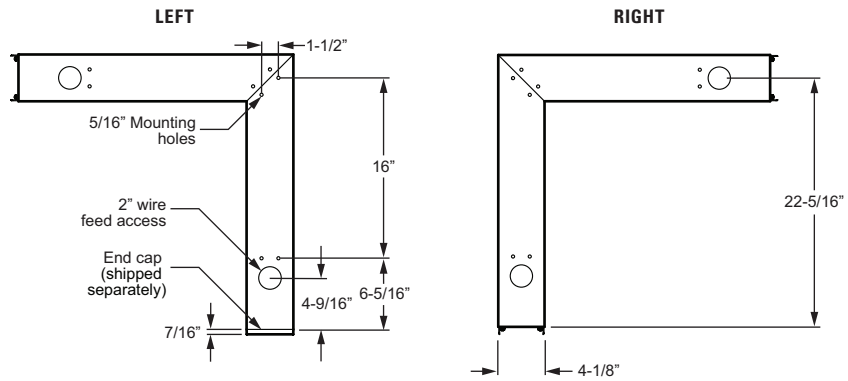
- ## SYSTEM REQUIREMENTS
- Lighting system (site software)
  - Gateway or alternate server (runs software)
  - PoE switches or Ethernet switches and mid-span power injectors
  - See [hew.com/poe](http://hew.com/poe) for details



PoE

### CORNER CONFIGURATIONS

LX4S90 BACK VIEW



### SPECIFICATIONS

**Housing** – Extruded aluminum with die-cast end plates.

**Shielding** – Extruded diffuse acrylic lens.

**Finish** – Textured matte white polyester TGIC powder coat bonded to phosphate-free, multi-stage pretreated metal. All parts painted after fabrication to facilitate installation, increase efficiency, and inhibit corrosion.

**Electrical** – High quality mid-power LED boards. L70 >60,000 hours per IES TM-21. Low-voltage DC fixture, to be fed by Class 2 power supply.

**Mounting** – Surface.

**Labels** – cCSAus certified as luminaire suitable for dry or damp locations.

**Warranty** – 5-year limited warranty, see [hew.com/warranty](http://hew.com/warranty).



H. E. WILLIAMS, INC.