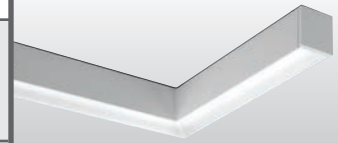


4" CONTINUOUS – SUSPENDED CORNER

LX490

PoE



LX490D Shown

CATALOG #: _____ TYPE: _____

PROJECT: _____ NOTES: _____

EXAMPLE → **LX490 D - P8/835 - R - A - P24/W - OPTIONS - POE N**

SERIES DISTRIBUTION LUMENS PER FOOT CRI & CCT FIXTURE TYPE SHIELDING POWER SUPPLY OPTIONS/ACCESSORIES CONTROL

ORDERING INFORMATION

SERIES

LX490 4" Continuous – Suspended Corner – PoE

DISTRIBUTION

D Down
U Up
UD Up and Down

LED PACKAGE

Nominal lumens based on 3500K, actual lumens may vary.

UPLIGHT OR DOWNLIGHT ONLY

EXAMPLE: P8/835		
LUMEN PACKAGE	NOMINAL LUMENS PER FOOT	MINIMUM CRI & CCT
P8	800	830 = 80 CRI, 3000K 835 = 80 CRI, 3500K 840 = 80 CRI, 4000K

UP & DOWNLIGHT ONLY

Specify lumen packages: **U** for Uplight and **D** for Downlight.

EXAMPLE: P8U/P8D/835			
LUMEN PACKAGE	NOMINAL LUMENS PER FOOT	UP/DOWN	MINIMUM CRI & CCT
P8	800	U or D	830 = 80 CRI, 3000K 835 = 80 CRI, 3500K 840 = 80 CRI, 4000K

FIXTURE TYPE

L Left hand
R Right hand

SHIELDING

A Diffuse acrylic

POWER SUPPLY

Aircraft cable mounting hardware included, determined by cord length. Please specify cord type using ordering example below. See page 2 for mounting details.

EXAMPLE: P24/W		
CORD TYPE	LENGTH	COLOR
P = PoE	24 = 24" 48 = 48" 96 = 96"	/W = White /B = Black

OPTIONS

For color options, visit the LX490 online at hew.com

ACCESSORIES

See hew.com/poe for compatible sensors & switches
LX4V90R 90° transition corner. Connects suspended LX4D or U to vertically mounted trimless recessed LX4RTL. See page 2 for details.

CONTROL

For additional PoE info, see hew.com/poe
LX490UD allows for independent up and down switching.
POE N Power over Ethernet network node
POE D Power over Ethernet device node (not available for fixtures over 40W)

FEATURES

- ▶ Williams turn-key Power over Ethernet (PoE) solution provides plug-and-play networked lighting and control.
- ▶ Efficacies up to 112 lm/W
- ▶ Sleek, linear design incorporates clean lines, slim styling, and a continuous row of light.
- ▶ Attractive source of direct lighting for use in offices, hallways, conference rooms or common areas.
- ▶ Moveable mounting hardware easily slides along the length of the fixture providing variable mounting points.
- ▶ Linear extrusion contains snap-in light cartridges for ease of installation and maintenance.
- ▶ LX4 system includes suspended, recessed, surface mount, and wall mount, see hew.com.
- ▶ Diffuse acrylic lens shields LEDs from view.
- ▶ Standard 24" aircraft cable mounting hardware provided.
- ▶ This fixture is proudly made in the USA.

SYSTEM REQUIREMENTS

- Lighting system (site software)
- Gateway or alternate server (runs software)
- PoE switches or Ethernet switches and mid-span power injectors
- See hew.com/poe for details

SPECIFICATIONS

Housing – Extruded aluminum with die-cast end plates.
Shielding – Extruded diffuse acrylic lens.
Finish – Textured matte white polyester TGIC powder coat bonded to phosphate-free, multi-stage pretreated metal. All parts painted after fabrication to facilitate installation, increase efficiency, and inhibit corrosion.
Electrical – High quality mid-power LED boards. L70 >60,000 hours per IES TM-21. Low-voltage DC fixture, to be fed by Class 2 power supply.
Mounting – Suspended. 1/16" diameter adjustable steel leveling aircraft cable and mounting hardware necessary for grid ceiling applications provided.
Labels – cCSAus certified as luminaire suitable for dry or damp locations.
Warranty – 5-year limited warranty, see hew.com/warranty.



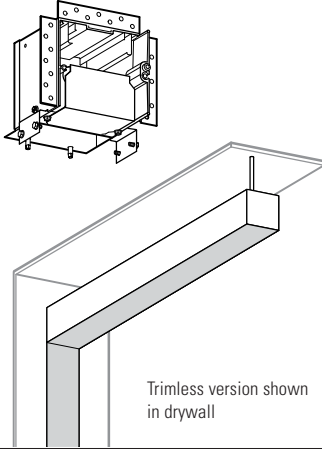
LX490

4" CONTINUOUS – SUSPENDED CORNER

PoE

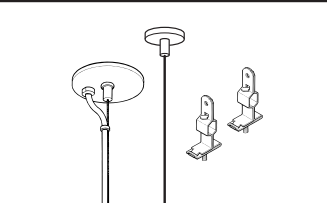
LX4V90R CORNER ACCESSORY

Includes tamper resistant lens bracket for lower end of vertical fixture.



Trimless version shown in drywall

STANDARD HARDWARE

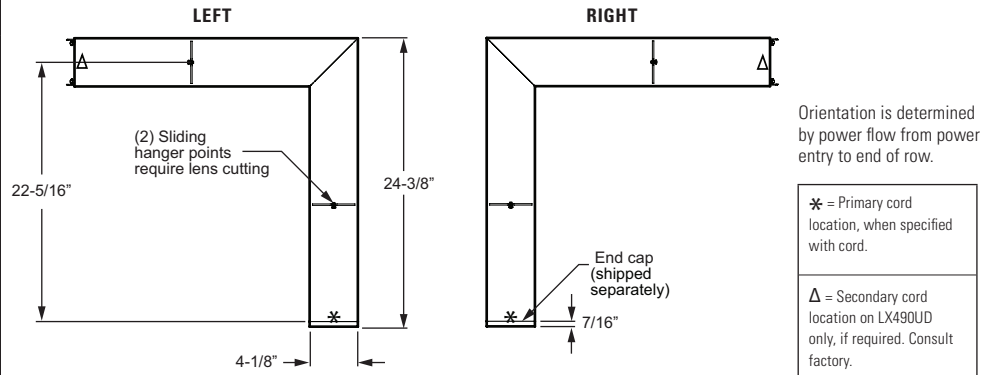


Notes:

- Fixtures are provided with adjustable length aircraft cables and mounting hardware for 1" grid and hardpan, determined by cord length.
- Electrical supply is brought into each fixture, either as part of a row or as a stand-alone unit. One power drop per node required.
- One 5" canopy included for each fixture. One 2" canopy included for opposite end of fixture or at end of row.

CORNER CONFIGURATIONS

LX490U | LX490UD BACK VIEW

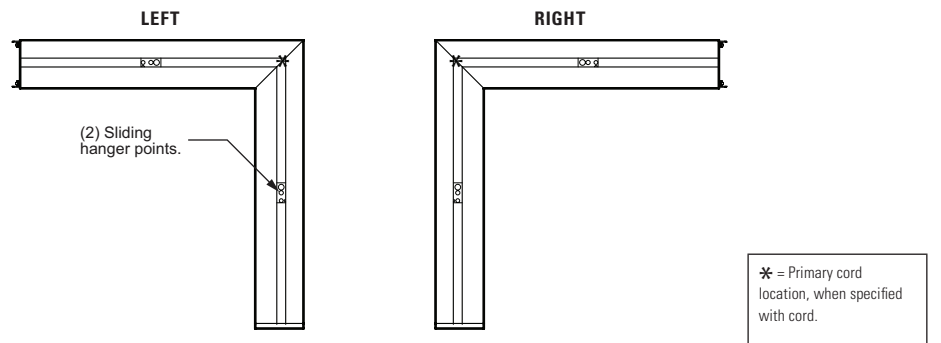


Orientation is determined by power flow from power entry to end of row.

* = Primary cord location, when specified with cord.

Δ = Secondary cord location on LX490UD only, if required. Consult factory.

LX490D BACK VIEW

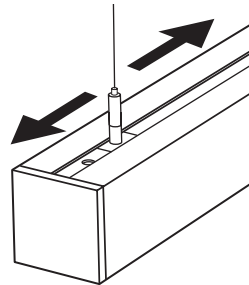


* = Primary cord location, when specified with cord.

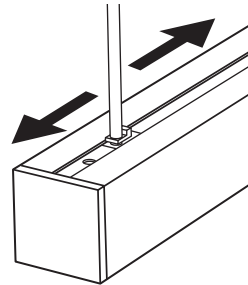
FIXTURE DETAILS

LX4D MOUNTING DETAIL

AIRCRAFT CABLE DETAIL

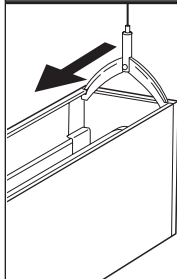


MICROSTEM DETAIL

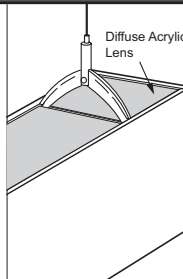


Aircraft cable and microstem mounting accessories can be repositioned along the length of the channel, providing flexible mounting locations to suit any application. Lock into place using a #8 screw (provided).

LX4U, LX4UD INDIRECT HANGER DETAIL



Indirect hanger can be repositioned along the length of the channel providing flexible mounting locations to suit any application.



Diffuse acrylic lens is used in conjunction with indirect hanger bracket. Depending on desired location of indirect hanger, the lens may have to be cut to fit around the bracket.