

# 6" LED CYLINDER

# LC6

PoE

CATALOG #: \_\_\_\_\_ TYPE: \_\_\_\_\_

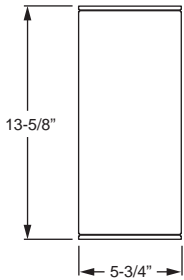
PROJECT: \_\_\_\_\_ NOTES: \_\_\_\_\_

**EXAMPLE** → **LC6** - **P28C/835** - **WHT** - **CS/M** - **OPTIONS** - **QM** - **POE N**

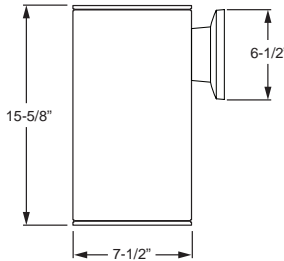
SERIES LUMEN PACKAGE CRI & CCT HOUSING FINISH REFLECT. DIST. COLOR OPTIONS/ACCESSORIES MOUNTING CONTROL



## CROSS SECTIONS



L11C – L15C Shown  
Max. Weight: 8 lbs



L11C – L15C Wall Mount Shown  
Max. Weight: 8 lbs

## ORDERING INFORMATION

### SERIES

**LC6** 6" LED Cylinder – PoE

### LED PACKAGE

Nominal lumens based on CS reflector color and W distribution. See page 2 for fixture performance data.

EXAMPLE: P28C/835				
LUMEN PACKAGE	NOMINAL LUMENS	MINIMUM		WATTAGE
		CRI	CCT	
P12C	1,200	8 = 80 9 = 90	27=2700K	17
P18C	1,800		30=3000K	25
P28C	2,800		35=3500K 40=4000K	36

### HOUSING FINISH

For custom color options, visit the LC6 at [hew.com](http://hew.com).<sup>1</sup>

<b>ALUM</b>	Satin silver aluminum
<b>BLK</b>	Textured black
<b>BRZ</b>	Textured bronze
<b>NKL</b>	Textured nickel
<b>SLV</b>	Textured silver
<b>WHT</b>	Textured white

### REFLECTOR COLOR

<b>CS</b>	Clear semi-specular (standard)
<b>CG</b>	Champagne gold
<b>GD</b>	Gold
<b>PW</b>	Pewter
<b>SG</b>	Satin-glow
<b>SPC</b>	Clear specular
<b>STR</b>	Straw
<b>WT</b>	Wheat
<b>WH</b>	Painted white reflector, textured

### DISTRIBUTION <sup>2</sup>

<b>W</b>	60° Wide
<b>M</b>	40° Medium
<b>N</b>	30° Narrow

### OPTIONS

See page 3 for cord options and mounting details.  
**LAD** Acrylic luminous disk  
**LADO** Acrylic luminous disk open  
**LAR** Acrylic luminous ring

### ACCESSORIES

See [hew.com/poe](http://hew.com/poe) for compatible sensors & switches

### MOUNTING

See page 3 for cord options and mounting details.  
**QM** Quick installation canopy surface mount  
**PM** Pendant mount (specify length in 1" increments, minimum 4"), see back. Canopy and pendant match fixture housing color unless specified otherwise. (Requires remote mount node, see page 3 for details)  
**Example:** 24" pendant = **PM24**.  
**SM** Surface mount to octagonal J-box  
**CM** Adjustable aircraft cable mount, 24" length standard (48" and 96" lengths available). Canopy painted white unless specified otherwise. Must specify network cable, see page 3.  
**Example:** 24" cable = **CM24**  
**WM** Wall mount

### CONTROL

For additional PoE info, see [hew.com/poe](http://hew.com/poe)  
 PM mounting requires remote mount node, see page 3 for details.  
**POE N** Power over Ethernet network node  
**POE D** Power over Ethernet device node

## FEATURES

- ▶ Williams turn-key Power over Ethernet (PoE) solution provides plug-and-play networked lighting and control.
- ▶ Self-flanged aluminum reflector prevents light leaks and is available in assorted colors.
- ▶ Standard cylinder colors are bronze, black, white, or silver aluminum (must specify when ordering).
- ▶ Custom colors available.
- ▶ All-aluminum cylinder components dissipate heat for cooler operation.
- ▶ This fixture is proudly made in the USA.

## SYSTEM REQUIREMENTS

- Lighting system (site software)
- Gateway or alternate server (runs software)
- PoE switches or Ethernet switches and mid-span power injectors
- See [hew.com/poe](http://hew.com/poe) for details

<sup>1</sup> For custom colors other than RAL, manufacturers' code plus two swatches (minimum 1" square) required.

<sup>2</sup> Beam angle/distribution does not account for options/accessories such as accent cone with lens, acrylic accent rings, or alternate reflector finishes. Actual beam angle/distribution may vary. Consult factory with complete model number for approximate values.



## PoE

### SPECIFICATIONS

**Housing** – Extruded aluminum.

**Finish** – Polyester powder coat bonded to phosphate-free, multi-stage pretreated metal. All parts painted after fabrication to facilitate installation, increase efficiency, and inhibit corrosion.

**Electrical** – High quality mid-power LED C.O.B. L70 >50,000 hours. Low-voltage DC fixture, to be fed by Class 2 power supply.

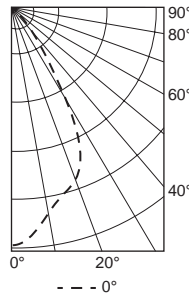
**Mounting** – Surface, cable, pendant or wall. Indoor applications only.

**Labels** – cCSAus certified as luminaire suitable for dry or damp locations.

**Warranty** – 5-year limited warranty, see [hew.com/warranty](http://hew.com/warranty).

### PHOTOMETRY

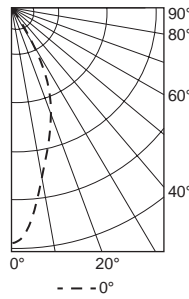
**LC6-P28C/835-CS/W** Total Luminaire Output: 2785 lumens; 36 Watts  
Efficacy: 77 lm/W | 82.3 CRI; 3579K CCT | IES Spacing Criteria: 0-180 = 0.99; 90-270 = 0.99



CANDLEPOWER DISTRIBUTION	Vertical Angle	Horizontal Angle	Zonal Lumens
		0°	
	0	2826	
	5	2763	259
	15	2525	712
	25	2111	939
	35	882	567
	45	272	217
	55	62	62
	65	17	18
	75	8	8
	85	3	3
	90	3	

LUMEN SUMMARY	Zone	Lumens	% Fixture
	0 - 40	2476	89
	0 - 60	2756	99
	0 - 90	2785	100
	0 - 180	2785	100

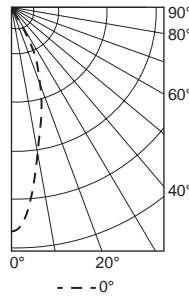
**LC6-P28C/835-CS/M** Total Luminaire Output: 2090 lumens; 36 Watts  
Efficacy: 58 lm/W | 82.2 CRI; 3557K CCT | IES Spacing Criteria: 0-180 = 0.57; 90-270 = 0.57



CANDLEPOWER DISTRIBUTION	Vertical Angle	Horizontal Angle	Zonal Lumens
		0°	
	0	4552	
	5	4109	363
	15	2647	736
	25	1575	693
	35	321	228
	45	56	47
	55	12	11
	65	6	6
	75	3	3
	85	1	1
	90	1	

LUMEN SUMMARY	Zone	Lumens	% Fixture
	0 - 40	2021	97
	0 - 60	2079	99
	0 - 90	2090	100
	0 - 180	2090	100

**LC6-P28C/835-CS/N** Total Luminaire Output: 1481 lumens; 36 Watts  
Efficacy: 41 lm/W | 82.4 CRI; 3556K CCT | IES Spacing Criteria: 0-180 = 0.48; 90-270 = 0.48



CANDLEPOWER DISTRIBUTION	Vertical Angle	Horizontal Angle	Zonal Lumens
		0°	
	0	3954	
	5	3509	304
	15	1991	551
	25	1043	462
	35	171	131
	45	20	21
	55	5	4
	65	3	2
	75	2	2
	85	2	2
	90	3	

LUMEN SUMMARY	Zone	Lumens	% Fixture
	0 - 40	1449	98
	0 - 60	1475	99
	0 - 90	1481	100
	0 - 180	1481	100

#### COLOR TEMPERATURE MULTIPLIER

CCT/CRI	CONVERSION FACTOR
2700K/80CRI	0.95
3000K/80CRI	0.96
3500K/80CRI	1.00
4000K/80CRI	1.01
2700K/90CRI	0.74
3000K/90CRI	0.85
3500K/90CRI	0.90
4000K/90CRI	0.91

#### REFLECTOR FINISH MULTIPLIER



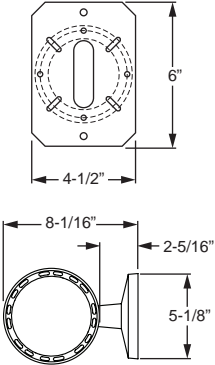
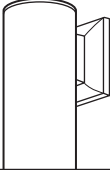
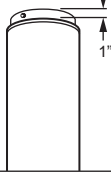

CATALOG NUMBER	REFLECTOR FINISH	CONVERSION FACTOR
<b>CS</b>	Clear semi-specular	-
<b>SPC</b>	Specular	1.02
<b>CG</b>	Champagne Gold	0.96
<b>GD</b>	Gold	0.93
<b>PW</b>	Pewter	0.86
<b>STR</b>	Straw	0.97
<b>WH</b>	White, textured	0.90
<b>WT</b>	Wheat	0.88

### FIXTURE PERFORMANCE DATA

LED PACKAGE	DISTRIBUTION	WATTAGE	DELIVERED LUMENS	EFFICACY (lm/W)
P12C	W	17	1158	69
	M		868	52
	N		615	37
P18C	W	25	1782	71
	M		1337	53
	N		948	38
P28C	W	36	2785	77
	M		2090	58
	N		1481	41

- Photometrics tested in accordance with IESNA LM-79. Results shown are based on 25°C ambient temperature.
- Results scaled based on relative CCT output.
- Use multiplier table to calculate additional options.

### MOUNTING DETAILS

<p><b>CABLE MOUNT (CM_)</b> Cable mount fixtures are provided with:</p> <ul style="list-style-type: none"> <li>Adjustable length aircraft cable, must specify length in inches.</li> <li>Network cable (must specify length)</li> <li>One 5" canopy.</li> <li>T-bar clip with 1/4-20 stud.</li> <li>Hard ceiling anchor provided by others.</li> <li>See <a href="#">instruction sheet</a> for more information.</li> </ul> 	<p><b>PENDANT MOUNT (PM_)</b> Swivel pendant mount fixtures are provided with:</p> <ul style="list-style-type: none"> <li>Swivel canopy with 3/8" I.P.S. threaded stem (specify length of stem, 4" minimum, 24" default length)</li> <li>T-bar clip with 1/4-20 stud.</li> <li>Hard ceiling anchor provided by others.</li> <li>Remote node box.</li> <li>See <a href="#">instruction sheet</a> for more information.</li> </ul> 	<p><b>WALL MOUNT (WM)</b> Mounts to 4" maximum J-box. Includes wall mounting plate and cast cover.</p>  	<p><b>QUICK SURFACE MOUNT (QM)</b> Quick installation canopy surface mount to octagonal J-box</p>  <p><b>SURFACE MOUNT (SM)</b> Surface mount to octagonal J-box</p> 
---	--	--	---

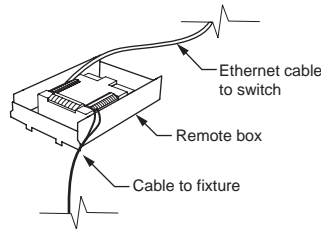
### FIXTURE DETAILS

#### NETWORK CABLE OPTIONS

Must specify network cable when cable mounting.

EXAMPLE: P24/W		
CORD TYPE	LENGTH	COLOR
P = PoE	24 = 24"	/B = Black /W = White
	48 = 48"	
	96 = 96"	

#### REMOTE MOUNT NODE DETAILS



Includes 2' plenum rated 18ga. solid cable. Remote box can be installed in:

- Above ceiling grid
- Remote closet (within 100ft)
- Surface below ceiling

See [Technical Info](#) for dimension details.

<sup>1</sup> For custom colors other than RAL, manufacturers' code plus two swatches (minimum 1" square) required.

