

RND-4 shown with FXA lens

CATALOG #: _____

TYPE: _____

PROJECT: _____

FEATURES

- Williams turn-key Power over Ethernet (PoE) solution provides plug-and-play networked lighting and control
- Flat, convex, or concave lens profile adds visual interest to a variety of applications
- Provides soft, uniform ambient illumination
- Adjustable ring and lens assembly provides clean appearance
- Inner flange prevents light leaks
- Lift-and-twist lens assembly allows for easy maintenance
- Drywall or grid system installation
- Designed and manufactured in the USA

SYSTEM REQUIREMENTS

- Lighting system (site software)
- Gateway or alternate server (runs software)
- PoE switches or Ethernet switches and mid-span power injectors
- See hew.com/poe for details

SPECIFICATIONS

- HOUSING – 20-gauge C.R.S.
- SHIELDING – Frosted acrylic lens, .125" thick.
- FINISH – 92% minimum average reflective white polyester powder coat bonded to phosphate-free, multi-stage pretreated metal on reflective surfaces. Textured matte white powder after fabrication to facilitate installation, increase efficiency, and inhibit corrosion.
- ELECTRICAL – High quality mid-power LED boards. L85 at 50,000 hours. Low-voltage DC fixture, to be fed by Class 2 power supply.
- MOUNTING – For installation in NEMA Type "G", "SS", or "F" ceiling systems. Earthquake clips are standard. Fixture must be installed prior to ceiling system installation.
- LISTINGS – cCSAus certified as luminaire suitable for dry or damp locations.
- WARRANTY – 5-year limited warranty, see hew.com/warranty.

NOTE: Fixture must be installed prior to ceiling system installation.

IMPORTANT: Electrostatic sensitive unit. Observe precautions when handling.

ORDERING EXAMPLE: RND - 4 - P105/835 - FXA - OPTIONS - POE N

ORDERING INFO

SERIES	DIAMETER	LUMENS ^[1]	CRI	CCT	LENS ^[2]
RND	2 2'	2'	8 80	27 2700K	FXA Frosted convex acrylic lens
	3 3'	P19 1,900lm		30 3000K	FCA Frosted concave acrylic lens
	4 4'	P51 5,100lm		35 3500K	FFA Frosted flat acrylic lens
				40 4000K	
		P105 10,500lm	50 5000K		

OPTIONS

See hew.com/poe for compatible sensors and switches.

CONTROL ^[3]

- POE N Power over Ethernet network node
- POE D Power over Ethernet device node ^[4]

NOTES

- Nominal lumen output based on 3500K CCT and FXA shielding. Actual lumens may vary +/-5%, see page 2 for FIXTURE PERFORMANCE DATA
- See page 2 for FIXTURE DETAILS.
- See hew.com/poe for additional PoE information.
- Not available for fixtures over 40W.

FIXTURE PERFORMANCE DATA

	LED PACKAGE	NOMINAL LUMENS	WATTAGE	EFFICACY (lm/W)
2'	P19	1904	24	79.3
3'	P51	5141	49	104.9
4'	P105 ¹	10542	100	105.4

¹ Fixture contains two nodes, one power drop per node required.

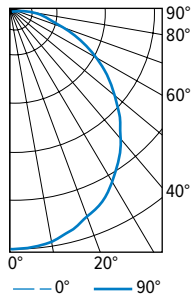
- Photometrics tested in accordance with IESNA LM-79. Results shown are based on 25°C ambient temperature.
- Results based on 3500K, 80 CRI, actual lumens may vary +/-5%
- Use multiplier table to calculate additional options.

MULTIPLIER TABLES

COLOR TEMPERATURE	
CCT	CONVERSION FACTOR
2700K	0.97
3000K	0.99
3500K	1.00
4000K	1.03
5000K	1.06

PHOTOMETRY

RND-4-P105/835-FXA Total Luminaire Output: 10542 lumens; 100 Watts | Efficacy: 105 lm/W | 85 CRI; 3413K CCT

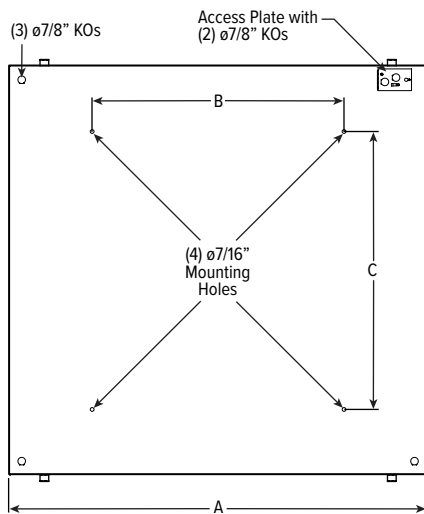


VERTICAL ANGLE	HORIZONTAL ANGLE			ZONAL LUMENS
	0°	45°	90°	
0	3820	3820	3820	
5	3737	3732	3732	356
15	3544	3546	3544	1006
25	3286	3281	3281	1510
35	2851	2851	2851	1786
45	2431	2427	2431	1859
55	1873	1873	1866	1661
65	1289	1286	1284	1271
75	699	695	699	755
85	259	259	262	297
90	110	110	110	

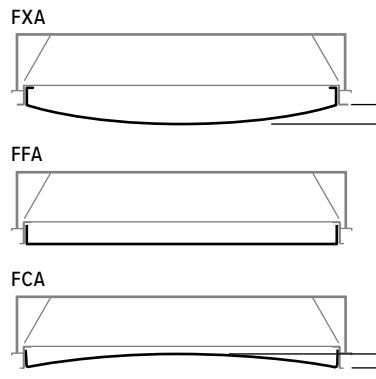
LUMEN SUMMARY	ZONE	LUMENS	% FIXTURE
	0 - 30	2872	27
	0 - 40	4658	44
	0 - 60	8179	78
	0 - 90	10501	100
	0 - 180	10542	100

FIXTURE DETAILS

BACK VIEW



LENS PROFILES



CROSS SECTIONS



FIXTURE SIZE	A (DIA.)	B	C	
			MIN.	MAX.
2'	23"	6-1/16"	1-1/4"	2"
3'	35"	6-1/16"	1-1/4"	2"
4'	47"	6-1/16"	1-1/4"	2"

SERIES	A	B	C	D	E	CUTOUT SIZES
RND-2	24"	14"	10"	1-9/16"	1-1/2"	ø22-1/4" ±1/4"
RND-3	36"	20"	24"	2-1/16"	1-1/2"	ø34-1/4" ±1/4"
RND-4	48"	29"	32"	2-9/16"	1-1/2"	ø46-1/4" ±1/4"

NOTE: Fixture must be installed prior to ceiling system installation.

FINISH OPTIONS

