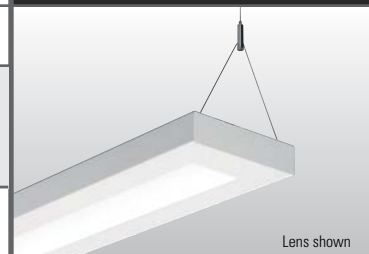


# SUSPENDED DIRECT/INDIRECT

# SDI5

tunable **WHITE** | PoE



Lens shown

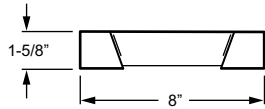
CATALOG #: \_\_\_\_\_ TYPE: \_\_\_\_\_

PROJECT: \_\_\_\_\_ NOTES: \_\_\_\_\_

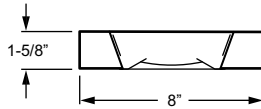
**EXAMPLE** **SDI5 - 4 - P9/835 - DMA - ACY/D48 - OPTIONS - POE N**

SERIES    NOMINAL LENGTH    LUMEN PACKAGE    CRI & CCT    SHIELDING    MOUNTING    OPTIONS    CONTROL

## CROSS SECTION



Lens Shown



Louver Shown

## ORDERING INFORMATION

**SERIES**  
SDI5      Suspended Direct/Indirect – PoE

**NOMINAL LENGTH**  
**Stand-alone** – 4' & 8' nominal lengths, fixture ships assembled.  
Example: **4** = 4'.  
**Row-mount** – Lengths specified in 4' increments  
Example: **12** = 12'.

**PRODUCT BUILDER**  
Simplify ordering & layout design with the Williams Linear Product Builder at [hew.com](http://hew.com)

### LED PACKAGE

Example: P17/835		
LUMEN PACKAGE	NOMINAL LUMENS PER FOOT	WATTAGE PER FOOT
P9	900	6.3
P17	1,700	12.3

Nominal lumen output based on 3500K for single CCT and 4000K for TW. Actual lumens may vary +/-5%, see fixture performance data.

### CRI & CCT

830	82 CRI, 3000K
835	82 CRI, 3500K
840	82 CRI, 4000K
8TW	Tunable white (80 CRI, 3000K–5000K)

### SHIELDING

DMA	Diffuse matte acrylic lens, .080" thick (standard)
144W/DMA	7/16" deep, 44-cell cross-blade louver with diffuse matte acrylic overlay, see page 3 for details

### MOUNTING

See page 3 for details.

EXAMPLE: ACY/D48		
MOUNTING	TYPE	LENGTH
ACY/ = Aircraft	D = 1" grid & hardpan	24 = 24"
	N = 9/16" grid	48 = 48"
	S = Slot grid	96 = 96"

### OPTIONS

For color options, visit the SDI5 online at [hew.com](http://hew.com).  
See [hew.com/poe](http://hew.com/poe) for compatible sensors & switches

**EM/CP12**      Remote mount 12-watt Iota emergency LED battery (requires one additional category cable run to switch, see page 3 for details.)

**SDI5 CORNER**      90° SDI5 corner assembly must be ordered separately. See back for details.

### CONTROL

For additional PoE info, see [hew.com/poe](http://hew.com/poe)  
Node requires remote mounting, see page 3 for details.

**POE N**      Power over Ethernet network node  
**POE D**      Power over Ethernet device node

## FEATURES

- ▶ Williams turn-key Power over Ethernet (PoE) solution provides plug-and-play networked lighting and control.
- ▶ Tunable white from 3000K to 5000K CCT, minimum 80 CRI.
- ▶ Efficacies up to 150 lm/W
- ▶ Spacing ratio up to 2.4 evenly illuminates the environment with fewer luminaires.
- ▶ Standard distribution of 25% down, 75% up for a blend of direct/indirect lighting.
- ▶ Optional 90° corners allow continuous runs around corners (see page 3 for details).
- ▶ Self-aligning joining method ensures straight, continuous rows.
- ▶ Standard acrylic dust cover hinders dirt and dust from entering fixture.
- ▶ This fixture is proudly made in the USA.

## SYSTEM REQUIREMENTS

- Lighting system (site software)
- Gateway or alternate server (runs software)
- PoE switches or Ethernet switches and mid-span power injectors
- See [hew.com/poe](http://hew.com/poe) for details



### SPECIFICATIONS

**Housing** – 20-gauge die-formed C.R.S.  
**Reflective Surfaces** – 92% minimum average reflective white polyester powder coat on interior components.  
**Finish** – Textured matte white polyester TGIC powder coat bonded to phosphate-free, multi-stage pretreated metal. All parts painted after fabrication to facilitate installation, increase efficiency, and inhibit corrosion.  
**Electrical** – High quality mid-power LED board. L70 > 60,000 hours per IES TM-21. Low-voltage DC fixture, to be fed by Class 2 power supply. Tunable White products use LEDs of multiple CCTs and may produce a perceptibly different shade of white from single-CCT products at the same CCT. All CCTs are within 3 MacAdam ellipses.  
**Mounting** – Suspended. 1/16" diameter adjustable steel leveling aircraft cable with two-point "Y" connector and mounting hardware provided.  
**Labels** – cCSAus certified as luminaire suitable for dry or damp locations.  
**Warranty** – 5-year limited warranty, see [hew.com/warranty](http://hew.com/warranty).

### IMPORTANT:

Electrostatic sensitive unit. Observe precautions when handling.

### FIXTURE PERFORMANCE DATA

#### STANDARD

LED PACKAGE	DELIVERED LUMENS	WATTAGE	EFFICACY (lm/W)
4'			
P9	3637	25.1	144.7
P17	6843	49.0	139.6
8'			
P9	7210	47.1	153.0
P17 <sup>1</sup>	13685	98.0	139.6

#### TUNABLE WHITE

LED PACKAGE	DELIVERED LUMENS	WATTAGE	EFFICACY (lm/W)
4'			
P9	3603	26.0	138.8
P17	6839	49.6	137.8
8'			
P9	7207	49.5	145.6
P17 <sup>1</sup>	13687	99.3	137.9

### MULTIPLIER TABLES

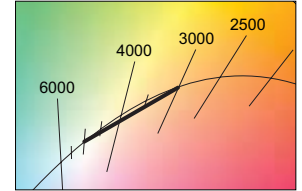
#### STANDARD

CCT	CONVERSION FACTOR
3000K	0.99
3500K	1.00
4000K	1.03

#### TUNABLE WHITE

CCT	CONVERSION FACTOR
3000K	0.95
3500K	0.98
4000K	1.00
5000K	0.96

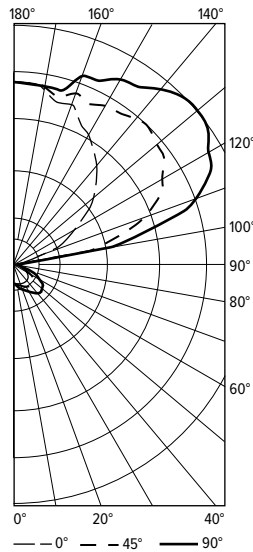
LENS	CONVERSION FACTOR
144W/DMA	0.95



- <sup>1</sup> Fixture contains two nodes; one power drop per node required.
- Photometrics tested in accordance with IESNA LM-79. Results shown are based on 25°C ambient temperature.
- Standard results based on 3500K standard, 80 CRI, actual lumens may vary +/-5%
- Tunable white results based on 4000K standard, 80 CRI, actual lumens may vary +/-5%
- Use multiplier table to calculate additional options.

### PHOTOMETRY

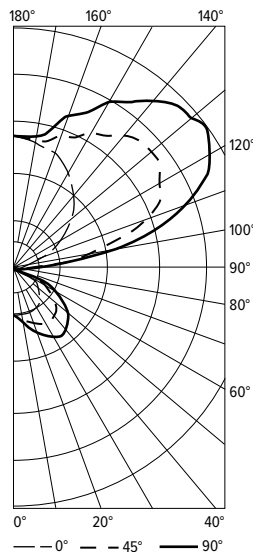
**SDI5-4-P9/835-DMA** Total Luminaire Output: 3637 lumens; 25.1 Watts | Efficacy: 145 lm/W



Vertical Angle	Horizontal Angle			Zonal Lumens
	0°	45°	90°	
0	57	57	57	
5	61	61	62	6
15	68	87	109	26
25	81	139	207	66
35	95	202	301	124
45	105	231	329	170
55	97	200	276	170
65	74	132	176	126
75	38	64	80	66
85	8	15	15	19
90	1	5	5	
95	14	112	109	119
105	81	408	508	383
115	189	609	706	525
125	286	658	824	544
135	366	641	799	473
145	433	600	724	369
155	481	540	622	254
165	511	521	531	148
175	527	521	515	50
180	521	521	521	

	Zone	Lumens	% Fixture
LUMEN SUMMARY	0 - 30	98	3
	0 - 40	222	6
	0 - 60	562	15
	0 - 90	772	21
	90 - 120	1027	28
	90 - 150	2412	66
	90 - 180	2864	79
	0 - 180	3637	100

**SDI5-8-P17/835-DMA** Total Luminaire Output: 6843 lumens; 49 Watts | Efficacy: 140 lm/W

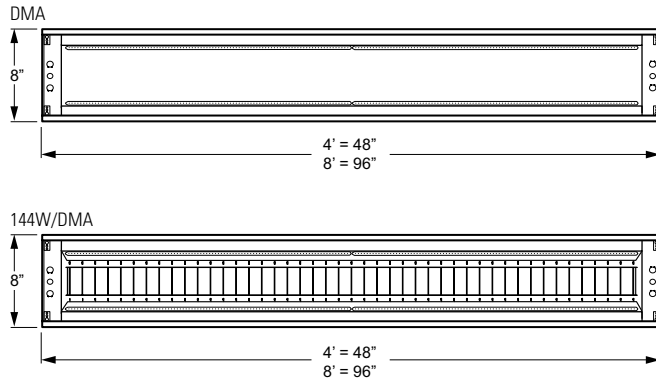


Vertical Angle	Horizontal Angle			Zonal Lumens
	0°	45°	90°	
0	266	266	266	
5	275	279	280	27
15	279	311	344	89
25	281	367	444	168
35	280	408	513	249
45	254	401	512	300
55	213	337	420	292
65	158	241	289	229
75	84	123	144	127
85	20	29	34	34
90	0	1	2	
95	26	144	55	159
105	152	685	880	660
115	349	1138	1350	976
125	525	1256	1573	1027
135	697	1278	1591	920
145	810	1142	1373	701
155	917	1036	1205	494
165	966	990	1021	290
175	1042	1044	1044	99
180	1048	1048	1048	

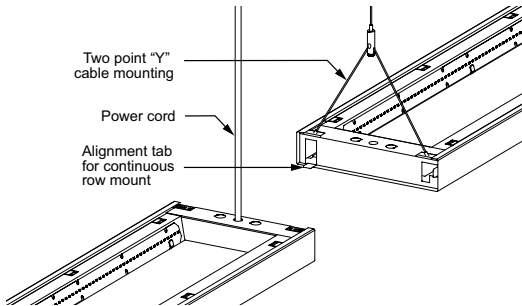
	Zone	Lumens	% Fixture
LUMEN SUMMARY	0 - 30	284	4
	0 - 40	533	8
	0 - 60	1126	17
	0 - 90	1516	22
	90 - 120	1795	26
	90 - 150	4443	65
	90 - 180	5327	78
	0 - 180	6843	100

## FIXTURE DETAILS

### BACK VIEW

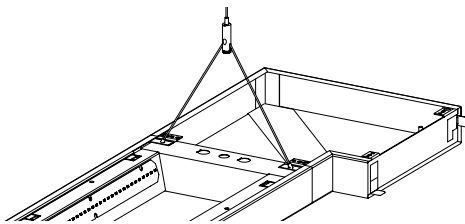


### CONTINUOUS ROW DETAILS



For continuous row mount, suspend fixture using aircraft cable at every fixture intersection and at both ends. Make the electrical connections using the plug-in wiring harness (provided). Install end plates on each end of the continuous row.

### 90° CORNER ASSEMBLY (FOR CONTINUOUS ROW INSTALLATIONS)



**Housing** – 22-gauge die-formed, welded C.R.S.  
**Finish** – Textured matte white polyester TGIC powder coat bonded to phosphate-free, multi-stage pretreated metal.

**Example: SDI5 CORNER**

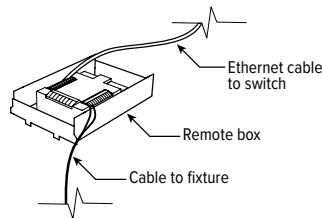
### REMOTE MOUNT DETAILS

Includes 2' plenum-rated 18ga. solid cable.  
 Remote box can be installed in:

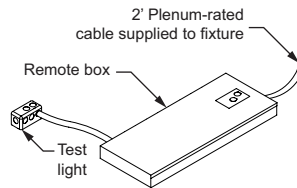
- Above ceiling grid
- Remote closet (within 100ft)
- Surface below ceiling

See Technical Info for dimension details.

#### NODE

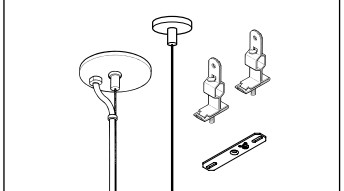


#### NODE AND EM OPTION

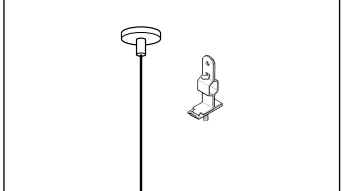


### STANDARD HARDWARE (Grid and Hardpan)

#### FEEDER



#### JOINER



#### Notes:

- Fixtures are provided with adjustable length aircraft cables with two-point "Y" connectors and mounting hardware, must specify.
- Electrical supply is brought into each fixture, either as part of a row or as a stand-alone unit. One power drop per node required.

### LOUVER DETAIL

