

6" ROUND LED DOWNLIGHT

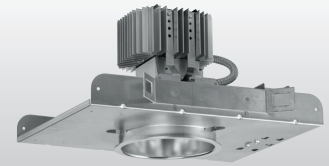
L60

tunable **COLOR**

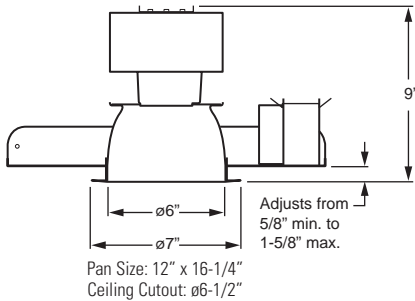
CATALOG #:	TYPE:
PROJECT:	NOTES:

EXAMPLE → **L60** - **L27/9TC** - **CS/W** - **OPTIONS** - **DALI** - **120**

SERIES LUMEN PACKAGE CRI & CCT REFLECTOR DIST. FINISH OPTIONS CONTROL VOLTAGE



CROSS SECTION



ORDERING INFORMATION

SERIES
L60 6" Round LED Downlight – Tunable Color

LED PACKAGE

Example: L27/9TC		
LUMEN PACKAGE	NOMINAL LUMENS	WATTAGE
L27	2700	75

Nominal lumen output based on 4000 CCT CS reflector and W distribution. Actual lumens may vary +/-5%, see fixture performance data.

COLOR
9TC Tunable color (90 CRI, 1650K–8000K)

REFLECTOR FINISH

CS	Clear semi-specular (standard)
CG	Champagne gold
GD	Gold
PW	Pewter
SG	Satin-glow
SPC	Clear specular
STR	Straw
WH	Painted white reflector, textured (cannot be used with ___/CAL or ___/CGS)
WT	Wheat

DISTRIBUTION ¹

W	75° Wide
M	50° Medium

OPTIONS

MWT	Matte white trim
AC/CAL	Accent cone with clear acrylic lens (wide distribution only)
MB/CAL	Micro-baffle with clear acrylic lens (wide distribution only)
AC/CGS	Accent cone with clear glass lens (wide distribution only)
MB/CGS	Micro-baffle with clear glass lens (wide distribution only)
LAD	Acrylic luminous disk (CS reflector only)
LADO	Acrylic luminous disk open (CS reflector only)
LAR	Acrylic luminous ring (CS reflector only)
SCA__	Sloped ceiling adapter (specify degrees of slope in 5° increments, 5°-30°. SCA increases fixture height, see Information for details.)
WET/CC	Wet location, covered ceiling listed (when specified with ___/CAL or ___/CGS options).
WW	Wall wash (wide distribution only; not available with sloped adapter options, AC, MB, AC/___ or MB/___)

CONTROL

See back for details.

BTL	Bluetooth LE enabled
DALI	DALI Type 8 enabled
DIM	(1) 0-10V signal to control dimming (1) 0-10V signal to control CCT (will only control white light CCT range, will not have pure color output)
DMX	DMX enabled
LUT	Lutron Ecosystem enabled
WS	Wattstopper DLM enabled

VOLTAGE

120	120V
277	277V

FEATURES

- ▶ Tunable color from 1650K to 8000K CCT, minimum 90 CRI.
- ▶ LED module accessible from below ceiling plane for ease of maintenance (top access required for drivers).
- ▶ Optional wet location under covered ceiling available when specified with ___/CAL or ___/CGS option.
- ▶ Finned, extruded aluminum, passive heat sink dissipates heat for superior thermal management.
- ▶ Integral pan throat field-adjusts to accommodate ceilings up to 1-5/8" thick.
- ▶ Self-flanged aluminum reflector offers maximum optical performance and provides crisp, clean installation without unsightly light leaks.
- ▶ Adjustable hanger brackets for bar hangers standard.
- ▶ Sturdy one-piece pan construction.
- ▶ This fixture is proudly made in the USA.

¹ Beam angle/distribution does not account for options/accessories such as accent cone with lens, acrylic accent rings, wall wash, or alternate reflector finishes. Actual beam angle/distribution may vary. Consult factory with complete model number for approximate values.

SPECIFICATIONS

Housing – 20-gauge die-formed galvanized steel pan/plaster frame with adjustable throat (5/8" to 1-5/8"). Extruded aluminum heat sink.

Reflector – Low- iridescent aluminum. Clear semi-specular (CS) finish standard.

Electrical – Five color, mid-power LED modules. On board thermal and optical feedback ensure color consistency of <2 step MacAdam ellipse (SDCM) and L70>50,000 hours. In-line spectral capture and storage results in consistent CRI and CCT across all arrays.

Mounting – Recessed. Top access required for driver maintenance.

Labels – cETLus conforms to UL STD 1598; Certified to CAN/CSA STD C22.2 No. 250.0. Suitable for damp locations. Suitable for wet location under covered ceiling when specified with AC/CAL or MB/CAL option.

Qualifications – RoHS compliant.

Warranty – 5-year limited warranty, see hew.com/warranty.

FIXTURE PERFORMANCE DATA

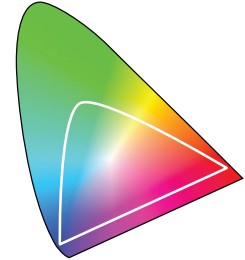
LED PACKAGE	COLOR	DISTRIBUTION	DELIVERED LUMENS	CRI	WATTAGE	EFFICACY
L27	4000K	W	2878	98	74.9	38.4
		M	2720			36.3
	RED	W	304	-	12.8	23.8
		M	288			22.5
	BLUE	W	136	-	21.5	6.3
		M	128			6.0
	GREEN	W	973	-	33.7	48.4
		M	920			45.7

- Photometrics tested in accordance with IESNA LM-79. Results shown are based on 25°C ambient temperature.
- Wattage shown is average for 120V through 277V input.
- Results based on 4000K, 90 CRI, actual lumens may vary +/-5%
- Use multiplier table to calculate additional options.

MULTIPLIER TABLE

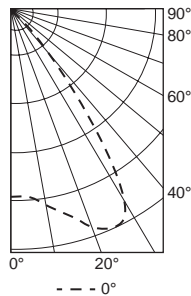
CCT	CONVERSION FACTOR	
	LUMENS	WATTAGE
2000K	0.46	0.45
2700K	0.74	0.63
3000K	0.85	0.74
3500K	0.94	0.87
4000K	1.00	1.00
5000K	0.94	0.97
6000K	0.86	0.96
8000K	0.70	0.81

REFLECTOR FINISH		
CATALOG NUMBER	REFLECTOR FINISH	CONVERSION FACTOR
CS	Clear semi-specular	1.00
SPC	Specular	1.02
CG	Champagne Gold	0.96
GD	Gold	0.93
PW	Pewter	0.86
STR	Straw	0.97
WH	White, textured	0.90
WT	Wheat	0.88



PHOTOMETRY

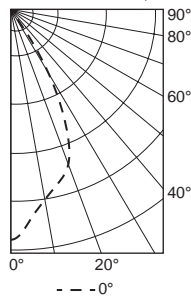
L60-L27/9TC-CS-W-DALI Total Luminaire Output: 2878 lumens; 75 Watts
Efficacy: 38 lm/W | 82.7 CRI; 3494K CCT | IES Spacing Crit.: End: 1.1, Across: 1.2, Diag.: 1.2



CANDLEPOWER DISTRIBUTION	Vertical Angle	Horizontal Angle	Zonal Lumens
		0°	
	0	1765	
	5	1772	172
	15	2001	576
	25	2261	1027
	35	1291	804
	45	281	231
	55	37	42
	65	14	14
	75	6	7
	85	3	3
	90	3	

LUMEN SUMMARY	Zone	Lumens	% Fixture
	0 - 30	1776	62
	0 - 40	2580	90
	0 - 60	2854	99
	0 - 90	2878	100
	0 - 180	2878	100

L60-L27/9TC-CS-M-DALI Total Luminaire Output: 2720 lumens; 75 Watts
Efficacy: 36 lm/W | 84.9 CRI; 3544K CCT | IES Spacing Crit.: End: 1.2, Across: 1.2, Diag.: 1.3



CANDLEPOWER DISTRIBUTION	Vertical Angle	Horizontal Angle	Zonal Lumens
		0°	
	0	4097	
	5	3771	349
	15	3192	897
	25	2289	1022
	35	529	385
	45	67	57
	55	5	6
	65	2	2
	75	0	1
	85	1	1
	90	1	

LUMEN SUMMARY	Zone	Lumens	% Fixture
	0 - 30	2268	83
	0 - 40	2653	98
	0 - 60	2716	100
	0 - 90	2720	100
	0 - 180	2720	100

CONTROL DETAILS

DALI



Lutron Ecosystem



Wattstopper DLM



DMX

