

6" ROUND LED DOWNLIGHT

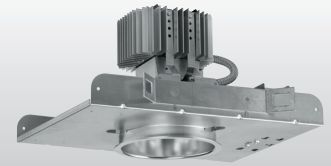
L60

dim to **WARM**

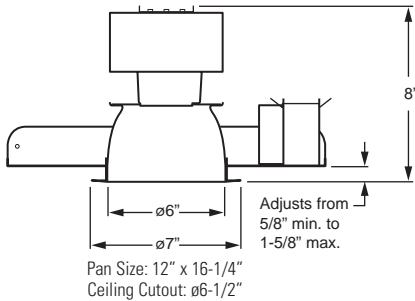
| | |
|------------|--------|
| CATALOG #: | TYPE: |
| PROJECT: | NOTES: |

EXAMPLE → **L60** - **L13/9DW** - **CS/M** - **OPTIONS** - **DIM** - **120**

SERIES LUMEN PACKAGE CRI & CCT REFLECTOR DIST. FINISH OPTIONS CONTROL VOLTAGE



CROSS SECTION



ORDERING INFORMATION

SERIES

L60 6" Round LED Downlight – Dim to Warm

LED PACKAGE

| Example: L13/9DW | | |
|------------------|----------------|---------|
| LUMEN PACKAGE | NOMINAL LUMENS | WATTAGE |
| L13 | 1300 | 30 |

Nominal lumen output based on full light output, CS reflector and W distribution. Actual lumens may vary +/-5%, see fixture performance data.

COLOR

9DW Dim to warm (90 CRI, 1800K–3000K)

REFLECTOR FINISH

| | |
|------------|--|
| CS | Clear semi-specular (standard) |
| CG | Champagne gold |
| GD | Gold |
| PW | Pewter |
| SG | Satin-glow |
| SPC | Clear specular |
| STR | Straw |
| WH | Painted white reflector, textured (cannot be used with ___/CAL or ___/CGS) |
| WT | Wheat |

DISTRIBUTION ¹

| | |
|----------|------------|
| W | 75° Wide |
| M | 50° Medium |

OPTIONS

| | |
|---------------|--|
| MWT | Matte white trim |
| AC/CAL | Accent cone with clear acrylic lens (wide distribution only) |
| MB/CAL | Micro-baffle with clear acrylic lens (wide distribution only) |
| AC/CGS | Accent cone with clear glass lens (wide distribution only) |
| MB/CGS | Micro-baffle with clear glass lens (wide distribution only) |
| LAD | Acrylic luminous disk (CS reflector only) |
| LADO | Acrylic luminous disk open (CS reflector only) |
| LAR | Acrylic luminous ring (CS reflector only) |
| SCA__ | Sloped ceiling adapter (specify degrees of slope in 5° increments, 5°-30°. SCA increases fixture height, see Information for details.) |
| WET/CC | Wet location, covered ceiling listed (when specified with ___/CAL or ___/CGS options). |
| WW | Wall wash (wide distribution only; not available with sloped adapter options, AC, MB, AC/___ or MB/___) |

CONTROL

| | |
|------------|---|
| DIM | (1) 0-10V signal to control dimming and CCT |
| LUT | Lutron Ecosystem enabled |

VOLTAGE

| | |
|------------|----------|
| 120 | 120V |
| 277 | 277V |
| UNV | 120-277V |

FEATURES

- ▶ Dim to warm from 1800K to 3000K CCT, minimum 90 CRI.
- ▶ LED module accessible from below ceiling plane for ease of maintenance (top access required for driver).
- ▶ Optional wet location under covered ceiling available when specified with ___/CAL or ___/CGS option.
- ▶ Finned, extruded aluminum, passive heat sink dissipates heat for superior thermal management.
- ▶ Integral pan throat field-adjusts to accommodate ceilings up to 1-5/8" thick.
- ▶ Self-flanged aluminum reflector offers maximum optical performance and provides crisp, clean installation without unsightly light leaks.
- ▶ Adjustable hanger brackets for bar hangers standard.
- ▶ Sturdy one-piece pan construction.
- ▶ This fixture is proudly made in the USA.

¹ Beam angle/distribution does not account for options/accessories such as accent cone with lens, acrylic accent rings, wall wash, or alternate reflector finishes. Actual beam angle/distribution may vary. Consult factory with complete model number for approximate values.



L60

dim to **WARM**

6" ROUND LED DOWNLIGHT

SPECIFICATIONS

Housing – 20-gauge die-formed galvanized steel pan/plaster frame with adjustable throat (5/8" to 1-5/8"). Extruded aluminum heat sink.

Reflector – Low- iridescent aluminum. Clear semi-specular (CS) finish standard.

Electrical – Five color, mid-power LED modules. On board thermal and optical feedback ensure color consistency of <2 step MacAdam ellipse (SDCM) and L70>50,000 hours. In-line spectral capture and storage results in consistent CRI and CCT across all arrays.

Mounting – Recessed. Top access required for driver maintenance.

Labels – cETLus conforms to UL STD 1598; Certified to CAN/CSA STD C22.2 No. 250.0. Suitable for damp locations. Suitable for wet location under covered ceiling when specified with AC/CAL or MB/CAL option.

Qualifications – RoHS compliant.

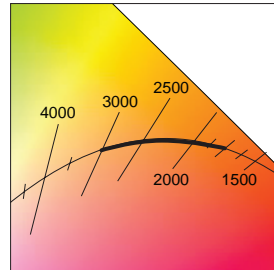
Warranty – 5-year limited warranty, see hew.com/warranty.

FIXTURE PERFORMANCE DATA

| LED PACKAGE | DISTRIBUTION | DELIVERED LUMENS | CCT AT 100% (FULL OUTPUT) | CCT AT 1% (FULL DIM) | WATTAGE | EFFICACY |
|-------------|--------------|------------------|---------------------------|----------------------|---------|----------|
| L13 | W | 1314 | 3050K | 1800K | 29.7 | 44.2 |
| | M | 1242 | | | | 41.8 |

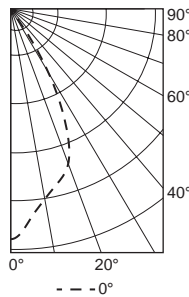
- Photometrics tested in accordance with IESNA LM-79. Results shown are based on 25°C ambient temperature.
- Wattage shown is average for 120V through 277V input.
- Actual lumens may vary +/-5%.
- Use multiplier table to calculate additional options.

| REFLECTOR FINISH MULTIPLIER TABLE | | |
|-----------------------------------|---------------------|-------------------|
| CATALOG NUMBER | REFLECTOR FINISH | CONVERSION FACTOR |
| CS | Clear semi-specular | 1.00 |
| SPC | Specular | 1.02 |
| CG | Champagne Gold | 0.96 |
| GD | Gold | 0.93 |
| PW | Pewter | 0.86 |
| STR | Straw | 0.97 |
| WH | White, textured | 0.90 |
| WT | Wheat | 0.88 |



PHOTOMETRY

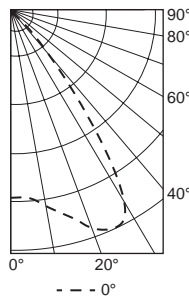
L60-L13/9DW-CS-M-DIM Total Luminaire Output: 1242 lumens; 30 Watts | Efficacy: 42 lm/W



| CANDLEPOWER DISTRIBUTION | Vertical Angle | Horizontal Angle | Zonal Lumens |
|--------------------------|----------------|------------------|--------------|
| | 0° | 0° | |
| | 0 | 1871 | |
| | 5 | 1722 | 159 |
| | 15 | 1458 | 410 |
| | 25 | 1045 | 467 |
| | 35 | 242 | 176 |
| | 45 | 30 | 26 |
| | 55 | 2 | 3 |
| | 65 | 1 | 1 |
| | 75 | 0 | 0 |
| | 85 | 0 | 0 |
| | 90 | 0 | 0 |

| LUMEN SUMMARY | Zone | Lumens | % Fixture |
|---------------|---------|--------|-----------|
| | 0 - 30 | 1036 | 83 |
| | 0 - 40 | 1212 | 98 |
| | 0 - 60 | 1240 | 100 |
| | 0 - 90 | 1242 | 100 |
| | 0 - 180 | 1242 | 100 |

L60-L13/9DW-CS-W-DIM Total Luminaire Output: 1314 lumens; 30 Watts | Efficacy: 44 lm/W



| CANDLEPOWER DISTRIBUTION | Vertical Angle | Horizontal Angle | Zonal Lumens |
|--------------------------|----------------|------------------|--------------|
| | 0° | 0° | |
| | 0 | 806 | |
| | 5 | 809 | 79 |
| | 15 | 913 | 263 |
| | 25 | 1032 | 469 |
| | 35 | 590 | 367 |
| | 45 | 128 | 106 |
| | 55 | 17 | 19 |
| | 65 | 6 | 6 |
| | 75 | 3 | 3 |
| | 85 | 1 | 2 |
| | 90 | 1 | |

| LUMEN SUMMARY | Zone | Lumens | % Fixture |
|---------------|---------|--------|-----------|
| | 0 - 30 | 811 | 62 |
| | 0 - 40 | 1178 | 90 |
| | 0 - 60 | 1303 | 99 |
| | 0 - 90 | 1314 | 100 |
| | 0 - 180 | 1314 | 100 |