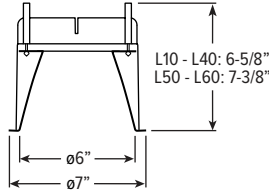


6DR LED 6" Downlight – Round



CATALOG #: _____

TYPE: _____

PROJECT: _____

NEW CONSTRUCTION AND REMODEL

FEATURES

TrimLock™

- Williams TrimLock reflector retention system eliminates trim sag
- Industry-leading efficacies as high as 116 lm/W – ENERGY STAR® certified
- Fully room-side accessible
- Available on QuickShip

SPECIFICATIONS

- HOUSING** – Die-cast aluminum trim housing with forged aluminum heat sink. Galvanized steel splice compartment with driver mounting plate/enclosure. Swing-out mounting arms adjust for ceiling thickness from 1/2" - 1-7/16" (see options for additional ceiling thicknesses).
- TRIMLOCK** – Innovative TrimLock reflector retention system ensures the trim remains flush with the ceiling plane.
- OPEN REFLECTOR** – Low-iridescent anodized aluminum. Clear semi-specular finish standard.
- LENSED TRIM** – Recessed. 20 ga. galvanized steel mounting pan for new construction or IC-rated enclosure. Remodel kit option includes receiver bracket hardware. Minimum 24" O.C. marked spacing required for L60 lumen package.
- ELECTRICAL** – High-performance Class 2 C.O.B. LED array. Modular quick-connect plug for easy field-connection of LED light assembly to driver. Reported L70>55,000 hours. Reported L90>55,000 hours. Estimated L70 = 200,000 hours.
- MOUNTING** – Recessed. 20 ga. galvanized steel mounting pan for new construction or IC-rated enclosure. Remodel kit option includes receiver bracket hardware. Minimum 24" O.C. marked spacing required for L60 lumen package.
- LISTINGS** –
 - cCSAus conforms to UL STD 1598; Certified to CAN/CSA STD C22.2 No. 250.0 for damp locations. LED light assembly conforms to UL 2108 for remote installation.
 - Suitable for wet location under covered ceiling when specified with WET/CC or TD options.
 - ENERGY STAR® certified in select configurations, see www.energystar.gov
 - IC-rated for direct contact with insulation when specified with I Mounting Type.
 - City of Chicago Environmental Air approved when specified with CP option.
 - Complies with ASTM-E283 when specified with ATH option.
 - RoHS compliant.
- WARRANTY** – 5-year limited warranty, see hew.com/warranty.

ORDERING EXAMPLE:⁽¹⁾ **6DR - TL - L20/835 - OPTIONS - DIM - UNV - OW - OF - CS - TRIM OPTIONS - N - F1**

HOUSING

SERIES	LUMENS ⁽²⁾	CRI	CCT	OPTIONS	DRIVER ⁽³⁾	VOLTAGE
6DR - TL	L10 1,000lm	8 80	27 2700K	SCA__ Sloped ceiling adapter ⁽⁴⁾	DIM Dimming driver, 0-10V	UNV 120-277V
TrimLock	L15 1,500lm	9 90	30 3000K	ATH Airtight construction	DIM1 1% Dimming driver, 0-10V	347 347V ⁽⁵⁾
	L20 2,000lm		35 3500K	F Fuse		
	L30 3,000lm		40 4000K	EM/10W 10-watt emergency battery ⁽⁶⁾		
	L40 4,000lm			EM/10W/ITS 10-watt emergency battery with integral test switch ⁽⁷⁾		
	L50 5,000lm			CP Chicago plenum (CCEA) ⁽⁸⁾		
	L60 6,000lm			SDT Stepdown transformer ⁽⁹⁾		
				TC Adjustable mounting arms for 1-1/2" – 2-1/4" thick ceilings		

TRIM

TRIM TYPE	DISTRIBUTION ⁽¹⁰⁾	FLANGE TYPE	REFLECTOR FINISH	TRIM OPTIONS
O Open reflector	W Wide	OF 1/2" standard flange	Open trim types	MWT Textured white trim flange ⁽¹⁷⁾
L Flush lens	65° Open	SF 1/4" mud-in flange ⁽¹⁶⁾	CS Clear semi-specular anodize	MB Regressed lens trim with texture black splay and white flange ⁽¹⁸⁾
R Regressed lens	55° Flush		SG Satin-glow anodize	IP IP65 rated trim ⁽¹⁹⁾
A Angled lens ⁽¹¹⁾	55° Regressed		GD Gold anodize	AD Diffuse acrylic lens ⁽²⁰⁾
S Non-conductive flush lens for shower applications ⁽¹²⁾	M Medium ⁽¹³⁾		CG Champagne gold anodize	PD Diffuse 1/8" polycarbonate lens ⁽²¹⁾
	35° Open		PW Pewter anodize	TD Diffuse polycarbonate lens media at top of open reflector ⁽²²⁾
	35° Flush		SPC Clear specular anodize	WET/CC Wet location, covered ceiling listed ⁽²³⁾
	35° Regressed		RG Rose gold anodize	
	N Narrow ⁽¹⁴⁾		WH White texture powder coat	
	10° Open		BL Black texture powder coat	
	25° Flush		Len's trim types	
	25° Regressed		CS Clear semi-specular powder coat	
WW Wall wash ⁽¹⁵⁾			WH White texture powder coat	
			BL Black texture powder coat	

MOUNTING

MOUNTING TYPE⁽²⁴⁾

- N Open pan for new construction
- I IC-rated enclosure for new construction⁽²⁶⁾
- R Remodel kit⁽²⁷⁾

MOUNTING HARDWARE⁽²⁵⁾

- F1 2-Position fixed pan bracket, universal bar hanger included
- F2 2-Position fixed pan bracket, t-bar bar hanger included

NOTES

- Housing, trim, and mounting ship separately.
- Lumen output based on O trim type, W distribution and CS finish, 3500K/80CRI. Actual lumens may vary +/-5%, see page 2 for FIXTURE PERFORMANCE DATA.
- See page 4 for ADDITIONAL DRIVER OPTIONS.
- 9" aperture, specify degrees of slope in 5° increments, 05°-30°, see page 4 for SLOPED CEILING ADAPTOR DETAILS. N Mounting Type only.
- Not available with EM batteries.
- N Mounting Type only.
- Not available with WET/CC. N Mounting Type and O Trim Type only, requires alternate construction and trim retention, see page 5 for MOUNTING TYPE DETAILS.
- I Mounting Type required.
- May be required for 347V, see product builder at hew.com
- Beam angle based on W distribution with CS or WH reflector finish, see page 2 for FIXTURE PERFORMANCE DATA.
- Available with WW Distribution only.
- W Distribution, OF Flange Type and WH Reflector Finish only. Only available with AD diffuse acrylic lens, standard. IP and WET/CC options standard.
- Not available with lumen stops L50 and higher when specified with flush or regressed trim types.
- Not available with lumen stops L50 and higher when specified with flush or regressed trim types.
- Not available with lumen stops L50 and higher when specified with flush or regressed trim types.
- O and A Trim Types only.
- For use with mud-in plaster construction only, supplied with mud flange installation kit, see page 4 for FLANGE TYPE DETAILS, not available with CP, ATH or IP options.
- O Trim Type and OF Flange Type only. Not available with WH Reflector Finish.
- R Trim Type only.
- L and R trim types only.
- L and R Trim Types only. Wide distribution only.
- L and R Trim Types only. Wide distribution only.
- O Trim Type only. WET/CC standard.
- Reduces lumen output, use .85 multiplier.
- Mounting hardware required (N and I only), ordered separately, see MOUNTING HARDWARE ordering info. See page 5 for MOUNTING TYPE DETAILS.
- Specify for N and I Mounting Types only. Additional mounting hardware options available, see page 5 for MOUNTING HARDWARE DETAILS.
- L30 lumen package max.
- Also used in new construction sheetrock ceilings.



6DR LED 6" Downlight – Round

FIXTURE PERFORMANCE DATA

OPEN REFLECTOR TRIM TYPE

LED PACKAGE	DISTRIBUTION	DELIVERED LUMENS	WATTAGE	EFFICACY (lm/W)
L10	W	1014	8.7	116.9
	M	982	8.7	113.2
	N	1003	8.7	115.7
L15	W	1497	13.8	108.6
	M	1495	13.8	108.4
	N	1528	13.8	110.8
L20	W	1986	19.2	103.6
	M	1983	19.1	103.8
	N	2026	19.1	106.1
L30	W	3062	26.9	114.0
	M	3003	26.9	111.8
	N	3000	26.9	111.7
L40	W	4094	36.5	112.2
	M	4016	36.4	110.3
	N	4011	36.4	110.2
L50	W	5014	43.9	114.1
	M	4935	43.9	112.3
	N	5047	43.9	114.9
L60	W	6043	54.0	111.9
	M	5948	54.0	110.1
	N	6083	54.0	112.6

FLUSH LENS TRIM TYPE

LED PACKAGE	DISTRIBUTION	DELIVERED LUMENS	WATTAGE	EFFICACY (lm/W)
L10	W	774	8.7	89.2
	M	910	8.7	104.9
	N	909	8.7	104.8
L15	W	1178	13.8	85.4
	M	1385	13.8	100.4
	N	1384	13.8	100.4
L20	W	1562	19.5	80.1
	M	1837	19.1	96.1
	N	1836	19.5	94.2
L30	W	2335	26.9	86.9
	M	2782	26.9	103.6
	N	2718	26.9	101.2
L40	W	3122	36.5	85.5
	M	3720	36.4	102.2
	N	3635	36.4	99.9
L50	W	3824	43.9	87.0
	M	4572	43.9	104.1
	N	4574	43.9	104.1
L60	W	4609	54.0	85.4
	M	5510	54.0	102.0
	N	5513	54.0	102.1

REGRESSED LENS TRIM TYPE

LED PACKAGE	DISTRIBUTION	DELIVERED LUMENS	WATTAGE	EFFICACY (lm/W)
L10	W	716	8.7	82.5
	M	883	8.7	101.7
	N	897	8.7	103.4
L15	W	1090	13.8	79.0
	M	1344	13.8	97.4
	N	1366	13.8	99.1
L20	W	1445	19.5	74.1
	M	1782	19.1	93.3
	N	1812	19.5	92.9
L30	W	2160	26.9	80.4
	M	2699	26.9	100.5
	N	2683	26.9	99.9
L40	W	2889	36.5	79.1
	M	3609	36.4	99.1
	N	3587	36.4	98.6
L50	W	3537	43.9	80.5
	M	4435	43.9	100.9
	N	4514	43.9	102.7
L60	W	4264	54.0	79.0
	M	5345	54.0	99.0
	N	5440	54.0	100.7

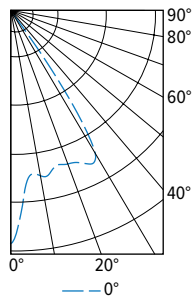
MULTIPLIER TABLES

COLOR TEMPERATURE		OPEN REFLECTOR FINISH	
CCT	CONVERSION FACTOR	CATALOG NUMBER	REFLECTOR FINISH
2700K	0.95	CS	Clear semi-specular
3000K	0.96	SG	Satin-glow
3500K	1.00	GD	Gold
4000K	1.01	CG	Champagne Gold
		PW	Pewter
		SPC	Specular
		RG	Rose Gold
		WH	White, textured
		BL	Black, textured

- Photometrics tested in accordance with IESNA LM-79. Results shown are based on 25°C ambient temperature.
- Wattage shown is based on 120V input.
- Results based on 3500K, 80 CRI, actual lumens may vary +/-5%
- Use multiplier table to calculate additional options.

PHOTOMETRY

6DR-TL-L20/835-DIM-UNV-OW-OF-CS Report #: 12326812.01; 05/31/18 | Total Luminaire Output: 1986 lumens; 19.2 Watts | Efficacy: 103.6 lm/W | 82.7 CRI; 3598K CCT



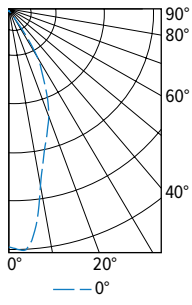
CANDLEPOWER DISTRIBUTION	VERTICAL ANGLE	HORIZONTAL ANGLE	ZONAL LUMENS
		0°	
	0	2418	
	5	1807	123
	15	1683	276
	25	1741	446
	35	607	89
	45	66	22
	55	26	9
	65	7	3
	75	2	1
	85	0	0
	90	0	

LUMEN SUMMARY	ZONE	LUMENS	% FIXTURE
	0 - 40	1900	96
	0 - 60	1977	100
	0 - 90	1986	100
	0 - 180	1986	100



6DR LED 6" Downlight – Round

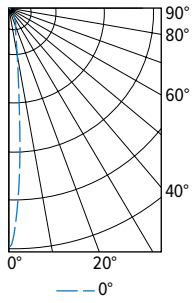
6DR-TL-L20/835-DIM-UNV-OM-OF-CS Report #: 12326812.04; 05/01/18 | Total Luminaire Output: 1983 lumens; 19.1 Watts | Efficacy: 103.8 lm/W | 82.7 CRI; 3579K CCT



CANDLEPOWER DISTRIBUTION	VERTICAL ANGLE	HORIZONTAL ANGLE	ZONAL LUMENS
		0°	
	0	4013	
	5	3972	249
	15	2325	347
	25	1412	68
	35	396	68
	45	46	15
	55	14	5
	65	4	2
	75	1	0
	85	0	0
	90	0	0

LUMEN SUMMARY	ZONE	LUMENS	% FIXTURE
	0 - 40	1924	97
	0 - 60	1977	100
	0 - 90	1983	100
	0 - 180	1983	100

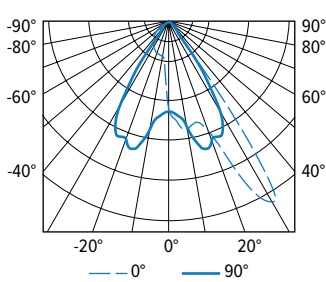
6DR-TL-L20/835-DIM-UNV-ON-OF-CS Report #: 12326812.05; 06/06/18 | Total Luminaire Output: 2026 lumens; 19.1 Watts | Efficacy: 106.1 lm/W | 82.6 CRI; 3578K CCT



CANDLEPOWER DISTRIBUTION	VERTICAL ANGLE	HORIZONTAL ANGLE	ZONAL LUMENS
		0°	
	0	22000	
	5	9830	397
	15	2032	290
	25	1021	214
	35	242	24
	45	13	4
	55	4	1
	65	1	1
	75	0	0
	85	0	0
	90	0	0

LUMEN SUMMARY	ZONE	LUMENS	% FIXTURE
	0 - 40	2010	99
	0 - 60	2024	100
	0 - 90	2026	100
	0 - 180	2026	100

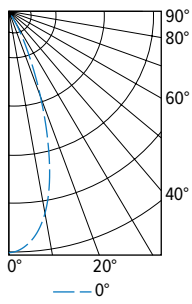
6DR-TL-L20/835-DIM-UNV-OWW-OF-CS Report #: 12326812.06; 06/28/18 | Total Luminaire Output: 1009 lumens; 19.1 Watts | Efficacy: 52.8 lm/W | 82.6 CRI; 3568K CCT



CANDLEPOWER DISTRIBUTION	VERTICAL ANGLE	HORIZONTAL ANGLE					ZONAL LUMENS
		0°	45°	90°	135°	180°	
	0	772	772	772	772	772	
	5	873	843	805	494	403	48
	15	891	872	1128	275	292	108
	25	1552	925	1051	240	274	194
	35	539	400	375	206	235	58
	45	43	36	88	166	185	37
	55	21	20	54	116	122	27
	65	16	14	32	70	72	18
	75	7	5	15	39	39	9
	85	0	0	3	10	8	1
	90	0	0	0	0	0	

LUMEN SUMMARY	ZONE	LUMENS	% FIXTURE
	0 - 40	804	80
	0 - 60	941	93
	0 - 90	1009	100
	0 - 180	1009	100

6DR-TL-L20/835-DIM-UNV-LM-OF-WH Report #: 12326812.09; 06/05/18 | Total Luminaire Output: 1837 lumens; 19.1 Watts | Efficacy: 96.1 lm/W | 82.6 CRI; 3549K CCT



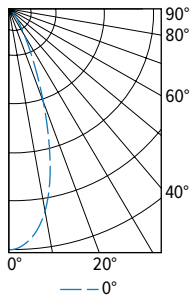
CANDLEPOWER DISTRIBUTION	VERTICAL ANGLE	HORIZONTAL ANGLE	ZONAL LUMENS
		0°	
	0	4338	
	5	4168	281
	15	2728	354
	25	847	153
	35	222	56
	45	89	31
	55	53	22
	65	32	14
	75	16	7
	85	4	1
	90	0	0

LUMEN SUMMARY	ZONE	LUMENS	% FIXTURE
	0 - 40	1667	91
	0 - 60	1785	97
	0 - 90	1837	100
	0 - 180	1837	100



6DR LED 6" Downlight – Round

6DR-TL-L20/835-DIM-UNV-RM-OF-WH Report #: 12326812.14; 06/06/18 | Total Luminaire Output: 1782 lumens; 19.1 Watts | Efficacy: 93.3 lm/W | 82.7 CRI; 3546K CCT



CANDLEPOWER DISTRIBUTION	VERTICAL ANGLE	HORIZONTAL ANGLE	ZONAL LUMENS
		0°	
	0	4313	
	5	4131	277
	15	2669	346
	25	846	155
	35	225	55
	45	76	26
	55	41	17
	65	23	10
	75	10	4
	85	3	1
	90	0	

LUMEN SUMMARY	ZONE	LUMENS	% FIXTURE
	0 - 40	1648	93
	0 - 60	1746	98
	0 - 90	1782	100
	0 - 180	1782	100

ADDITIONAL DRIVER OPTIONS

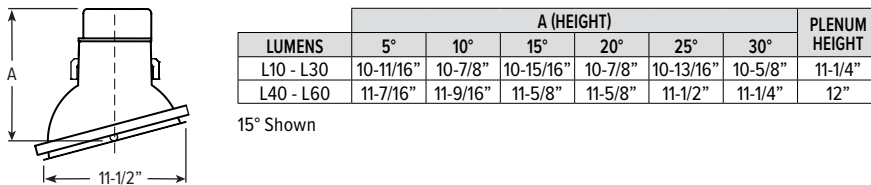
Lumen restrictions apply: L40 max for DMX driver, L40 max for Lutron drivers, L50 max for ELDO drivers. 347V may require stepdown transformer, see product builder at hew.com.

CATALOG NUMBER	DESCRIPTION
DIM	Dimming driver prewired for 0-10V low voltage applications
DIM1	1% dimming driver prewired for 0-10V low voltage applications
DMX	0.1% dimming driver for DMX controls
LTE LINE	Lutron Hi-Lume® A-Series 1% dimming driver for forward phase line voltage controls (120V only)
LDE1	Lutron EcoSystem® H-Series 1% dimming driver for EcoSystem® controls
LDE5	Lutron EcoSystem® 5-Series 5% dimming driver for EcoSystem® controls
ELDO SOLOB	EldoLED Solodrive, 0.1% dimming driver for 0-10V controls
ELDO SOLOB DALI	EldoLED Solodrive, 0.1% dimming driver for DALI controls
ELDO ECO1	EldoLED Ecodrive, 1% dimming driver for 0-10V controls
ELDO ECO1 DALI	EldoLED Ecodrive, 1% dimming driver for DALI controls

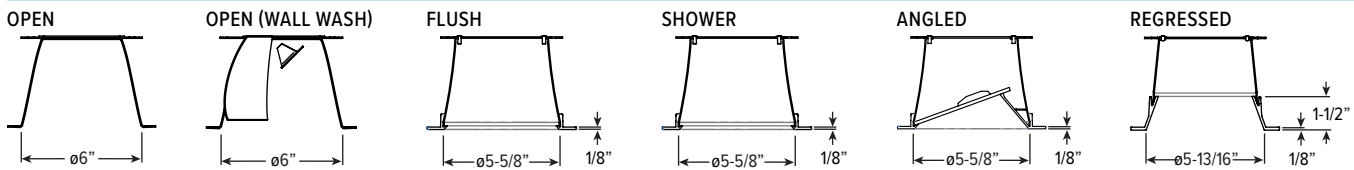
TRIMLOCK DETAILS



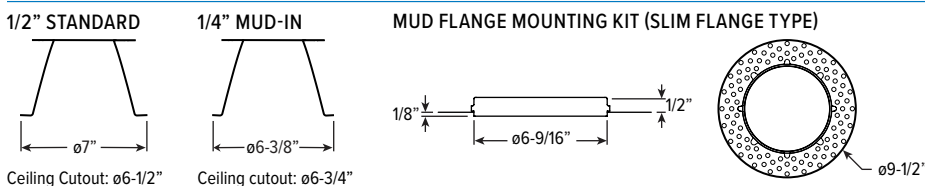
SLOPED CEILING ADAPTOR DETAILS



TRIM TYPE DETAILS

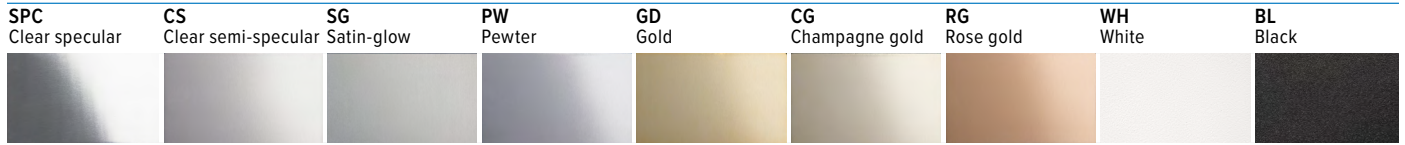


FLANGE TYPE DETAILS



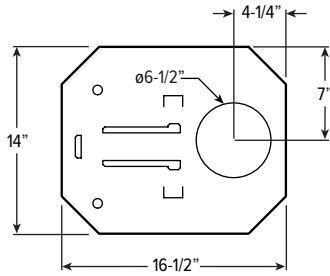
6DR LED 6" Downlight – Round

REFLECTOR FINISH DETAILS

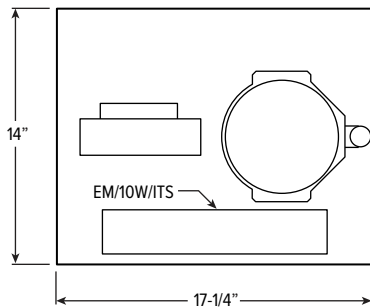


MOUNTING TYPE DETAILS

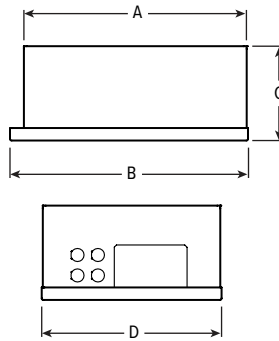
NEW CONSTRUCTION



NEW CONSTRUCTION WITH EM/10W/ITS

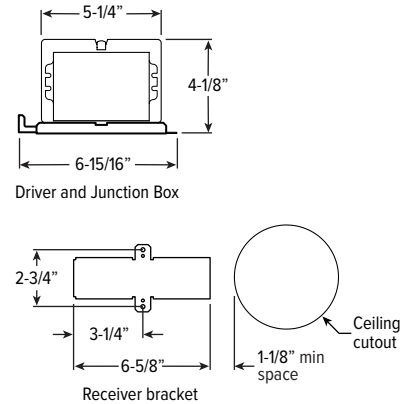


IC-RATED



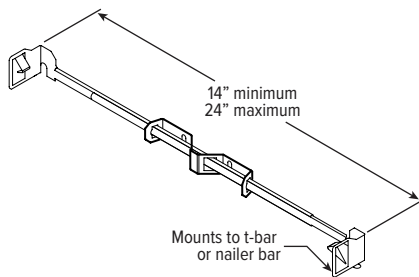
LUMENS	LENGTH			
	A	B	C	D
L10 - L20	15-3/16"	16"	6-3/8"	12-1/8"
L30	16-5/8"	17-1/2"	7-7/8"	14"

REMODEL

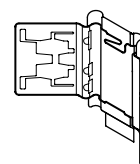


MOUNTING HARDWARE DETAILS

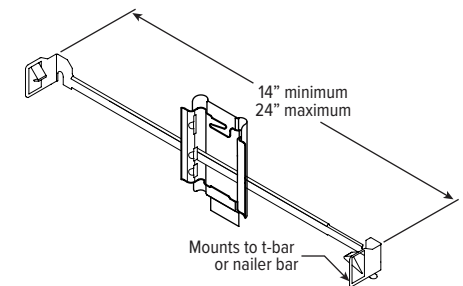
F1 2-Position fixed pan bracket, universal bar hanger included



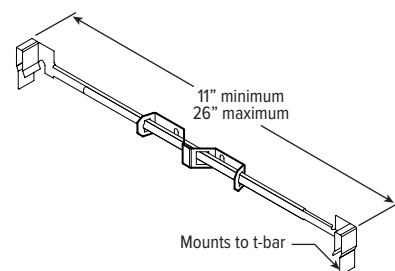
BA1 Adjustable butterfly pan bracket, bar hanger not included (N Mounting Type)



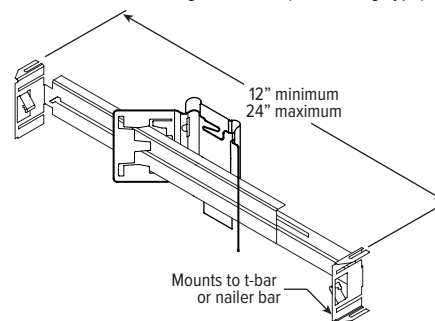
CA1 Adjustable caterpillar pan bracket, universal bar hanger included



F2 2-Position fixed pan bracket, t-bar bar hanger included



BA2 Adjustable butterfly pan bracket, heavy-duty universal bar hanger included (N Mounting Type)



CA2 Adjustable caterpillar pan bracket, t-bar hanger included

