

DIRECT/INDIRECT SHALLOW SURFACE MOUNT

DISHS

SUBMITTAL:

2x2 | 2x4

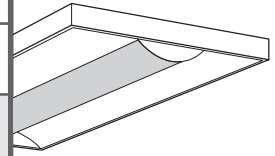
JOB:

TYPE:

VOLTAGE:

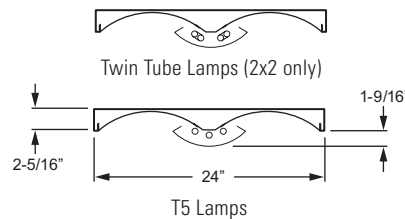
EXAMPLE → **DISHS** - **2** **4** - **2** **54T5H** - **WPR** - **OPTIONS** - **EB2** - **UNV**

SERIES NOM. W. NOM. L. TOTAL LAMPS WATTAGE/TYPE SHIELDING OPTIONS BALLAST TYPE VOLTAGE



FEATURES

- ▶ The shallow fixture depth of 2-5/16" provides an unobtrusive source of illumination in a surface mounted fixture.
- ▶ Choice of diffusers includes full round, split round, and round with a center acrylic accent.
- ▶ Gently curved diffuser extends beyond the bottom fixture plane, allowing uniform light distribution to illuminate walls and ceilings.
- ▶ Swing-down diffuser for easy access to the electrical components.
- ▶ Twin tube or T5 lamps available for a variety of applications and illumination levels.
- ▶ This fixture is proudly made in the USA.



SPECIFICATIONS

Housing – 20-gauge die-formed C.R.S.
Reflector – Precision-formed C.R.S. with highly reflective non-glare matte white polyester powder coat.
Shielding – 20-gauge precision-formed C.R.S., 50% open perforation with 92% minimum average reflective white polyester powder coat and matte white acrylic overlay.
Finish – Textured matte white polyester TGIC powder coat bonded to phosphate-free, multi-stage pretreated metal. All parts painted after fabrication to facilitate installation, increase efficiency, and inhibit corrosion.
Electrical – Electronic ballast standard, rated Class P. Default offering shown in chart below.

Lamp	Instant Start	Program Start
T5		•
40TT	•	
50TT		•
55TT		•

Mounting – Surface.
Labels – UL/CUL listed as fluorescent luminaire suitable for dry or damp locations.

ORDERING INFORMATION

SERIES

DISHS Direct/Indirect Shallow Surface Mount

NOMINAL WIDTH

2 2'

NOMINAL LENGTH

2 2'

4 4'

TOTAL LAMPS

1 T5 only

2

3 T5 only

LAMP WATTAGE/TYPE

2x2 LAMP OPTIONS

14T5S 2', 14-watt T5 (1- or 2-lamp ballast[s] only)

24T5H 2', 24-watt T5HO

40TT 2', 40-watt long twin tube

50TT 2', 50-watt long twin tube

55TT 2', 55-watt long twin tube

2x4 LAMP OPTIONS

28T5S 4', 28-watt T5 (1- or 2-lamp ballast[s] only)

54T5H 4', 54-watt T5HO

SHIELDING

WPR White perforated round
WPR/SPLIT White perforated round with split
WPR/ACRY/CTR/CLR White perforated round with center clear acrylic (consult factory for additional colors)
WPR/DUSTCOVER White perforated round with dust and debris cover

OPTIONS

For generic **EM ballast** options (must specify voltage), see Fluorescent Information section.

BALLAST TYPE

EB1 1-lamp electronic ballast
EB2 2-lamp electronic ballast
EB3 3-lamp electronic ballast
EB2/1 (1) 2-lamp and (1) 1-lamp electronic ballast

VOLTAGE

120 120V
277 277V
UNV 120-277V
347 347V

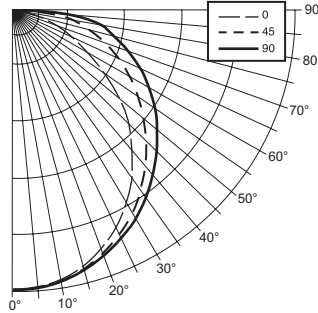
2x2 | 2x4

PHOTOMETRY INFORMATION

Catalog #: **DISHS-24-254T5H-WPR**

TEST REPORT INFORMATION

- ▶ Test Report #: 12900.0
- ▶ Date: 12/13/05
- ▶ Lamp Type: FP54T5HO/835
- ▶ Lamp Quantity: 2



CANDLEPOWER DISTRIBUTION

Vertical Angle	Horizontal Angle			Zonal Lumens
	0°	45°	90°	
0°	2243.	2243.	2243.	
5°	2230.	2240.	2233.	213.3
15°	2130.	2158.	2163.	609.7
25°	1940.	2000.	2030.	922.8
35°	1665.	1785.	1853.	1111.7
45°	1320.	1515.	1640.	1160.2
55°	918.	1235.	1398.	1074.9
65°	535.	948.	1143.	888.7
75°	240.	660.	860.	643.3
85°	48.	335.	493.	334.1
90°	0.	63.	115.	

ZONAL CAVITY COEFFICIENTS

	Ceiling			Wall			Floor		
	.80	.70	.50	.80	.70	.50	.80	.70	.50
Room Cavity Ratio	.83	.83	.83	.81	.81	.81	.77	.77	.77
0	.75	.72	.69	.73	.70	.67	.67	.65	.62
1	.68	.62	.57	.67	.61	.56	.59	.55	.51
2	.62	.55	.49	.61	.54	.48	.52	.47	.43
3	.57	.49	.42	.56	.48	.42	.46	.41	.37
4	.52	.43	.36	.51	.42	.36	.41	.35	.31
5	.48	.38	.32	.47	.38	.32	.36	.31	.27
6	.44	.34	.28	.43	.34	.28	.33	.27	.23
7	.41	.31	.25	.39	.30	.25	.29	.24	.20
8	.37	.28	.22	.36	.27	.22	.26	.21	.18
9	.35	.25	.19	.34	.25	.19	.24	.19	.16
10									

Effective Floor Cavity Reflectance = .20

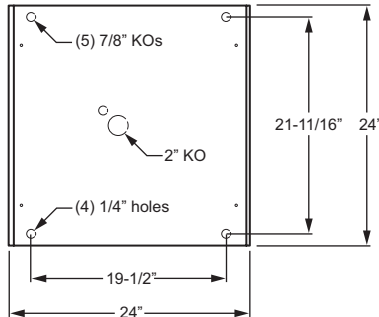
LUMEN SUMMARY

Zone	Lumens	% Lamp	% Fixture
0 - 30	1746.	17.5	25.1
0 - 40	2858.	28.6	41.0
0 - 60	5093.	50.9	73.1
0 - 90	6959.	69.6	99.9
Total Luminaire:			
0 - 180	6968.	69.7	100.0

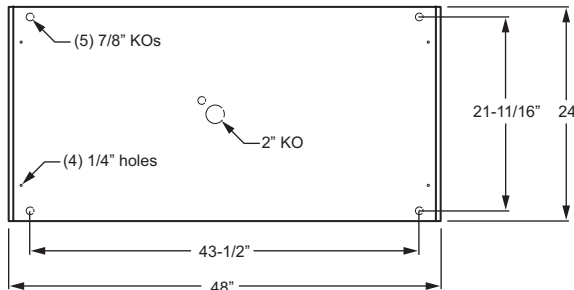
Total Luminaire Optical Efficiency: **69.7%**
 IES Spacing Criteria: End = 1.2
 Diagonal = 1.3
 Across = 1.3

FIXTURE DETAILS

2x2 BACK VIEW



2x4 BACK VIEW



SHIELDING OPTIONS

Three (3) shielding options available.

