

GP4 Shown

CATALOG #: \_\_\_\_\_

TYPE: \_\_\_\_\_

PROJECT: \_\_\_\_\_

**FEATURES**

- Scalable to meet the needs of high bay and low bay applications
- Variable uplight options
- Tailored performance with narrow, medium and wide distributions and lens options
- Maximize energy savings with efficacies as high as 140 lm/W
- Optional energy-saving occupancy sensors available, see [Technical Info](#)
- Clear and diffuse lens options
- Open construction with aluminum heat sinks to maximize air flow and cooling
- Rated up to 65°C maximum ambient operating temperature.
- Made Right Here™ in the USA

**SPECIFICATIONS**

- HOUSING – Aluminum and steel construction.
- FINISH – Nickel and textured black powder coat bonded to phosphate-free, multi-stage pretreated metal. Painted after fabrication to facilitate installation, increase efficiency, and inhibit corrosion.
- ELECTRICAL – High quality mid-power LED boards. Surge protection >6kV. L70 >54,000 hours. -35°C – 65°C ambient operating temperature, lumen restrictions apply, consult Fixture Performance Data.
- MOUNTING – Suspended. Surface mount kit available.
- LISTINGS –
  - cCSAus certified as luminaire suitable for dry or damp locations.
  - DesignLights Consortium qualified product. Not all versions of this product may be DLC qualified, see the DLC Qualified Products List at [www.designlights.org/QPL](http://www.designlights.org/QPL)
- WARRANTY – 5-year limited warranty, see [hew.com/warranty](http://hew.com/warranty).



**ORDERING EXAMPLE: GP4 - L460/850 - M - OPTIONS - DIM - UNV**

**ORDERING INFO**

SERIES	LUMENS <sup>[1]</sup>	CRI	CCT	DISTRIBUTION
GP2 2 Module	GP2	8 80	40 4000K	N Narrow
GP4 4 Module	L93 9,300lm		50 5000K	M Medium
GP6 6 Module	L150 15,000lm			W Wide
	L200 20,000lm			
	L230 23,000lm			
	<b>GP4</b>			
	L300 30,000lm			
	L350 35,000lm			
	L400 40,000lm			
	L460 46,000lm			
	<b>GP6</b>			
	L500 50,000lm			
	L550 55,000lm			
	L600 60,000lm			
	L650 65,000lm			
	L740 74,000lm			

**OPTIONS <sup>[2]</sup>**

EM/10W	10-watt emergency LED driver <sup>[5]</sup>
EM/12W	12-watt emergency LED driver <sup>[6]</sup>
EM/20W	20-watt emergency LED driver <sup>[7]</sup>
UP	Uplight reflector
UPM	Modules in upright orientation <sup>[8]</sup>
UPMA	All modules in upright orientation <sup>[9]</sup>
CL	Clear polycarbonate lens <sup>[10]</sup>
DL	Diffuse polycarbonate lens <sup>[11]</sup>
S7238/B	72" cord, 3-conductor, No. 18 AWG, black <sup>[12]</sup>
S7258/B	72" cord, 5-conductor, No. 18 AWG, black <sup>[13]</sup>
6CPI/L5-15P/TWLK	6' cord and NEMA twistlock 15 AMP plug, 120V <sup>[14]</sup>
6CPI/L7-15P/TWLK	6' cord and NEMA twistlock 15 AMP plug, 277V <sup>[15]</sup>
VBV	(2) Y-hangers
VBV-2	(2) Y-hangers and (2) 2' chains
GP2-SMK	Surface mount kit for GP2 <sup>[16]</sup>
GP4-SMK	Surface mount kit for GP4 <sup>[17]</sup>
GP6-SMK	Surface mount kit for GP6 <sup>[18]</sup>
WGC11	11-gauge wireguard, chrome powder coated <sup>[19]</sup>
GS/Y26/10	Cable suspension kit, 10' adjustable length <sup>[20]</sup>
HUB MT 3/4"	Cast iron hub and junction box for single 3/4" pendant mount <sup>[21]</sup>
HUB/HOOK MT	Cast iron hub with mounting hook <sup>[22]</sup>
HOOK/CABLE	Hook and cable mounting kit, 10'

**DRIVER <sup>[3]</sup>**

DRV	Non-dimming driver
DIM	Dimming driver

**VOLTAGE <sup>[4]</sup>**

120	120V
208	208V
240	240V
277	277V
UNV	120-277V
347	347V
480	480V

**NOTES**

- <sup>1</sup> Lumen output based on 4000 CCT. Actual lumens may vary +/-5%, see page 2 for FIXTURE PERFORMANCE DATA. Additional lumen package available, see options
- <sup>2</sup> See page 3 for OPTIONS DETAILS. See page 5 for MOUNTING ACCESSORIES. See [Technical Info](#) for occupancy sensor options.
- <sup>3</sup> See page 3 for ADDITIONAL DRIVER OPTIONS.
- <sup>4</sup> Must specify voltage (not UNV) if using cord and plug or occupancy sensor.
- <sup>5</sup> 120-277V only. End mount, increases fixture size. See page 4 for FIXTURE DETAILS.
- <sup>6</sup> For use with GP2, 120-277V only. End mount, increases fixture size; See page 4 for FIXTURE DETAILS.
- <sup>7</sup> For use with GP4 and GP6, 120-277V only. End mount, increases fixture size. See page 4 for FIXTURE DETAILS.
- <sup>8</sup> One module for GP2, two modules for GP4 and GP6; See page 4 for UPM UPLIGHT MODULE DETAILS. Ambient temperature restrictions apply. See page 2 for FIXTURE PERFORMANCE DATA.
- <sup>9</sup> Wide distribution only; Ambient temperature restrictions apply. See page 2 for FIXTURE PERFORMANCE DATA.
- <sup>10</sup> Wide distribution only.
- <sup>11</sup> Wide distribution only
- <sup>12</sup> DRV only
- <sup>13</sup> DIM only
- <sup>14</sup> DRV only
- <sup>15</sup> DRV only
- <sup>16</sup> Not available with UPM or UPMA
- <sup>17</sup> Not available with UPM or UPMA
- <sup>18</sup> Not available with UPM or UPMA
- <sup>19</sup> Recommended with optional DL lens to eliminate striations.
- <sup>20</sup> 1 pair
- <sup>21</sup> Shipped not attached
- <sup>22</sup> Shipped not attached



**FIXTURE PERFORMANCE DATA**

	LED PACKAGE	DELIVERED LUMENS	WATTAGE	EFFICACY (lm/W)	MAXIMUM TEMPERATURE (°C)					
					STANDARD		SURFACE MOUNT KIT		UPLIGHT MODULE <sup>1</sup>	
					NO LENS	WITH LENS	NO LENS	WITH LENS	NO LENS	WITH LENS
GP2	L93	9281	66	140	65	55	61	51	45	40
	L150	14770	107	138	60	55	56	51	45	40
	L200	19818	157	126	60	50	56	46	45	35
	L230	23310	187	125	55	40	51	36	40	30
GP4	L300	29015	236	123	60	55	56	51	45	40
	L350	34147	278	123	60	55	56	51	45	40
	L400	38934	317	123	60	50	56	46	45	35
	L460	45793	375	122	55	40	51	36	40	30
GP6	L500	52871	402	131	60	55	56	51	45	40
	L550	57596	438	132	60	55	56	51	45	35
	L600	63000	479	131	60	50	56	46	40	30
	L650	68200	520	131	55	40	51	36	40	30
	L740	74099	566	131	55	40	51	36	40	30

- Photometrics tested in accordance with IESNA LM-79. Results shown are based on 25°C ambient temperature.
  - Wattage shown is average for 120V through 277V input.
  - Results based on relative CCT output. Performance is the same for 4000 and 5000 CCT.
  - Use multiplier tables to calculate additional options.
- <sup>1</sup> Minimum of 48" from mounting surface required for upright modules.

**MULTIPLIER TABLES**

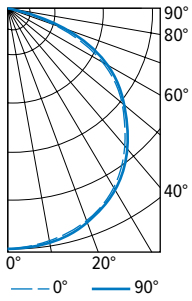
DISTRIBUTION	
N	0.94
M	0.95
W	1.00

LENS	
CL	0.94
DL	0.76

AMBIENT TEMPERATURE	
AMBIENT TEMP (°C)	FLUX
25	1.00
40	0.95
50	0.91
55	0.90
60	0.89
65	0.87

**PHOTOMETRY**

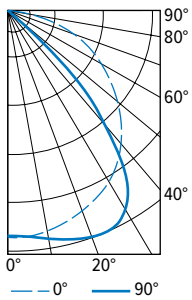
**GP2-L230/850-W-DIM-UNV** Report #: 19477; 09/06/16 | Total Luminaire Output: 23310 lumens; 187 Watts | Efficacy: 124.7 lm/W | 82.2 CRI; 5089K CCT



VERTICAL ANGLE	HORIZONTAL ANGLE			ZONAL LUMENS
	0°	45°	90°	
0	8090	8090	8090	
5	8116	8074	8037	770
15	7882	7870	7827	2226
25	7358	7397	7396	3417
35	6599	6674	6744	4193
45	5581	5654	5686	4382
55	4333	4419	4469	3961
65	2884	3003	2554	2853
75	1342	1148	982	1294
85	186	189	180	215
90	0	0	0	

LUMEN SUMMARY	ZONE	LUMENS	% FIXTURE
	0 - 30	6413	28
0 - 40	10606	46	
0 - 60	18949	81	
0 - 90	23310	100	
0 - 180	23310	100	

**GP4-L460/850-M-DIM-UNV** Report #: 19518; 09/23/16 | Total Luminaire Output: 43369 lumens; 376 Watts | Efficacy: 115.6 lm/W | 82.0 CRI; 5038K CCT

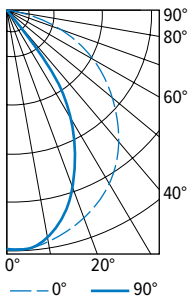


VERTICAL ANGLE	HORIZONTAL ANGLE			ZONAL LUMENS
	0°	45°	90°	
0	18379	18379	18379	
5	18368	18443	18497	1760
15	17875	18750	19293	5294
25	16843	18801	19596	8569
35	15263	17918	16637	10609
45	13001	13632	7091	9098
55	10269	4199	591	4973
65	7110	461	53	2401
75	3524	39	16	576
85	530	9	5	90
90	0	0	0	

LUMEN SUMMARY	ZONE	LUMENS	% FIXTURE
	0 - 30	15623	36
0 - 40	26231	61	
0 - 60	40302	93	
0 - 90	43369	100	
0 - 180	43369	100	



GP4-L460/850-N-DIM-UNV Report #: 19519.1; 10/11/16 | Total Luminaire Output: 43160 lumens; 376 Watts | Efficacy: 114.8 lm/W | 82.2 CRI; 5072K CCT



VERTICAL ANGLE	HORIZONTAL ANGLE			ZONAL LUMENS
	0°	45°	90°	
0	28659	28659	28659	
5	28349	28790	28313	2729
15	27478	27156	25820	7651
25	25439	22362	18867	10321
35	22505	15313	10638	10231
45	18605	7883	95	6421
55	13942	143	0	3607
65	8957	0	0	1614
75	3983	0	0	536
85	358	0	0	49
90	0	0	0	

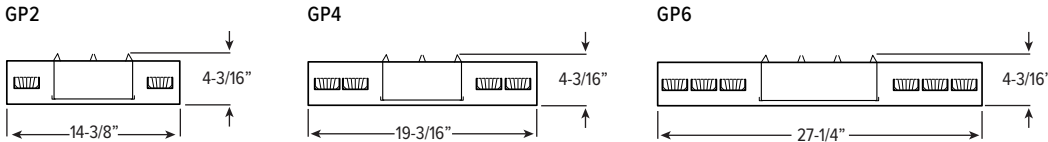
LUMEN SUMMARY	ZONE	LUMENS	% FIXTURE
	0 - 30	20701	48
	0 - 40	30932	72
	0 - 60	40961	95
	0 - 90	43160	100
	0 - 180	43160	100

**ADDITIONAL DRIVER OPTIONS**

Note: Lumen restrictions apply, consult product builder at [hew.com/product-builder](http://hew.com/product-builder).

CATALOG NUMBER	DESCRIPTION
DRV	Driver prewired for non-dimming applications
DIM	Dimming driver prewired for 0-10V low voltage applications
DIM1	1% dimming driver prewired for 0-10V low voltage applications
DIM LINE	Line voltage dimming driver (Must specify 120V or 277V only)
SD40	40% step-dimming driver
SD50	50% step-dimming driver
DALI	DALI dimming driver
LTE LINE	Lutron Hi-lume 1% 2-wire dimming driver forward phase line voltage controls (120V only)
LDE1	Lutron Hi-lume 1% EcoSystem dimming LED driver
LDE5	Lutron 5-Series 5% EcoSystem dimming LED driver
ELDO SOLOB	EldoLED Solodrive, 0.1% dimming driver for 0-10V controls
ELDO SOLOB DALI	EldoLED Solodrive, 0.1% dimming driver for DALI controls
ELDO ECO1	EldoLED Ecodrive, 1% dimming driver for 0-10V controls
ELDO ECO1 DALI	EldoLED Ecodrive, 1% dimming driver for DALI controls

**CROSS SECTIONS**



**OPTIONS DETAILS**

**CLEAR LENS**



**DIFFUSE LENS**



**UPLIGHT REFLECTOR**



**UPLIGHT % OF TOTAL FLUX**

	GP2	GP4	GP6
<b>UPLIGHT REFLECTOR</b>			
N	8.4	4.2	2.6
M	8.2	4.1	2.5
W	8.6	4.3	2.7
CL	10.0	5.0	3.1
DL	16.0	8.0	4.9
<b>UPLIGHT MODULES</b>			
UPM	50.0	50.0	33.3
UPMA	100.0	100.0	100.0

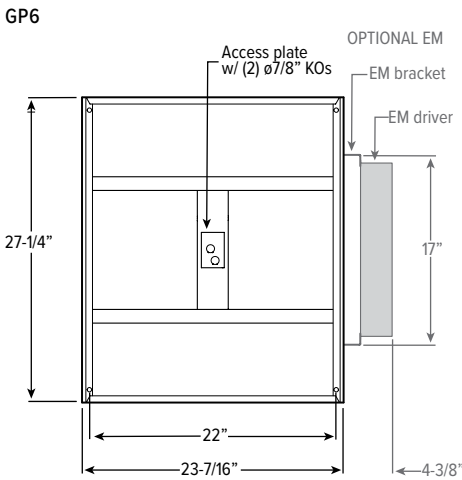
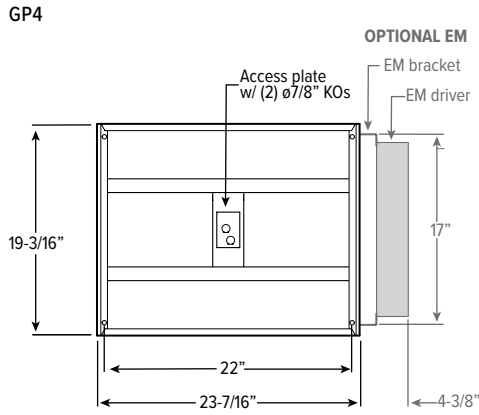
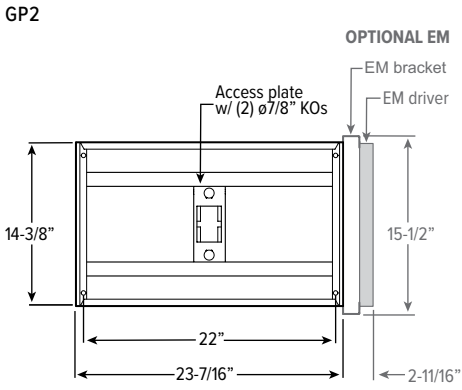
**WIREGUARD**



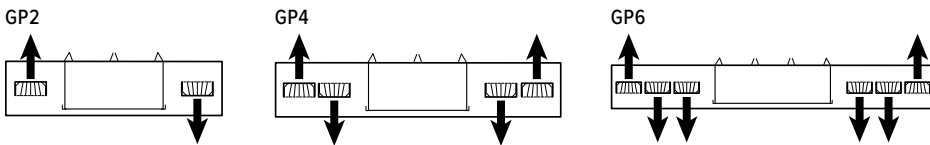
**OCCUPANCY SENSOR**



**FIXTURE DETAILS**

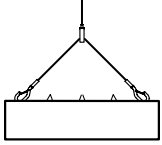


**UPM UPLIGHT MODULE DETAILS**

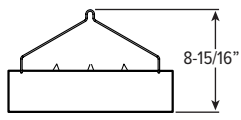


**MOUNTING ACCESSORIES**

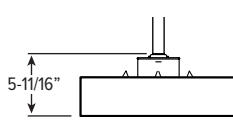
GS/Y26/10



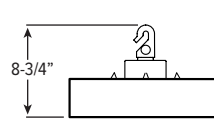
VBY OR VBY-2



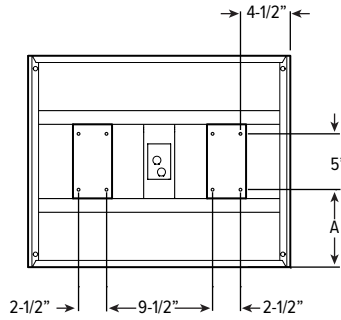
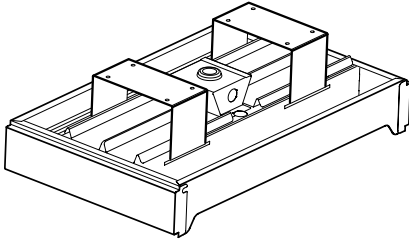
HUB MT 3/4"



HUB/HOOK MT



**SURFACE MOUNT KIT (SHIPS SEPARATELY)**



Cross Section



Backview Dimension A

GP2	GP4	GP6
4-11/16"	7"	11-1/8"

