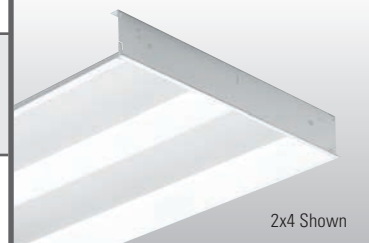


HIGH EFFICIENCY TROFFER

HET

1x4 | 2x2 | 2x4 T5



CATALOG #:

PROJECT:

TYPE:

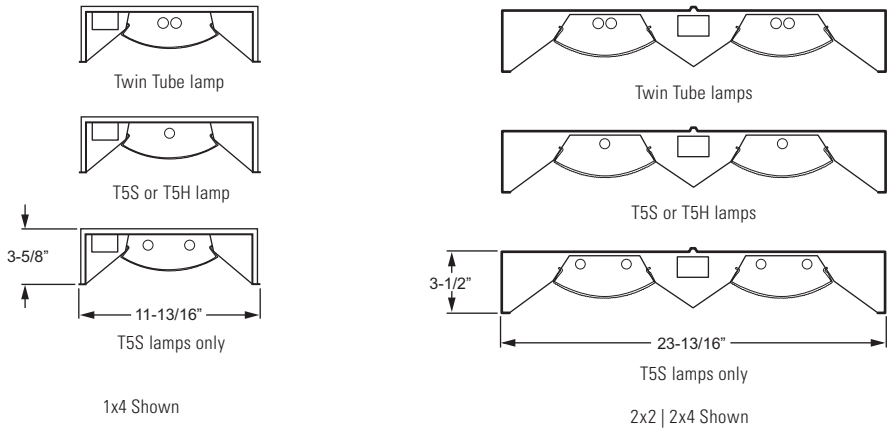
NOTES:

EXAMPLE

HET G - S 2 4 - 2 28T5S - A - OPTIONS - EB2 - UNV

SERIES CEILING TYPE FIX. STYLE NOM. W. NOM. L. TOTAL LAMPS WATTAGE/TYPE SHIELDING OPTIONS BALLAST TYPE VOLTAGE

CROSS SECTION



FEATURES

- ▶ Attractive and efficient architectural troffer delivers comfortable, uniform illumination.
- ▶ Frosted acrylic diffusers combined with highly reflective matte white paint provide high optical efficiencies and visual comfort.
- ▶ One-piece diffusers eliminate the need for separate overlays.
- ▶ Shallow fixture depth allows for use in limited plenum applications.
- ▶ Companion HET/HES products available.
- ▶ Tool-less access to electrical from room side of fixture.
- ▶ Integral T-bar clips quickly secure fixture to structure.
- ▶ This fixture is proudly made in the USA.

ORDERING INFORMATION

SERIES
HET High Efficiency Troffer

CEILING TYPE
G NEMA Type "G"
 For flange installations use the Drywall Kit (DFK), ordered separately, see [Technical Info](#).

FIXTURE STYLE
S Static, no air capability

NOMINAL WIDTH

1	1'
2	2'

NOMINAL LENGTH

2	2' (2' width only)
4	4'

TOTAL LAMPS

1 or 2	(1x4)
2 or 4	(2x2 and 2x4; 4-lamp available with T5S only)

LAMP WATTAGE/TYPE

2' LAMP OPTIONS:

- 14T5S** 2', 14-watt T5
- 24T5H** 2', 24-watt T5HO (2-lamp cross-section only)
- 40TT** 2', 40-watt long twin tube (2-lamp cross-section only)

4' LAMP OPTIONS:

- 28T5S** 4', 28-watt T5
- 54T5H** 4', 54-watt T5HO (2-lamp cross-section only)

SHIELDING
A Acrylic lens

OPTIONS
 See Technical Info for [generic EM ballast options](#) (must specify voltage).

- EQCLIPS** Earthquake clips (4 per fixture)
- CP** Chicago Plenum (CCEA)

BALLAST TYPE
 See Technical Info for complete [ballast offering](#).

- EB1** 1-lamp electronic ballast
- EB2** 2-lamp electronic ballast
- EBSD(95)1** 1-lamp electronic ballast, step-dimming, .95 ballast factor (T5S only)
- EBSD(115)1** 1-lamp electronic ballast, step-dimming, 1.15 ballast factor (T5S only)
- EBSD(95)2** 2-lamp electronic ballast, step-dimming, .95 ballast factor (T5S only)
- EBSD(115)2** 2-lamp electronic ballast, step-dimming, 1.15 ballast factor (T5S only)
- EB2/2** (2) 2-lamp electronic ballasts (T5S only)
- EBSD(95)2/2** (2) 2-lamp electronic ballasts, step-dimming, .95 ballast factor, (T5S only)
- EBSD(115)2/2** (2) 2-lamp electronic ballasts, step-dimming, 1.15 ballast factor (T5S only)

VOLTAGE

120	120V
277	277V
UNV	120-277V
347	347V

T5

PHOTOMETRY – 2x4

Catalog #: HETG-S24-228T5S-A

SPECIFICATIONS

Housing – 22-gauge die-formed C.R.S.
Shielding – Ribbed acrylic diffuser.
Finish – Highly reflective non-glare matte white polyester powder coat bonded to phosphate-free, multi-stage pretreated metal. All parts painted after fabrication to facilitate installation, increase efficiency, and inhibit corrosion.

Electrical – Electronic ballast standard, rated Class P.

Lamp	Instant Start	Program Start
T5		•
40TT	•	

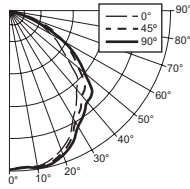
Mounting – NEMA Type “G” standard. For flange installations use the Drywall Kit (DFK), ordered separately, see [Technical Info](#).

Labels –

- UL/CUL listed as recessed fluorescent luminaire suitable for dry or damp locations.
- City of Chicago Environmental Air approved when specified with CP option.

TEST REPORT INFORMATION

- Test Report #: 13351.0
- Date: 12/12/06
- Lamp Type: FP28T5/835
- Lamp Quantity: 2



ZONAL CAVITY COEFFICIENTS

	Ceiling			Wall			Floor			
	.80	.70	.50	.70	.50	.30	.50	.30	.10	
Room Cavity Ratio	0	1.06	1.06	1.06	1.04	1.04	1.04	.99	.99	.99
1	.99	.95	.92	.96	.93	.90	.89	.87	.84	
2	.91	.84	.79	.89	.83	.78	.80	.76	.72	
3	.84	.75	.69	.82	.74	.68	.71	.66	.62	
4	.77	.67	.60	.75	.66	.59	.64	.58	.53	
5	.70	.60	.52	.69	.59	.52	.57	.51	.46	
6	.65	.53	.46	.63	.53	.45	.51	.45	.40	
7	.60	.48	.41	.58	.47	.40	.46	.40	.35	
8	.55	.43	.36	.54	.42	.35	.41	.35	.30	
9	.50	.39	.31	.49	.38	.31	.37	.31	.26	
10	.47	.35	.28	.46	.35	.28	.34	.27	.23	

Effective Floor Cavity Reflectance = .20

CANDLEPOWER DISTRIBUTION

Vertical Angle	Horizontal Angle			Zonal Lumens
	0°	45°	90°	
0	1958.	1958.	1958.	
5	1933.	1934.	1935.	184.6
15	1925.	1940.	1957.	549.9
25	1728.	1769.	1812.	818.7
35	1431.	1510.	1583.	947.2
45	1177.	1317.	1439.	1016.1
55	778.	951.	1030.	833.2
65	471.	607.	534.	546.8
75	222.	239.	172.	236.7
85	47.	31.	27.	38.5
90	0.	0.	0.	

LUMEN SUMMARY

Zone	Lumens	% Lamp	% Fixture
0 - 30	1553.	26.8	30.0
0 - 40	2500.	43.1	48.3
0 - 60	4350.	75.0	84.1
0 - 90	5172.	89.2	100.0
Total Luminaire:			
0 - 180	5172.	89.2	100.0

Total Luminaire Optical Efficiency: 89.2%
 Spacing Criteria: Across: 1.4
 Diagonal: 1.4
 End: 1.2

ZONAL CAVITY COEFFICIENTS – 2x2

	Ceiling			Wall			Floor		
	.80	.70	.50	.70	.50	.30	.50	.30	.10
Room Cavity Ratio	0	1.03	1.03	1.01	1.01	1.01	.96	.96	.96
1	.96	.92	.89	.94	.90	.88	.87	.84	.82
2	.88	.82	.77	.86	.81	.76	.78	.74	.70
3	.81	.73	.67	.79	.72	.66	.69	.64	.60
4	.75	.65	.58	.73	.64	.58	.62	.56	.52
5	.68	.58	.50	.67	.57	.50	.55	.49	.44
6	.63	.52	.44	.61	.51	.44	.49	.43	.39
7	.58	.47	.39	.56	.46	.39	.45	.38	.34
8	.53	.42	.34	.52	.41	.34	.40	.34	.29
9	.49	.37	.30	.48	.37	.30	.36	.30	.25
10	.45	.34	.27	.44	.33	.27	.33	.26	.22

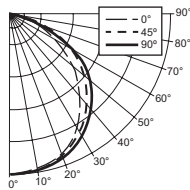
Effective Floor Cavity Reflectance = .20

PHOTOMETRY – 2x2

Catalog #: HETG-S22-224T5H-A

TEST REPORT INFORMATION

- Test Report #: 13152.0
- Date: 06/26/06
- Lamp Type: FP28T5/835
- Lamp Quantity: 2



CANDLEPOWER DISTRIBUTION

Vertical Angle	Horizontal Angle			Zonal Lumens
	0°	45°	90°	
0	1238.	1238.	1238.	
5	1240.	1228.	1236.	117.7
15	1189.	1190.	1203.	338.2
25	1091.	1115.	1139.	515.7
35	931.	990.	1028.	619.2
45	728.	817.	886.	629.8
55	498.	627.	698.	550.9
65	297.	411.	365.	364.0
75	130.	154.	112.	147.6
85	16.	11.	6.	12.5
90	0.	0.	0.	

LUMEN SUMMARY

Zone	Lumens	% Lamp	% Fixture
0 - 30	972.	25.6	29.5
0 - 40	1591.	41.9	48.3
0 - 60	2772.	72.9	84.1
0 - 90	3296.	86.7	100.0
Total Luminaire:			
0 - 180	3296.	86.7	100.0

Total Luminaire Optical Efficiency: 86.7%
 Spacing Criteria: Across: 1.1
 Diagonal: 1.2
 End: 1.2

ZONAL CAVITY COEFFICIENTS – 1x4

	Ceiling			Wall			Floor		
	.80	.70	.50	.70	.50	.30	.50	.30	.10
Room Cavity Ratio	0	1.02	1.02	1.0	1.0	1.0	.95	.95	.95
1	.95	.91	.88	.93	.89	.87	.86	.83	.81
2	.87	.81	.76	.85	.80	.75	.77	.73	.69
3	.81	.73	.66	.79	.71	.65	.69	.64	.60
4	.74	.65	.58	.72	.64	.57	.62	.56	.52
5	.68	.57	.50	.66	.57	.50	.55	.49	.44
6	.62	.52	.44	.61	.51	.44	.49	.43	.39
7	.57	.46	.39	.56	.46	.39	.44	.38	.34
8	.53	.42	.34	.52	.41	.34	.40	.34	.29
9	.49	.37	.30	.47	.37	.30	.36	.30	.25
10	.45	.34	.27	.44	.33	.27	.32	.26	.22

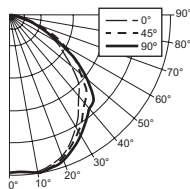
Effective Floor Cavity Reflectance = .20

PHOTOMETRY – 1x4

Catalog #: HETG-S14-154T5H-A

TEST REPORT INFORMATION

- Test Report #: 13150.0
- Date: 06/22/06
- Lamp Type: FP54T5HO/835
- Lamp Quantity: 1



CANDLEPOWER DISTRIBUTION

Vertical Angle	Horizontal Angle			Zonal Lumens
	0°	45°	90°	
0	1606.	1606.	1606.	
5	1601.	1601.	1601.	152.8
15	1583.	1596.	1608.	452.2
25	1438.	1472.	1507.	681.3
35	1211.	1279.	1341.	802.1
45	987.	1102.	1200.	849.5
55	668.	805.	831.	695.9
65	405.	489.	398.	440.1
75	189.	182.	126.	183.4
85	40.	20.	16.	27.3
90	0.	0.	0.	

LUMEN SUMMARY

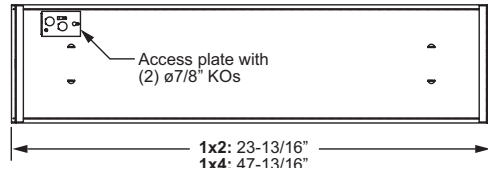
Zone	Lumens	% Lamp	% Fixture
0 - 30	1286.	25.7	30.0
0 - 40	2088.	41.8	48.7
0 - 60	3634.	72.7	84.8
0 - 90	4285.	85.7	100.0
Total Luminaire:			
0 - 180	4285.	85.7	100.0

Total Luminaire Optical Efficiency: 85.7%
 Spacing Criteria: Across: 1.3
 Diagonal: 1.3
 End: 1.2

FIXTURE DETAIL

BACK VIEW

1x4



2x2 | 2x4

