

CATALOG #: _____

Type: _____

PROJECT: _____

FEATURES

- Extruded or spun pole shaft with cast aluminum structural base provides durability and resists corrosion
- Choice of straight or tapered 16-flat fluted aluminum round shafts
- Designed to accommodate up to two fixtures on a pole top assembly with a maximum 36" O.C. fixture span
- 8' to 14' height options
- An assortment of finishes are available to complement the architectural elements of any outdoor space
- Access door provides easy on-site maintenance

SPECIFICATIONS

- SHAFT** – 16-Flat fluted round pattern surface pole spun or extruded from 6000 series aluminum alloy.
- POLE TOP** – Plate and tenon provided for top mount luminaire.
- ACCESS DOOR** – Located on structural base. Grounding provision provided.
- FINISH** – Polyester powder coat bonded to pretreated metal, meets AAMA 2604 specifications for outdoor durability.
- ANCHOR BOLTS** – Conform to ASTM F1554 Grade 55, galvanized a minimum of 12" on the threaded end.
- MOUNTING** – Structural base cast from 356 aluminum alloy. The pole is inserted and welded into the structural base casting. The completed assembly is heat-treated to a T6 temper. A mounting template is provided with each pole and anchor bolt order.

ORDERING EXAMPLE: HSCF - A - 080 - 40 - 40 - 125 - S - TM238 - DBR - AB - OPTIONS

ORDERING INFO

SERIES	MATERIAL	HEIGHT	TOP DIAMETER	SHAFT BASE DIAMETER ^[1]	WALL THICKNESS
HSCF	A Aluminum	080 8'-0"	Specify according to chart. See page 3 for LOAD AND DIMENSIONAL DATA.		
		100 10'-0"	40 4" Straight fluted	40 4" ^[3]	125 0.125"
		120 12'-0"	50 5" Straight fluted	50 5"	
		140 14'-0"	TF Tapered fluted ^[2]		

SHAPE OF SHAFT ^[4]	FIXTURE MOUNTING ^[5]	FINISH ^[6]	ANCHOR BOLTS
T Tapered round	POLE TOP MOUNT	BLK Black ^[8]	AB Anchor bolts ^[12]
S Straight round	TM238 2-3/8" x 4" Round tenon	DBR Medium bronze	LAB Less anchor bolts
	TM278 2-7/8" x 4" Round tenon	DBZ Dark bronze	PAB Pre-shipped Anchor Bolts ^[13]
	TM3 3" x 4" Round tenon	GRAY Standard gray	
	TC___ Custom Round Tenon ^[7]	GRN Green ^[9]	
		SLV Satin aluminum ^[10]	
		WHT White ^[11]	
		RAL#___ Specify custom color	

OPTIONS

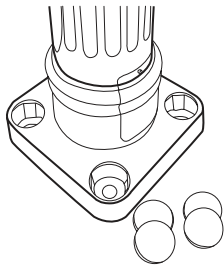
FS Festoon box only ^[14]

NOTES

- Top diameter of the decorative base casting.
- Top diameter varies.
- Straight round shaft only.
- See page 2 for FIXTURE DETAILS.
- Designed for pole top tenon mount. Plate and tenon provided. See page 2 for FIXTURE DETAILS.
- See page 3 for FINISH OPTIONS.
- Must specify tenon diameter and height, consult factory.
- RAL #9004.
- RAL #6005.
- RAL #9006.
- RAL #9003.
- Four L-bolts provided with two hex nuts and two flat washers each, shipped with pole.
- Four L-bolts provided with two hex nuts and two flat washers each.
- Casting only. Outlet, cover and hardware by others.

FIXTURE DETAILS

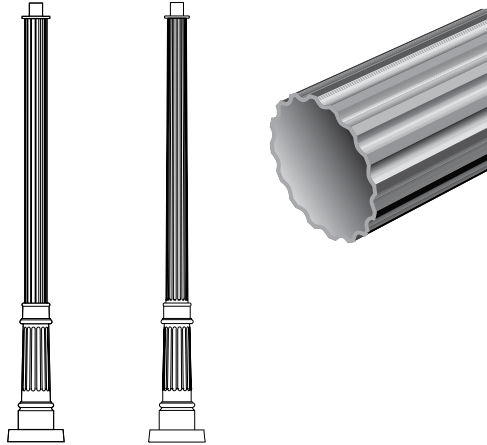
BASE



Special covers conceal the anchor bolts

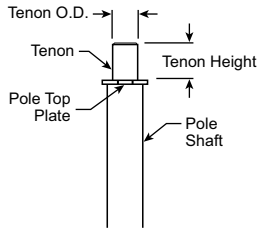
SHAPE OF SHAFT

Straight Round Tapered Round 16-Flat Fluted Round



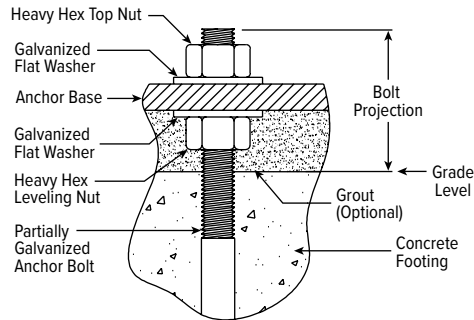
MOUNTING DETAILS

POLE TOP MOUNT TYPICAL TENON

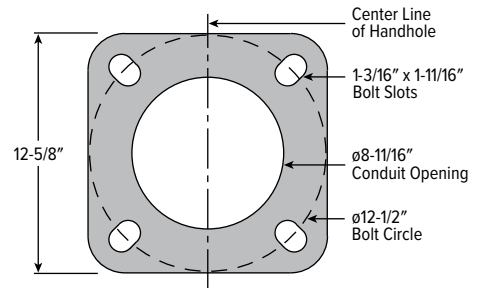


ANCHORAGE DATA

BOLT PROJECTION



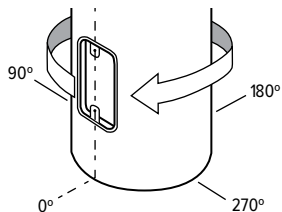
ANCHOR BASE



ANCHOR BOLTS			ANCHOR BASE			
BOLT SIZE	PROJECTION	±	BOLT CIRCLE		SQ.	THK.
			DIA.	±		
3/4" x 17" x 3"	3-1/2"	1/4"	12-1/2"	1/2"	12-5/8"	5/8"

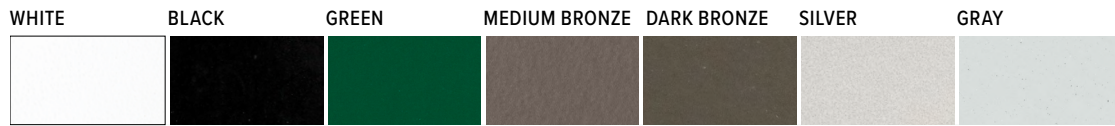
OPTION DETAILS

ALUMINUM FESTOON BOX



NOTE: The festoon box is located above the access door at 0°.

FINISH OPTIONS



For custom color, please specify RAL code or a manufacturer code with description. All custom colors other than RAL require two sample swatches, minimum 1" square.

LOAD AND DIMENSIONAL DATA

STRAIGHT FLUTED ROUND

POLE HT. (FT)	CATALOG NUMBER	SHAFT				80 MPH ^{1,2}		90 MPH ^{1,2}		100 MPH ^{1,2}	
		TOP O.D. (IN)	BASE O.D. (IN)	WALL THK. (IN)	STRUC. WT ³ (LBS)	MAX LUMINAIRE EPA (SQ FT)	MAX LUMINAIRE WEIGHT (LBS)	MAX LUMINAIRE EPA (SQ FT)	MAX LUMINAIRE WEIGHT (LBS)	MAX LUMINAIRE EPA (SQ FT)	MAX LUMINAIRE WEIGHT (LBS)
8	HSCF-A-080-40-40-125-S	4	4	0.125	51	12.3	300	9.6	300	7.6	300
10	HSCF-A-100-40-40-125-S	4	4	0.125	55	9.2	300	7.0	300	5.4	300
12	HSCF-A-120-40-40-125-S	4	4	0.125	59	6.8	300	5.0	300	3.7	300
	HSCF-A-120-50-50-125-S	5	5	0.125	61	12.0	300	9.0	300	6.9	300
14	HSCF-A-140-50-50-125-S	5	5	0.125	66	9.0	300	6.5	300	4.8	300

TAPERED FLUTED ROUND

POLE HT. (FT)	CATALOG NUMBER	SHAFT				80 MPH ^{1,2}		90 MPH ^{1,2}		100 MPH ^{1,2}	
		TOP O.D. (IN)	BASE O.D. (IN)	WALL THK. (IN)	STRUC. WT ³ (LBS)	MAX LUMINAIRE EPA (SQ FT)	MAX LUMINAIRE WEIGHT (LBS)	MAX LUMINAIRE EPA (SQ FT)	MAX LUMINAIRE WEIGHT (LBS)	MAX LUMINAIRE EPA (SQ FT)	MAX LUMINAIRE WEIGHT (LBS)
8	HSCF-A-080-TF-50-125-T	4.21	5	0.125	51	20.0	300	15.8	300	12.6	300
10	HSCF-A-100-TF-50-125-T	3.93	5	0.125	55	15.7	300	12.1	300	9.5	300
12	HSCF-A-120-TF-50-125-T	3.65	5	0.125	58	12.3	300	9.3	300	7.2	300
14	HSCF-A-140-TF-50-125-T	3.40	5	0.125	62	9.4	300	6.9	300	5.2	300

¹ Effective Projected Area (EPA) calculations allow for 1.3 Wind Gust Factor. Maximum EPA and weight values are based on top mounted luminaires or arm assembly having a centroid 2'-6" above and 1'-6" eccentric to the pole top at Nominal Mounting Height. Variations from sizes above are available upon inquiry. Satisfactory performance of poles is dependent upon the pole being properly attached to a supporting foundation of adequate design.

² See page 4 for WIND MAP.

³ Structure Weight is a nominal value which includes the pole shaft and structural base.

- Pole installations in various parts of the country perform satisfactorily; however, in select locations destructive vibration can occur. H.E. Williams, Inc. is not responsible for vibration induced fatigue damage.

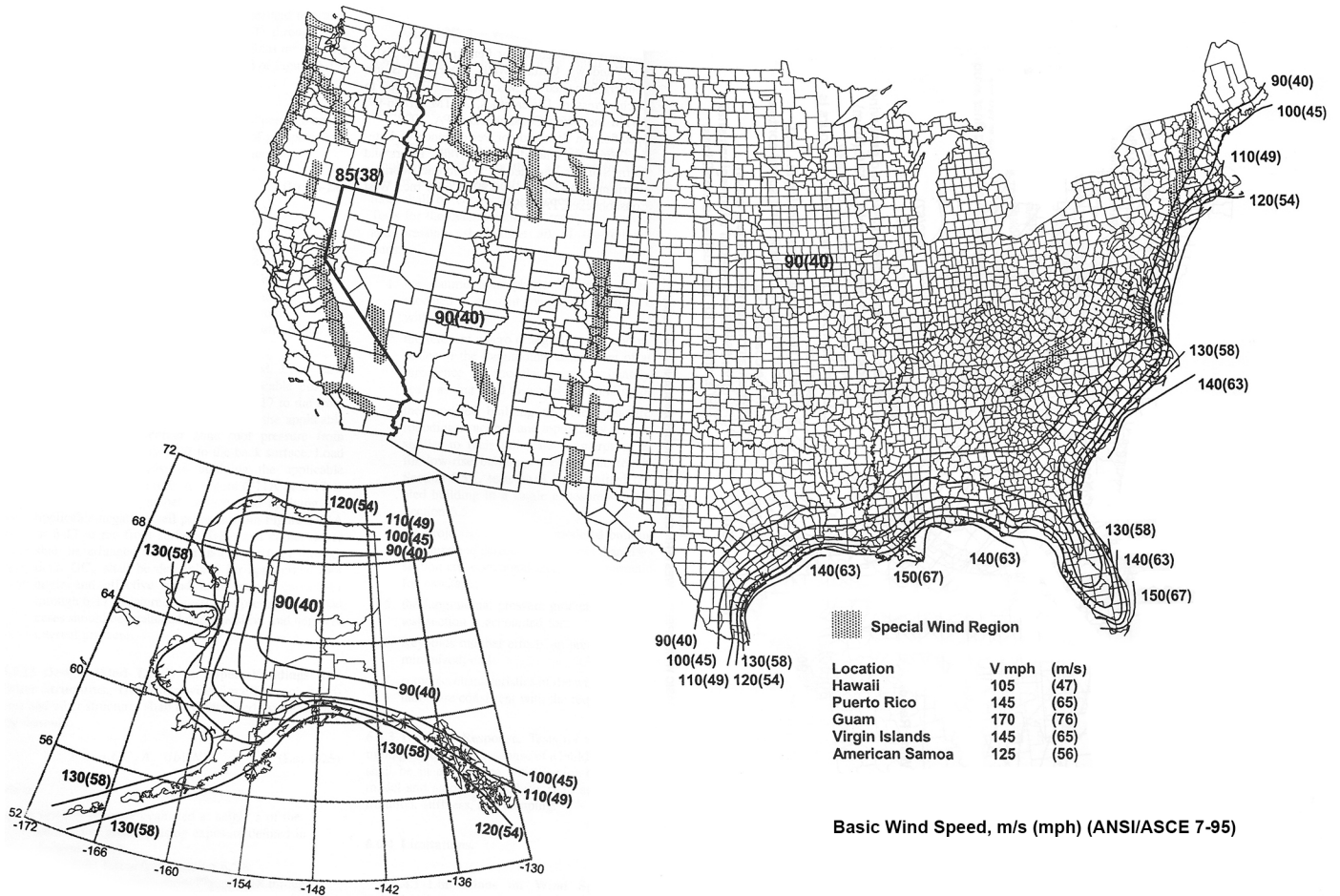
- H.E. Williams, Inc. warrants this product to be free from defects in materials and workmanship. Any defective part returned within one year from the date of delivery of the goods will be repaired or replaced without charge, F.O.B. factory.

- This warranty specifically excludes fatigue or similar phenomena resulting from induced vibration, harmonic oscillation or resonance associated with movement of air currents around the product.

- The above warranties are given in lieu of all other warranties express or implied, including without limitation, the warranty of merchantability and the warranty of suitability for a particular purpose. It is expressly stated that H.E. Williams, Inc. assumes no liability for consequential or liquidated damages arising out of a breach of the sale, including any warranties arising therefrom, and buyer's remedy shall be limited to repair or replacement of defective parts as described above.

- Any action for the breach under a sale including any warranties arising therefrom must be commenced within one year after the cause of action accrues.

WIND MAP



Basic Wind Speed, m/s (mph) (ANSI/ASCE 7-95)

The Effective Projected Area (EPA) standards shown in the Load and Dimensional Data Tables on the specification sheets are designed to withstand dead loads and theoretical dynamic loads developed by variable wind speeds, as charted, with an appropriate wind gust factor under the following conditions:

- Values are nominal design 3-second gust wind speeds in miles per hour (m/s) at 33 ft (10 m) above ground for Exposure C category.

- Linear Interpolation between wind contours is permitted.
- Islands and coastal areas outside the last contour shall use the last wind speed contour of the coastal area.
- Mountainous terrain, gorges, ocean promontories, and special wind regions shall be examined for unusual wind conditions.
- This map is intended as a general guide. Check you local area for unique wind conditions.

From Standard Specifications for Structural Support for Highway Signs, Luminaires, and Traffic Signals, Copyright 2009, by the American Association of State Highway and Transportation Officials, Washington D.C. Used by permission. Documents may be purchased from the AASHTO bookstore at 1-800-231-3475 or online at bookstore.transportation.org