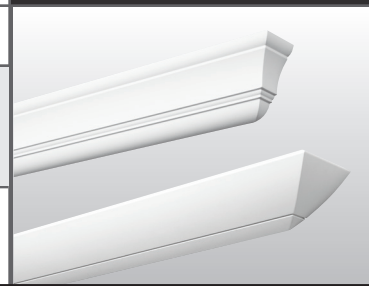


DESIGNERLINE LOW-PROFILE WALL MOUNT COVE

LPC

tunable **WHITE**

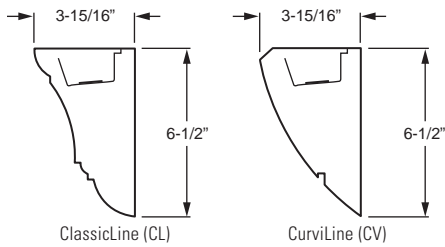
CATALOG #:	TYPE:
PROJECT:	NOTES:



EXAMPLE **LPC** **CL** - **4** - **L41/8TW** - **F/F** - **OPTIONS** - **DALI** - **UNV**

SERIES STYLE NOMINAL LENGTH LUMEN PACKAGE CRI & CCT FIXT. TYPE END CAP OPTIONS/ACCESSORIES CONTROL VOLTAGE

CROSS SECTIONS



FEATURES

- ▶ Tunable white from 3000K to 5000K CCT, minimum 80 CRI.
- ▶ Combines the look of continuous crown molding with big fixture performance in a compact, ADA compliant, architecturally styled package
- ▶ Efficacies up to 108 lm/W.
- ▶ Common applications include smaller offices, corridors, healthcare facilities, and spaces with low to moderate ceiling heights
- ▶ Provides indirect illumination in locations where it is important to avoid typical glare
- ▶ DesignerLine Low-Profile Cove is part of an extensive system of matched products including various cove and valance fixtures
- ▶ Heavy-duty hook-on mounting brackets make it easy to securely install and level fixtures
- ▶ Joiner and alignment system permit mounting in continuous rows with hairline seams that virtually disappear
- ▶ Optional anti-microbial white finish available for use in healthcare applications
- ▶ This fixture is proudly made in the USA

ORDERING INFORMATION

SERIES
LPC DesignerLine Low-Profile Cove – Tunable White

STYLE
CL Classic
CV CurviLine

NOMINAL LENGTH
4 4'
8 8'

EXAMPLE: L41/8TW		
LUMEN PACKAGE	NOMINAL LUMENS	WATTAGE
4'		
L41	4,100	38
8'		
L82	8,200	77

Nominal lumen output based on 4000K CCT. Actual lumens may vary +/-5%, see fixture performance data. Additional LED lumen packages available, see options.

CRI & CCT
8TW Tunable white (80 CRI, 3000K–5000K)

FIXTURE TYPE
F Electrical feeder unit, quick-connect wiring harness, left end cap installed
J Joiner unit, quick-connect wiring harness, no end caps
E End unit, quick-connect wiring harness, right end cap installed
S Stand-alone unit, two end caps installed

END CAP STYLE
F Flat ends
M Mitered ends (increases overall length, see back for details)

OPTIONS
GLR (L_) Fuse, fast blow (specify voltage), one per driver. Additional lower lumen packages available. Specify in increments of 100 nominal lumens. Option must be specified with next *higher* lumen package.
Example: 3,500 nominal lumens = LPCCCL-4-L41/8TW-(L35).
AMW Anti-microbial white finish

CONTROL
 See page 2 for details.
DALI Driver prewired for DALI applications
DIM (1) 0-10V signal to control dimming
 (1) 0-10V signal to control CCT
DMX Driver prewired for DMX applications

VOLTAGE
120 120V
277 277V
UNV 120-277V

SPECIFICATIONS

Housing/Reflector – Seam-welded extruded aluminum.

Weight – 5 lbs. per foot

End Caps – Aluminum, welded, seam-filled and finished at ends of individual units and rows.

Reflective Surfaces – 92% minimum average reflective white polyester powder coat on interior components.

Shielding – Frosted acrylic, .125" thick.

Finish – Textured matte white polyester TGIC powder coat bonded to phosphate-free, multi-stage pretreated metal. All parts painted after fabrication to facilitate installation, increase efficiency, and inhibit corrosion.

Electrical – High quality mid-power LED board. L70 > 50,000 hours per IES TM-21. Tunable White products use LEDs of multiple CCTs and may produce a perceptibly different shade of white from single-CCT products at the same CCT. All CCTs are within 3 MacAdam ellipses.

Mounting – Wall mount, individual units or continuous rows.

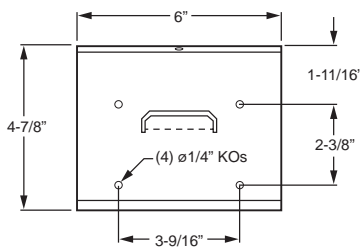
Labels – cCSAus certified as luminaire suitable for dry or damp locations.

Warranty – 5-year limited warranty, see hew.com/warranty.

IMPORTANT:

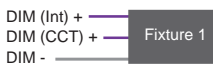
Electrostatic sensitive unit. Observe precautions when handling.

WALL MOUNT BRACKET



CONTROL DETAILS

DIM



DALI



DMX



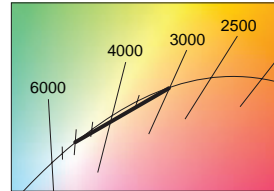
FIXTURE PERFORMANCE DATA

LED PACKAGE	DELIVERED LUMENS	WATTAGE	EFFICACY (lm/W)
4'			
L41	4148	38.3	108.2
8'			
L82	8296	76.7	107.8

- Photometrics tested in accordance with IESNA LM-79. Results shown are based on 25°C ambient temperature.
- Wattage shown is average for 120V through 277V input.
- Results based on 4000K, 80 CRI, actual lumens may vary +/-5%
- Use multiplier table to calculate additional options.

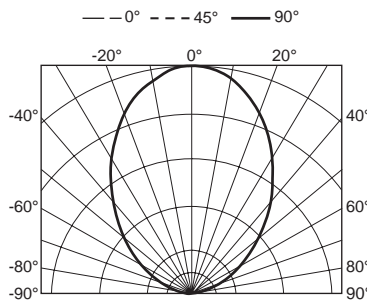
MULTIPLIER TABLE

CCT	CONVERSION FACTOR	
	LUMENS	WATTAGE
3000K	0.95	1.04
3500K	0.98	1.02
4000K	1.00	1.00
5000K	0.96	1.04



PHOTOMETRY

LPCCCL-4-L41/8TW-DALI-UNV Total Luminaire Output: 5166 lumens; 38.3 Watts | Efficacy: 108 lm/W

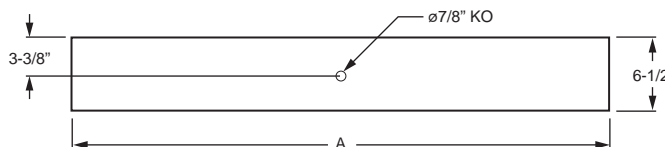


Vertical Angle	Horizontal Angle					Zonal Lumens
	0°	45°	90°	135°	180°	
0	3	4	13	7	11	
5	35	54	99	58	44	75
15	198	232	247	204	166	233
25	399	424	449	400	336	410
35	629	666	698	637	577	585
45	905	948	979	909	836	717
55	1214	1248	1271	1206	1141	767
65	1502	1522	1532	1493	1440	693
75	1744	1747	1755	1736	1721	489
85	1865	1862	1876	1861	1867	176
90	1885	1885	1885	1885	1885	

LUMEN SUMMARY	Zone	Lumens	% Fixture
	90-120	717	17
	90-130	1302	31
	90-150	2785	67
	90-180	4144	100
	0-180	4144	100

FIXTURE DETAILS

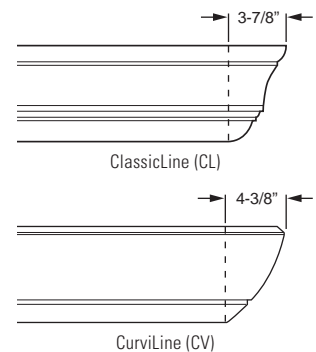
BACK VIEW



NOMINAL LENGTH	ACTUAL LENGTH (A)
4'	46-3/16"
8'	92-1/8"

Note: Mitered ends add to overall length, see details at right.

MITERED END DETAILS



FIXTURE TYPE DETAILS (ClassicLine shown)

	F	J	E	S
Mitered				
Flat				