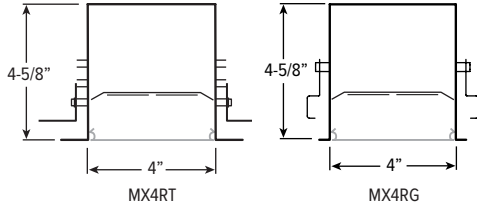


MX4R LED 4" Continuous – Recessed



CATALOG #: _____

TYPE: _____

PROJECT: _____

FEATURES

- Create elegant spaces with a seamless, continuous row of illumination
- Maximize energy savings with efficacies as high as 121 lm/W
- Flat and regressed lenses give designers a variety of looks
- Linear extrusion contains snap-in light rails for ease of installation and maintenance
- Versatile MX4 system includes recessed, surface, suspended and in-wall mounting, see hew.com
- Corner configurations available, see Product Builder at hew.com/product-builder
- Diffuse acrylic lens provides uniform illumination for visual comfort
- Made Right Here® in the USA

SPECIFICATIONS

- HOUSING – Extruded aluminum.
- SHIELDING – Extruded, flat, diffuse acrylic lens.
- FINISH – 92% minimum average reflective white polyester powder coat bonded to phosphate-free, multi-stage pretreated metal. All parts painted after fabrication to facilitate installation, increase efficiency, and inhibit corrosion.
- ELECTRICAL – High quality mid-power LED boards. L70 >60,000 hours per IES TM-21.
- MOUNTING – MX4RT: Drywall mount allowing for ceiling materials 1/4" - 2" thick. Fixture to be installed prior to drywall or finished ceiling material. MX4RG: NEMA Type "G" standard
- LISTINGS –
 - cETLus conforms to UL STD 1598.
 - Certified to CAN/CSA STD C22.2 No. 250.0.
 - Suitable for damp locations.
 - DesignLights Consortium qualified product. Not all versions of this product may be DLC qualified, see the DLC Qualified Products List at www.designlights.org/QPL.
- WARRANTY – 5-year limited warranty, see hew.com/warranty.

ORDERING EXAMPLE: MX4RTR - 8'00 - L8/835 - F - OPTIONS - DIM - UNV

SERIES	FIXTURE STYLE	LENGTH
MX4R	TR Drywall or Hard Surface - Trim	Lengths specified in feet and inches using 4" increments, 2' minimum. Example: 8'00 = 8'-0"
	TL Drywall or Hard Surface - Trimless	
	G Grid ⁽¹⁾	

Product Builder
Easily build shapes & simplify ordering with the Williams Linear Product Builder at hew.com/product-builder^[2]



LUMENS ^[3]	CRI	CCT	SHIELDING	OPTIONS ^[4]
L8 800lm	8 80	27 2700K	F Flat, diffuse acrylic	EM/7W 7-watt emergency battery ^[7]
L12 1200lm	9 90 ^[5]	30 3000K	R Regressed diffuse acrylic ^[6]	EM/7WRM Remote mount 7-watt emergency battery ^[8]
L15 1500lm		35 3500K		EM/10W 10-watt emergency battery ^[9]
		40 4000K		EM/10WRM Remote mount 10-watt emergency battery ^[10]
		50 5000K		OCC ___ Factory-installed occupancy sensor ^[11] : OCCWS FS-355-L6
				V90R Vertical 90° corner, recessed ^[12]
				V90G Vertical 90° corner, grid ^[13]

CONTROL ^[14]	VOLTAGE
DIM Dimming driver	120 120V
DRV Non-dimming driver	277 277V
VDO/DSR Lutron Vive integral fixture control, RF with daylight and occupancy sensor (DFCSJ-OEM-OCC) and sensor-ready driver	UNV 120-277V
VRF/DSR Lutron Vive integral fixture control, RF only (DFCSJ-OEM-RF) and sensor-ready driver	347 347V ^[15]

NOTES

- 1 Earthquake clips provided.
- 2 See page 4 for CORNER DETAILS.
- 3 Lumens per foot output based on 3500 CCT and F shielding. Actual lumens per foot may vary +/-5%. See page 2 for FIXTURE PERFORMANCE DATA.
- 4 See page 3 for FINISH OPTIONS. Custom colors available upon request. See Technical Info for Power Entry details.
- 5 Extended lead times may apply. Consult factory for availability.
- 6 See page 3 for SHIELDING DETAILS. Not available with corner configurations or transition options.
- 7 Not available with fixtures less than 4'.
- 8 L12 and L15 or fixtures less than 4' only.
- 9 L8 only. Not available with fixtures less than 4'.
- 10 L12 and L15 or fixtures less than 4' only.
- 11 Utilizes 4" of housing at end of fixture. See page 3 for FIXTURE DETAILS. 120V or 277V only.
- 12 Connects MX4RT to vertically mounted MX4RW. See page 3 for FIXTURE DETAILS. Ships separately.
- 13 Connects MX4RG to vertically mounted MX4RW. See page 3 for FIXTURE DETAILS.
- 14 See page 2 for ADDITIONAL CONTROL OPTIONS.
- 15 Not available with EM drivers.



MX4R LED 4" Continuous – Recessed

FIXTURE PERFORMANCE DATA

	MX4RTL/MX4RTR: PER FOOT		
	DELIVERED LUMENS	WATTAGE	EFFICACY (lm/W)
L8	874	7.3	120
L12	1289	10.9	120
L15	1601	13.7	121

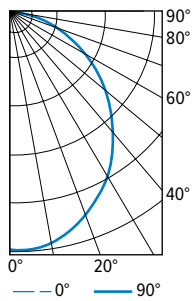
- Photometrics tested in accordance with IESNA LM-79. Results shown are based on 25°C ambient temperature.
- Wattage shown is average for 120V through 277V input.
- Results based on F shielding, 3500K, 80 CRI, actual lumens may vary +/-5%
- Use multiplier table to calculate additional options.

MULTIPLIER TABLE

	COLOR TEMPERATURE	
	CCT	CONVERSION FACTOR
80 CRI	2700K	0.97
	3000K	0.99
	3500K	1.00
	4000K	1.03
	5000K	1.06
90 CRI	2700K	0.80
	3000K	0.82
	3500K	0.83
	4000K	0.86
	5000K	0.89

PHOTOMETRY

MX4RG-4'00-L8/835-F-DIM Total Luminaire Output: 3496 lumens; 29.2 Watts | Efficacy: 120 lm/W | 80 CRI; 3500K CCT



VERTICAL ANGLE	HORIZONTAL ANGLE			ZONAL LUMENS
	0°	45°	90°	
0	1431	1431	1431	
5	1439	1413	1411	135
15	1373	1339	1331	379
25	1227	1207	1189	555
35	1053	1021	1003	643
45	844	826	792	634
55	634	596	586	540
65	394	380	368	378
75	180	178	180	191
85	28	28	28	41
90	2	0	0	

LUMEN SUMMARY	ZONE	LUMENS	% FIXTURE
	0 - 30	1069	31
0 - 40	1712	49	
0 - 60	2886	83	
0 - 90	3496	100	
0 - 180	3496	100	

ADDITIONAL CONTROL OPTIONS

Note: Lumen restrictions apply, consult product builder at hew.com/product-builder.

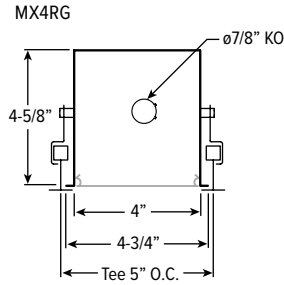
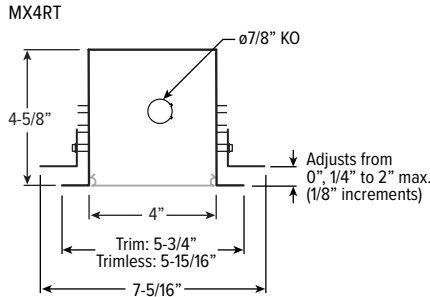
CATALOG NUMBER	DESCRIPTION
DRV	Driver prewired for non-dimming applications
DIM	Dimming driver prewired for 0-10V low voltage applications
DIM1	1% dimming driver prewired for 0-10V low voltage applications
DIM LINE	Line voltage dimming driver (Must specify 120V or 277V only)
DSR	Sensor-ready driver
SD40	40% step-dimming driver
SD50	50% step-dimming driver
DALI	DALI dimming driver
LTE LINE	Lutron Hi-lume 1% 2-wire dimming driver forward phase line voltage controls (120V only)
LDE1	Lutron Hi-lume 1% EcoSystem dimming LED driver
LDE5	Lutron 5-Series 5% EcoSystem dimming LED driver
VDO/DSR	Lutron Vive integral fixture control, RF with daylight and occupancy sensor (DFCSJ-OEM-OCC) and sensor-ready driver
VRF/DSR	Lutron Vive integral fixture control, RF only (DFCSJ-OEM-RF) and sensor-ready driver
VDO/DBI/LDE1	Lutron Vive integral fixture control, RF with daylight and occupancy sensor (DFCSJ-OEM-OCC), Lutron Hi-lume 1% EcoSystem dimming LED driver, and digital link interface
VDO/DBI/LDE5	Lutron Vive integral fixture control, RF with daylight and occupancy sensor (DFCSJ-OEM-OCC), Lutron 5-Series 5% EcoSystem dimming LED driver, and digital link interface
VRF/DBI/LDE1	Lutron Vive integral fixture control, RF only (DFCSJ-OEM-RF), Lutron Hi-lume 1% EcoSystem dimming LED driver, and digital link interface
VRF/DBI/LDE5	Lutron Vive integral fixture control, RF only (DFCSJ-OEM-RF), Lutron 5-Series 5% EcoSystem dimming LED driver, and digital link interface
ELDO SOLOB	EldoLED Solodrive, 0.1% dimming driver for 0-10V controls
ELDO SOLOB DALI	EldoLED Solodrive, 0.1% dimming driver for DALI controls
ELDO ECO1	EldoLED Ecodrive, 1% dimming driver for 0-10V controls
ELDO ECO1 DALI	EldoLED Ecodrive, 1% dimming driver for DALI controls



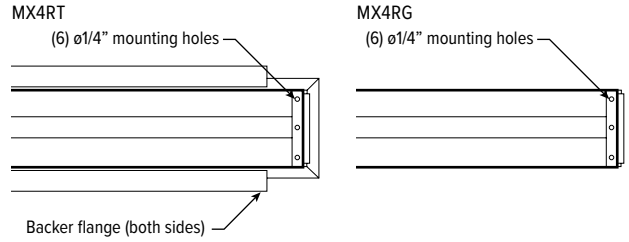
MX4R LED 4" Continuous – Recessed

FIXTURE DETAILS

END VIEW

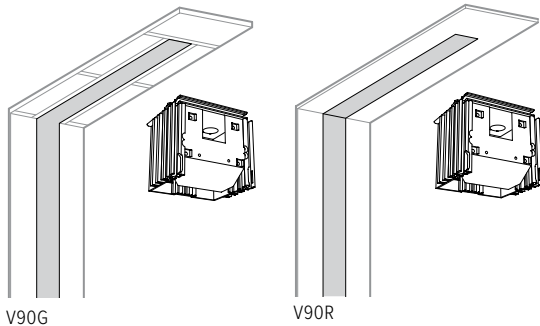


BACK VIEWS

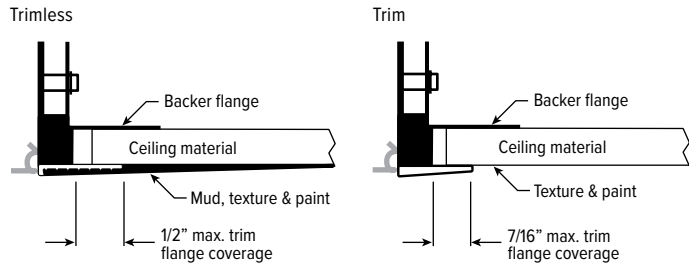


TRANSITION CORNERS

Includes tamper resistant lens bracket for lower end of vertical fixture.



TRIM FINISH DETAILS (MX4RT only)



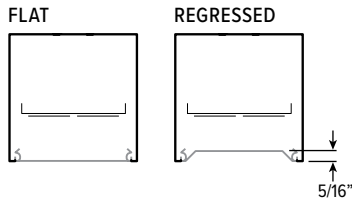
ROUGH-IN DIMENSIONS

- Framing allowance for width (stand-alone) is 5-3/4" \pm 1/4".
- Framing allowance for width (row mount) is 14-1/2" for access to cinching screws.
- Framing allowance for length (All Types) is length plus 1-1/2" minimum.

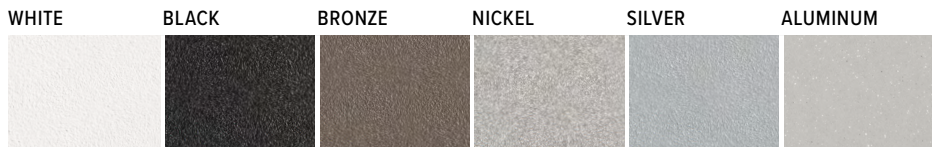
OCCUPANCY SENSOR



SHIELDING DETAILS



FINISH OPTIONS



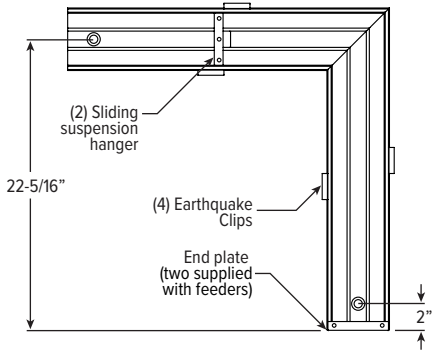
For custom color, please specify RAL code or a manufacturer code with description. All custom colors other than RAL require two sample swatches, minimum 1" square.



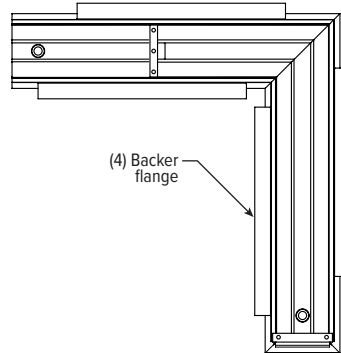
MX4R LED 4" Continuous – Recessed

CORNER DETAILS

MX4R90G BACK VIEW



MX4R90TR | MX4R90TL BACK VIEW



Note: Corner orientation determined in field. Feeder corner end cap shipped separately.

MX4R90TR | MX4R90TL dimensions are the same as MX4R90G, except for 5" centers T-bars.

