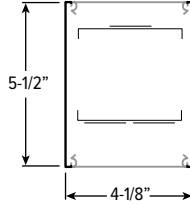


# MX4UD tunable WHITE 4" Continuous Up/Down – Suspended



CATALOG #: \_\_\_\_\_

TYPE: \_\_\_\_\_

PROJECT: \_\_\_\_\_

## FEATURES

- Tunable white from 3000K to 5000K CCT, minimum 80 CRI
- Create elegant spaces with a seamless, continuous row of illumination
- Flat and proud lenses give designers a variety of looks
- Moveable mounting hardware easily slides along the length of the fixture providing variable mounting points
- Maximize energy savings with efficacies as high as 124 lm/W
- Linear extrusion contains snap-in light rails for ease of installation and maintenance
- Versatile MX4 system includes recessed, surface, suspended and in-wall mounting, see [hew.com](http://hew.com)
- Corner configurations available, see Product Builder at [hew.com/product-builder](http://hew.com/product-builder)
- Diffuse acrylic lens provides uniform illumination for visual comfort
- Made Right Here™ in the USA

## SPECIFICATIONS

- HOUSING – Extruded aluminum with die-cast end plates.
- SHIELDING – Extruded, flat, diffuse acrylic lens.
- FINISH – Textured matte white polyester TGIC powder coat bonded to phosphate-free, multi-stage pretreated metal. All parts painted after fabrication to facilitate installation, increase efficiency, and inhibit corrosion.
- ELECTRICAL – High quality mid-power LED board. L70 > 60,000 hours per IES TM-21. Tunable White products use LEDs of multiple CCTs and may produce a perceptibly different shade of white from single-CCT products at the same CCT. All CCTs are within 3 MacAdam ellipses.
- MOUNTING – Suspended. 1/16" diameter adjustable steel leveling aircraft cable and mounting hardware necessary for grid and hardpan ceiling applications provided.
- LISTINGS – cETLus conforms to UL STD 1598. Certified to CAN/CSA STD C22.2 No. 250.0. Suitable for damp locations.
- WARRANTY – 5-year limited warranty, see [hew.com/warranty](http://hew.com/warranty).

## ORDERING EXAMPLE: MX4UD - 12'00 - L8/8TWU/L8/8TWD - A/F - AC/D48 - OPTIONS - DALI - UNV

### SERIES LENGTH

**MX4UD** Lengths specified in feet and inches using 4" increments, 2' minimum.  
Example: 12'00 = 12'-0"

### Product Builder

Easily build shapes & simplify ordering with the Williams Linear Product Builder at [hew.com/product-builder](http://hew.com/product-builder)<sup>[1]</sup>



### LUMEN PACKAGE (EXAMPLE: L8/8TWU/L8/8TWD)

Specify lumen packages: U for Uplight and D for Downlight

LUMENS <sup>[4]</sup>	COLOR	U or D
L8 800lm	8TW Tunable white (80 CRI, 3000K-5000K)	U Uplight D Downlight

### SHIELDING UP

A Flat, semi-diffuse acrylic
F Flat, diffuse acrylic <sup>[2]</sup>

### SHIELDING DOWN

F Flat, diffuse acrylic
P Proud, diffuse acrylic with 5/16" drop <sup>[3]</sup>

### MOUNTING (EXAMPLE: AC/D48)<sup>[5]</sup>

Prefix	Type	Length
AC/	D 1" grid & hardpan	24 24"
	N 9/16" grid	48 48"
	S Slot grid	96 96"

### OPTIONS<sup>[6]</sup>

EM/7WRM	Remote mount 7-watt emergency battery
EM/10WRM	Remote mount 10-watt emergency battery
OCC__	Factory-installed occupancy sensor <sup>[8]</sup> :
OCCWS FS-355-L6	

### CONTROL<sup>[7]</sup>

DALI	Driver prewired for DALI applications
DIM	(1) 0-10V signal to control dimming (1) 0-10V signal to control CCT
DMX	Driver prewired for DMX applications

### VOLTAGE

120	120V
277	277V
UNV	120-277V

## NOTES

<sup>1</sup> See page 3 for CORNER DETAILS.

<sup>2</sup> Recommended for use in applications where fixture will be viewed from above. Decreases lumen output.

<sup>3</sup> See page 3 for SHIELDING DETAILS. Not available with corner configurations.

<sup>4</sup> Lumens per foot based on 4000K CCT and F shielding. Actual lumens may vary ±5%. See page 2 for FIXTURE PERFORMANCE DATA.

<sup>5</sup> See page 3 for MOUNTING DETAILS.

<sup>6</sup> See page 2 for FINISH OPTIONS. Custom colors available upon request. See Technical Info for Power Entry details.

<sup>7</sup> See page 2 for CONTROL DETAILS.

<sup>8</sup> Recommended for use in downlight orientation only. Utilizes 4" of housing at end of fixture. See page 3 for FIXTURE DETAILS. 120V or 277V only.



# MX4UD tunable WHITE 4" Continuous Up/Down – Suspended

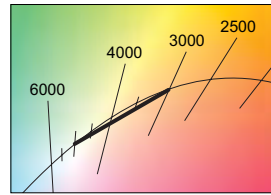
## FIXTURE PERFORMANCE DATA

PER FOOT		
DELIVERED LUMENS	WATTAGE	EFFICACY (lm/W)
1667	13.4	124

- Photometrics tested in accordance with IESNA LM-79. Results shown are based on 25°C ambient temperature.
- Wattage shown is average for 120V through 277V input.
- Results based on 4000K, 80 CRI, actual lumens may vary +/-5%
- Use multiplier table to calculate additional options.

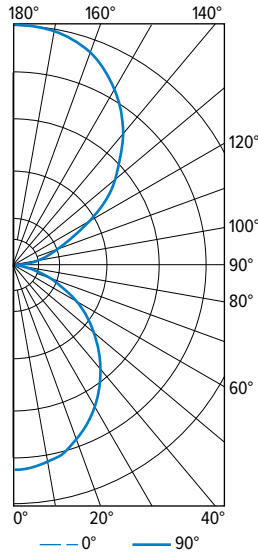
### MULTIPLIER TABLE

CCT	CONVERSION FACTOR	
	LUMENS	WATTAGE
3000K	0.95	1.04
3500K	0.98	1.02
4000K	1.00	1.00
5000K	0.96	1.04



## PHOTOMETRY

MX4UD-4'00-L8/8TWD/L8/8TWD-A/F-DALI Total Luminaire Output: 6668 lumens; 53.7 Watts | Efficacy: 124 lm/W | 80 CRI; 3500K CCT



VERTICAL ANGLE	HORIZONTAL ANGLE					ZONAL LUMENS
	0°	45°	90°	135°	180°	
0	1144	1144	1144	1144	1144	
5	1164	1152	1124	1122	1134	108
15	1112	1102	1080	1064	1070	306
25	1016	1008	975	965	965	453
35	871	865	839	821	813	526
45	702	700	676	660	628	520
55	528	516	492	484	478	445
65	335	327	315	309	309	315
75	159	151	143	147	140	159
85	28	24	18	22	24	35
90	6	6	12	6	6	
95	58	68	70	62	56	71
105	199	215	217	195	171	220
115	397	422	442	391	357	407
125	648	670	690	632	590	588
135	929	939	941	897	853	705
145	1138	1142	1150	1098	1074	704
155	1289	1293	1299	1258	1234	589
165	1367	1371	1385	1347	1331	385
175	1383	1389	1415	1377	1357	132
180	1385	1385	1385	1385	1385	

LUMEN SUMMARY	ZONE	LUMENS	% FIXTURE
	0 - 30	866	13
	0 - 40	1392	21
	0 - 60	2358	35
	0 - 90	2867	43
	90 - 120	698	11
	90 - 130	1286	19
	90 - 150	2695	40
	90 - 180	3801	57
	0 - 180	6668	100

## CONTROL DETAILS

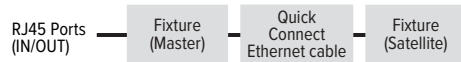
### DIM



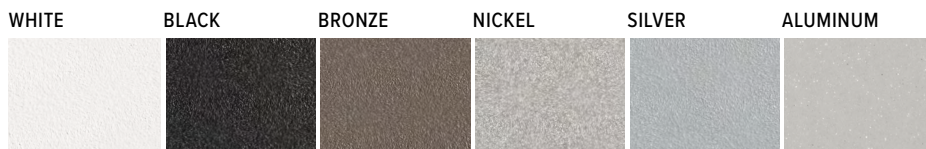
### DALI



### DMX



## FINISH OPTIONS



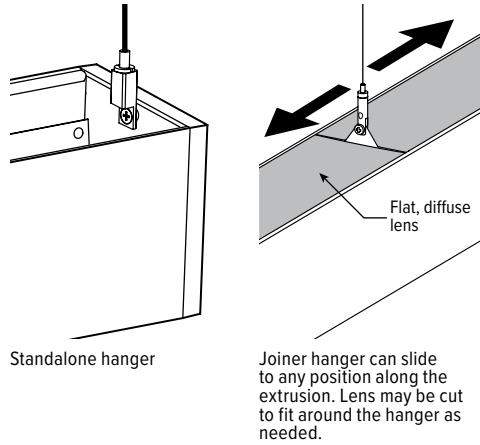
For custom color, please specify RAL code or a manufacturer code with description. All custom colors other than RAL require two sample swatches, minimum 1" square.



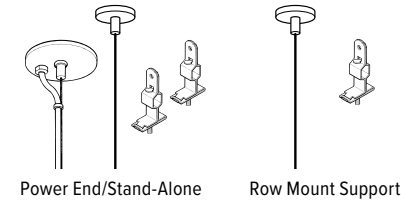
# MX4UD tunable WHITE 4" Continuous Up/Down – Suspended

## MOUNTING DETAILS

### INDIRECT HANGER DETAILS



### STANDARD HARDWARE



#### Notes:

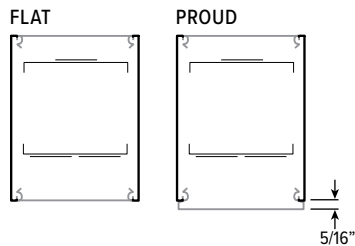
- Fixtures are provided with adjustable length aircraft cables and mounting hardware, must specify.
- Electrical supply is brought into the feeder (or stand-alone) fixture, either as part of a row or as an individual mount unit. Power feed locations are at end of fixture.
- One 5" canopy included for each feeder fixture. One 2" canopy included for each additional fixture required in a row.

## FIXTURE DETAILS

### OCCUPANCY SENSOR

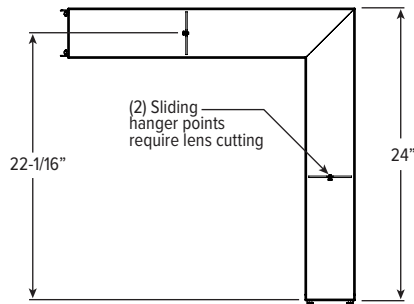


## SHIELDING DETAILS



## CORNER DETAILS

### BACK VIEW



Note: Corner orientation determined in field.  
Feeder corner end cap shipped separately.

