

6" ROUND ALUMINUM BOLLARD

OSA6R

LED

CATALOG #: _____ TYPE: _____

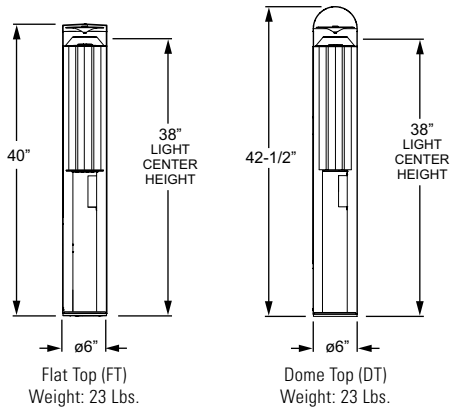
PROJECT: _____ NOTES: _____



EXAMPLE **OSA6R - L20/840 - AC - FT - DBR - AB - OPTIONS - DIM - UNV**

SERIES LUMEN PACKAGE CRI & CCT SHIELDING HOUSING TOP FINISH OPTIONS ANCHOR BOLTS OPTIONS DRIVER VOLTAGE

CROSS SECTIONS



FEATURES

- ▶ LEDs provide high-efficacy, good color rendering, a variety of color options, and 50,000 hours rated life (L70).
- ▶ Round aluminum bollard features a highly reflective bowl reflector with color-matched trim for effective light distribution and pleasing appearance day or night.
- ▶ Available with flat or dome top.
- ▶ SU to 2000-lumen module.
- ▶ 80 CRI minimum.
- ▶ 2700K, 3000K, 3500K, or 4000K.
- ▶ Finned, extruded aluminum heat sink for maximum heat dissipation.
- ▶ This fixture is proudly made in the USA.

ORDERING INFORMATION

SERIES
OSA6R 6" Round Aluminum Bollard

ANCHOR BOLTS
AB Anchor bolts (Three 3/8" x 12" cast-in galvanized steel anchor J-bolts, shipped with fixture. Mounting template included.)
LAB Less anchor bolts
PAB Pre-shipped anchor bolts (Three 3/8" x 12" cast-in galvanized steel anchor J-bolts. Mounting template included.)

LED PACKAGE

Example: L20/840			AVERAGE SYSTEM WATTAGE
LUMEN PACKAGE	NOMINAL LUMENS	MINIMUM CRI & CCT	
L11	1100	827 = 80 CRI, 2700K	17
		830 = 80 CRI, 3000K	
L20	2000	835 = 80 CRI, 3500K	27
		840 = 80 CRI, 4000K	

Nominal lumens based on 3500K CCT, actual lumens may vary.

OPTIONS
SF Single fuse (120V, 277V, or 347V only; must specify voltage)
DF Double fuse (208V, 240V, or 480V only; must specify voltage)

SHIELD/REFLECTOR
See back for shielding details.
AC Acrylic lens with bowl reflector

DRIVER
DRV Driver prewired for non-dimming applications
DIM Dimming driver prewired for 0-10V low voltage applications

HOUSING TOP
DT Dome top
FT Flat top

VOLTAGE
120 120V
208 208V
240 240V
277 277V
UNV 120-277V
347 347V
480 480V

FINISH OPTIONS
BLK Black (RAL #9004)
DBZ Dark bronze
DBR Medium bronze
GRAY Standard gray
GRN Green (RAL #6005)
SLV Satin aluminum (RAL #9006)
WHT White (RAL #9003)
RAL#_____ Specify custom color

LED

Catalog #: **OSA6R-L20/840-AC-FT-WHT**

SPECIFICATIONS

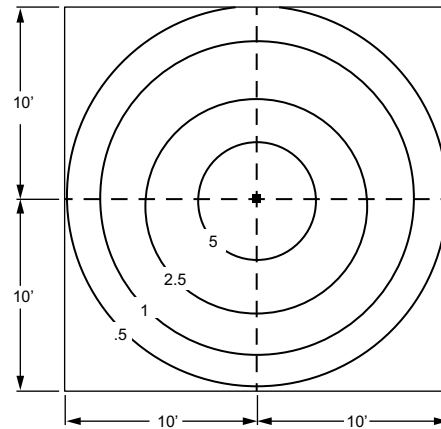
- Housing** – Fabricated aluminum, minimum .125" thick.
- Housing Top** – Spun aluminum, minimum .125" thick.
- Reflector** – Spun aluminum upper and lower reflectors with clear specular finish.
- Shield** – UV stabilized clear acrylic cylinder sealed with silicone. Type V distribution.
- Electrical** – High quality mid-power LED board. L70 at 50,000 hours. Prewired at factory for easy field installation. Rated -40°F minimum starting temperature.
- Finish** – Super durable polyester powder coat bonded to phosphate-free, multi-stage pretreated metal, meets and exceeds AAMA 2604 specifications for outdoor durability.
- Mounting** – Minimum 2" recessed in ground with four-point hot dip galvanized 1/4" A36 steel baseplate. For accurate installation a fullscale mounting template is provided with each bollard and anchor bolt order.
- Labels** – cETLus conforms to UL STD 1598 and UL STD 8750; Certified to CAN/CSA STD C22.2 No. 250.0. Suitable for wet locations.
- Warranty** – 5-year limited warranty, see hew.com/warranty.

PHOTOMETRY

TEST REPORT INFORMATION

- ▶ Test Report #: 100570727CHI-003
- ▶ Date: 09/12/12
- ▶ Lamp Type: LED
- ▶ **Rated Lumens: 1003**
- ▶ **Watts: 24.5**
- ▶ **Lumens Per Watt: 41.0**
- ▶ **CRI: 85**
- ▶ **CCT: 3895K**

FOOTCANDLE DISTRIBUTION



FIXTURE PERFORMANCE DATA

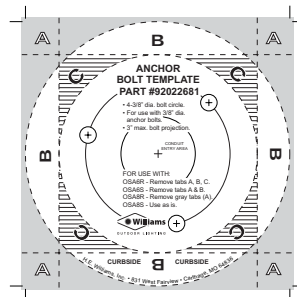
LED PACKAGE	DELIVERED LUMENS	WATTAGE	EFFICACY (lm/w)	CCT (K)	CRI
L20/830-AC-FT-WHT	1052	27.7	38.0	2989	85
L20/835-AC-FT-WHT	1034	27.5	37.7	3449	85
L20/840-AC-FT-WHT	1003	24.5	41.0	3895	85

FIXTURE DETAILS

SHIELDING



MOUNTING TEMPLATE



Mounting template is provided with each order. A pdf file (not to scale) of the mounting template is available at www.hew.com.

MOUNTING DETAILS

