

CATALOG #: \_\_\_\_\_

TYPE: \_\_\_\_\_

PROJECT: \_\_\_\_\_

## FEATURES

- Williams turn-key Power over Ethernet (PoE) solution provides plug-and-play networked lighting and control
- Round, surface mounted, architectural fixture adds visual interest to a variety of applications
- Provides soft, uniform ambient illumination
- Lift-and-twist lens assembly allows for easy maintenance
- Designed and manufactured in the USA

## ORDERING EXAMPLE: RNDS - 4 - P115/835 - FXA - OPTIONS - POE N

### ORDERING INFO

SERIES	DIAMETER	LUMENS <sup>[1]</sup>	CRI	CCT	LENS
RNDS	2 2'	2'	8 80	27 2700K	FXA Frosted convex acrylic lens
	3 3'	P22 2,200lm		30 3000K	
	4 4'	P45 4,500lm		35 3500K	
		3'		40 4000K	
	P50 5,000lm	50 5000K			
	4'	P115 11,500lm			

## SYSTEM REQUIREMENTS

- Lighting system (site software)
- Gateway or alternate server (runs software)
- PoE switches or Ethernet switches and mid-span power injectors
- See [hew.com/poe](http://hew.com/poe) for details

### OPTIONS

See [hew.com/poe](http://hew.com/poe) for compatible sensors and switches

### CONTROL <sup>[2]</sup>

- POE N** Power over Ethernet network node
- POE D** Power over Ethernet device node <sup>[3]</sup>

## SPECIFICATIONS

- HOUSING** – .080" spun aluminum outer housing with C.R.S. back plate.
- SHIELDING** – Frosted acrylic lens, .125" thick.
- FINISH** – Textured matte white polyester TGIC powder coat bonded to phosphate-free, multi-stage pretreated metal. All parts painted after fabrication to facilitate installation, increase efficiency, and inhibit corrosion.
- ELECTRICAL** – High quality mid-power LED boards. L85 at 50,000 hours. Low-voltage DC fixture, to be fed by Class 2 power supply.
- MOUNTING** – Surface mount.
- LISTINGS** – CCSAUS certified as luminaire suitable for dry or damp locations.
- WARRANTY** – 5-year limited warranty, see [hew.com/warranty](http://hew.com/warranty).

**IMPORTANT:** Electrostatic sensitive unit. Observe precautions when handling.

## NOTES

- Nominal lumen output based on 3500K CCT. Actual lumens may vary +/-5%, see page 2 for FIXTURE PERFORMANCE DATA
- See [hew.com/poe](http://hew.com/poe) for additional PoE information.
- Not available for fixtures over 40W.



## FIXTURE PERFORMANCE DATA

	LED PACKAGE	NOMINAL LUMENS	WATTAGE	EFFICACY (lm/W)
2'	P22	2238	25	89.5
	P45	4106	50	82.1
3'	P50	5028	50	100.6
4'	P115 <sup>1</sup>	11545	100	115.5

<sup>1</sup> Fixture contains two nodes, one power drop per node required.

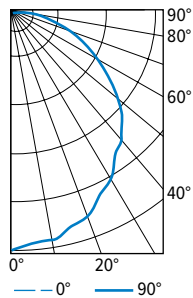
- Photometrics tested in accordance with IESNA LM-79. Results shown are based on 25°C ambient temperature.
- Results based on 3500K, 80 CRI, actual lumens may vary +/-5%
- Use multiplier table to calculate additional options.

## MULTIPLIER TABLES

COLOR TEMPERATURE	
CCT	CONVERSION FACTOR
2700K	0.97
3000K	0.99
3500K	1.00
4000K	1.03
5000K	1.06

## PHOTOMETRY

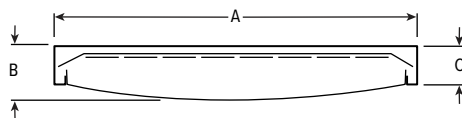
**RNDS-4-P115/835-FXA** Total Luminaire Output: 11545 lumens; 100 Watts | Efficacy: 115 lm/W | 83 CRI; 3375K CCT



VERTICAL ANGLE	HORIZONTAL ANGLE			ZONAL LUMENS
	0°	45°	90°	
0	4231	4231	4231	
5	4085	4082	4078	390
15	3913	3908	3910	1107
25	3542	3537	3540	1644
35	3087	3081	3086	1949
45	2704	2698	2702	2056
55	2070	2066	2073	1834
65	1425	1417	1427	1399
75	755	757	757	822
85	269	273	273	314
90	106	108	108	

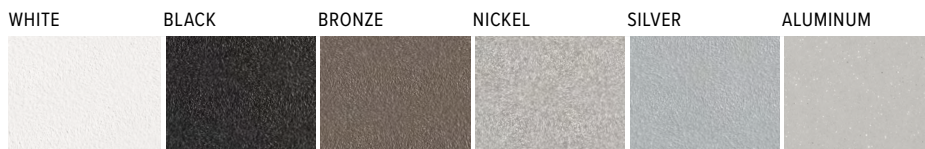
LUMEN SUMMARY	ZONE	LUMENS	% FIXTURE
	0 - 30	3141	27
	0 - 40	5090	44
	0 - 60	8980	78
	0 - 90	11516	99
	0 - 180	11545	100

## CROSS-SECTION



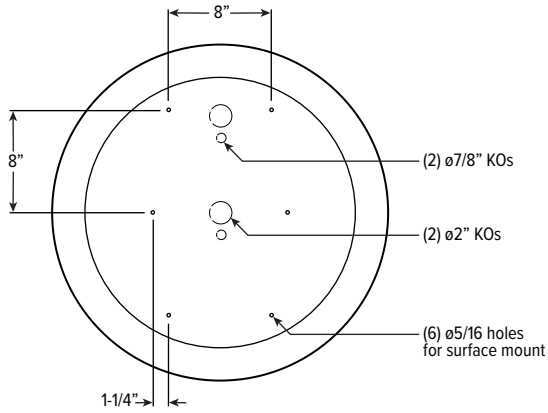
FIXTURE SIZE	A (DIA.)	B	C
2'	ø26-3/16"	6-11/16"	5-1/8"
3'	ø36-11/16"	7-3/16"	5-1/8"
4'	ø48-11/16"	7-11/16"	5-1/8"

## FINISH OPTIONS

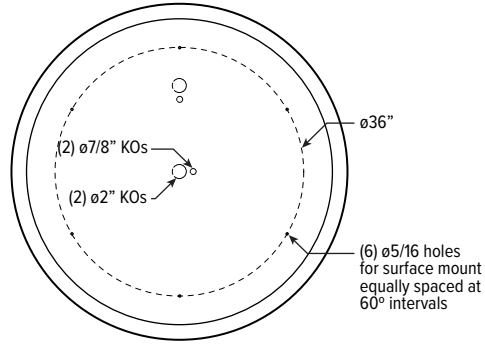


### MOUNTING DETAILS

#### 2' MOUNTING INFORMATION



#### 4' MOUNTING INFORMATION



#### 3' MOUNTING INFORMATION

