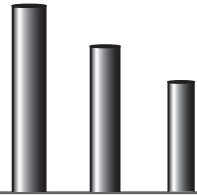


ROUND TAPERED ALUMINUM POLE

RTA



SUBMITTAL:

JOB:

TYPE:

EXAMPLE:

VM - RTA - 080 - 0300 - 0400 - 125 - T238 - DBR - AB - OPTIONS

▼

▼

▼

▼

▼

▼

▼

▼

▼

▼

SERIES

RTA — The RTA Series round tapered aluminum pole features one-piece construction in heights up to 50'.

Height, top diameter, shaft base diameter, and wall thickness combinations are limited to those specified in the Load and Dimensional Data table on pages 2C-2E.

HEIGHT (Must specify)

080¹	7'-8" ¹	280	27'-8"
100¹	9'-8" ¹	300	29'-8"
120	11'-8"	330	32'-8"
140	13'-8"	350	34'-8"
160	15'-8"	370	36'-8"
180	17'-8"	390	38'-8"
200	19'-8"	480²	47'-8" ²
230	22'-8"	500²	49'-8" ²
250	24'-8"		

¹ 0.125" wall thickness only.

² 0.250" wall thickness only.

TOP DIAMETER (Must specify)

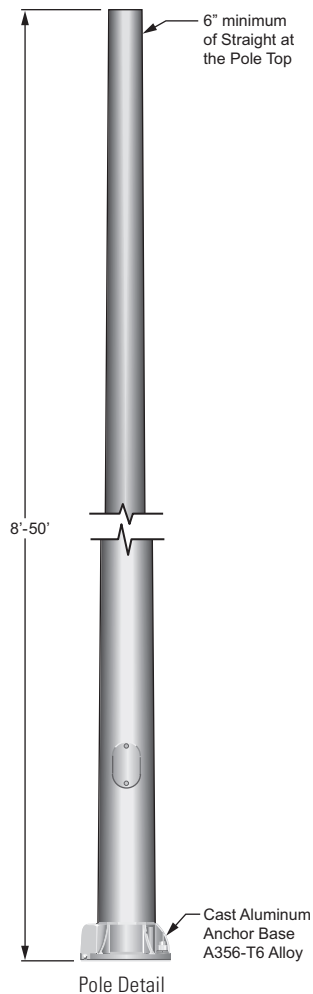
0300	3.00" (up to 20' only)
0400	4.00" (16' - 30' only)
0450	4.50" (23' - 39' only)
0600	6.00" (28' - 50' only)

SHAFT BASE DIAMETER (Must specify)

0400	4.00" (up to 16' only)
0500	5.00" (10' - 20' only)
0600	6.00" (16' - 25' only)
0700	7.00" (18' - 30' only)
0800	8.00" (23' - 39' only)
1000	10.00" (28' - 50' only)

WALL THICKNESS (Must specify)

125	0.125" (up to 20' only)
156	0.156" (12' - 39' only)
188	0.188" (12' - 39' only)
250	0.250" (28' - 50' only)



RTA SERIES

SHAFT — The pole shaft is spun from seamless alloy aluminum.

POLE TOP — A pole top plate and tenon (must specify size) are provided for top mount luminaire or Williams' pole top assembly.

HANDHOLE — A covered handhole with hardware and grounding provision are provided.

ANCHOR BASE — The anchor base is cast from 356 alloy aluminum. The completed assembly is heat-treated to a T6 temper. Aluminum nut covers are included with anchor base unless otherwise specified.

FIXTURE MOUNTING

Luminaires may be mounted on tenons or shaft may be drilled to specifications. When poles are drilled for luminaire mounting, black plastic pole top caps will be supplied. See Williams' Pole Top Assemblies for various fixture mounting tenon and arm assembly.

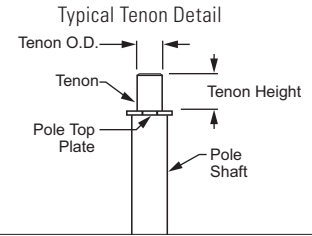
RADIAL INDEX

The radial index references how parts are oriented around the shaft. A degree measurement is used from a base point. The standard base point of reference is the handhole. Degrees are measured in a clockwise motion as viewed from the top of the shaft.

FIXTURE MOUNTING (Must specify)

POLE TOP MOUNT

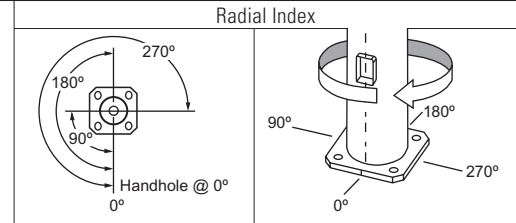
T238	2-3/8" O.D. x 4" round tenon (use with Williams' Pole Top Tenon Mounts)
T278	2-7/8" O.D. x 4" round tenon
T33	3" O.D. x 3" round tenon (use with Williams' Historic Pole Top Assemblies)
T312	3-1/2" O.D. x 12" round tenon (use with Williams' AVPT Decorative Pole Top Assemblies)
TC_____	Custom round tenon (must specify tenon diameter (O.D.) and height, consult factory)



DRILLED SIDE MOUNT

Must specify drilling location using codes below. See radial index for clarification. Note: Minimum 6" of straight provided at top of pole. Consult factory for details.

EXAMPLE: sm/s
(side mount drill, single fixture located at 0°)



SM/S

Side mount drill/single 0°
(located at 0°)



SM/D90

Side mount drill/double 90°
(located at 0° and 90°)



SM/D180

Side mount drill/double 180°
(located at 0° and 180°)



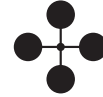
SM/T90

Side mount drill/triple 90°
(located at 0°, 90°, and 180°)



SM/T120

Side mount drill/triple 120°
(located at 0°, 120°, and 240°)



SM/Q90

Side mount drill/quad 90°
(located at 0°, 90°, 180°, and 270°)

FINISH OPTIONS

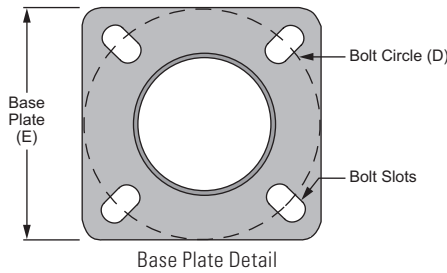
Polyester powder coat applied over chromate pre-treatment.

FINISH OPTIONS (Must specify)

BLK	Black (RAL #9004)	GRN	Green (RAL #6005)
DBZ	Dark bronze	SLV	Satin aluminum (RAL #9006)
DBR	Medium bronze	WHT	White (RAL #9003)
GRAY	Standard gray	RAL#_____	Specify custom color

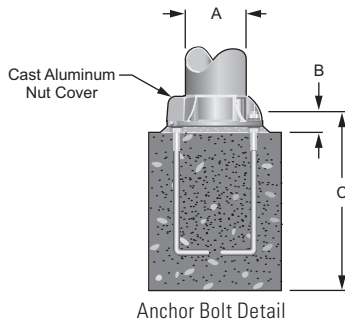
ANCHOR BOLTS (Must specify)

AB	Anchor bolts (4 each, shipped with pole)
LAB	Less anchor bolts
PAB	Pre-shipped anchor bolts (4 each)



ANCHOR BOLTS

Anchor bolts conform to ASTM F1554 Grade 55 and are provided with two hex nuts and two flat washers. Bolts have an "L" bend on one end and are galvanized a minimum of 12" on the threaded end.



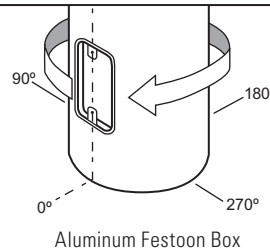
ANCHORAGE DATA (All Measurements in Inches)

POLE		ANCHOR BASE				ANCHOR BOLTS			
BASE O.D. (A)	WALL THK.	BOLT CIRCLE (D)		SQ. (E)	THK.	DIA. x LENGTH x HOOK (C)	PROJ. (B)	±	
		DIA.	±						
4	0.125	7.50	0.75	8.91	0.63	0.75 x 17.00 x 3.00	3.25	N/A	
	0.188	8.63	0.88	9.61	0.63	0.75 x 17.00 x 3.00	3.25	N/A	
5	0.156	8.63	0.88	9.61	0.63	0.75 x 17.00 x 3.00	3.25	N/A	
	0.188	8.63	0.88	9.61	0.63	0.75 x 17.00 x 3.00	3.25	N/A	
6	0.156	9.50	0.75	10.32	0.63	0.75 x 17.00 x 3.00	3.5	N/A	
	0.188	9.50	0.75	10.32	0.63	0.75 x 17.00 x 3.00	3.5	N/A	
7	0.156	10.56	0.43	11.26	0.75	1.00 x 36.00 x 4.00	4.13	N/A	
	0.188	11.63	0.37	12.05	0.75	1.00 x 36.00 x 4.00	4.13	N/A	
8	0.156	11.63	0.37	12.05	0.75	1.00 x 36.00 x 4.00	4.13	N/A	
	0.188	11.63	0.37	12.05	0.75	1.00 x 36.00 x 4.00	4.13	N/A	
9	0.156	13.25	0.75	12.48	1.25	1.00 x 36.00 x 4.00	4.13	N/A	
	0.188	13.25	0.75	12.48	1.25	1.00 x 36.00 x 4.00	4.13	N/A	
10	0.188	14.31	0.69	13.19	1.25	1.00 x 36.00 x 4.00	4.75	N/A	
	0.250	14.50	0.50	14.00	1.25	1.25 x 42.00 x 6.00	5.25	N/A	

OPTIONS

FS Festoon box only

NOTE: Casting only. Outlet, cover, and hardware by others. The festoon box is located above the access door at 0°, approximately 41" above ground level.



SBC	Spun aluminum base cover	VB3	Vibration damper (field installed 22'-30')
VB1	Vibration damper (factory installed)	VB4	Vibration damper (field installed 32'-40')
VB2	Vibration damper (field installed, 10'-20')	VB5	Vibration damper (field installed 42'-50')

LOAD AND DIMENSIONAL DATA (Continued on back)

NOM. MTG. HEIGHT	CATALOG NUMBER	POLE DIMENSIONS					MAXIMUM LUMINAIRE WT. (LBS)	MAX. EPA (SQ FT) ³				
		POLE HEIGHT	TOP O.D.	BASE O.D.	WALL THK.	STRUCT. WT. (LBS)		70 MPH	80 MPH	90 MPH	100 MPH	110 MPH
8'	RTA-080-0300-0400-125	7'-8"	3.00"	4.00"	0.125"	18	75	14.2	10.7	8.2	6.5	5.2
10'	RTA-100-0300-0400-125	9'-8"	3.00"	4.00"	0.125"	21	75	11.3	8.4	6.4	4.9	3.9
	RTA-100-0300-0500-125		3.00"	5.00"	0.125"	25	75	18.7	14	10.8	8.6	7.0

³ Effective Projected Area (EPA) calculations are based on a 1.3 Gust Factor. Variations from sizes listed above available upon inquiry. Satisfactory performance of lighting poles is dependent upon the pole being properly attached to a supporting foundation of adequate design. H.E. Williams, Inc. does not offer recommendations for foundations. See Williams Outdoor Information Section, page 19A, for Wind Map and EPA information.

LOAD AND DIMENSIONAL DATA (Continued on next page)

NOM. MTG. HEIGHT	CATALOG NUMBER	POLE DIMENSIONS					MAXIMUM LUMINAIRE WT. (LBS)	MAX. EPA (SQ FT) ³				
		POLE HEIGHT	TOP O.D.	BASE O.D.	WALL THK.	STRUCT. WT. (LBS)		70 MPH	80 MPH	90 MPH	100 MPH	110 MPH
12'	RTA-120-0300-0400-125	11'-8"	3.00"	4.00"	0.125"	24	75	9.1	6.6	4.9	3.7	2.8
	RTA-120-0300-0500-125		3.00"	5.00"	0.125"	27	75	15.5	11.5	8.7	6.8	5.4
	RTA-120-0300-0500-156		3.00"	5.00"	0.156"	32	75	19.5	14.5	11.2	8.8	7.1
	RTA-120-0300-0500-188		3.00"	5.00"	0.188"	37	150	23.1	17.3	13.4	10.6	8.5
14'	RTA-140-0300-0400-125	13'-8"	3.00"	4.00"	0.125"	38	75	7.3	5.2	3.7	2.6	1.9
	RTA-140-0300-0500-125		3.00"	5.00"	0.125"	32	75	12.8	9.3	7.0	5.4	4.2
	RTA-140-0300-0500-156		3.00"	5.00"	0.156"	38	75	16.3	12.0	9.1	7.1	5.6
	RTA-140-0300-0500-188		3.00"	5.00"	0.188"	44	150	19.4	14.4	11	8.6	6.9
16'	RTA-160-0300-0400-125	15'-8"	3.00"	4.00"	0.125"	31	75	5.6	3.8	2.5	1.7	1.1
	RTA-160-0300-0500-125		3.00"	5.00"	0.125"	36	75	10.3	7.3	5.4	4.1	3.1
	RTA-160-0300-0500-156		3.00"	5.00"	0.156"	43	75	13.3	9.6	7.2	5.5	4.3
	RTA-160-0300-0500-188		3.00"	5.00"	0.188"	51	150	15.9	11.6	8.8	6.8	5.4
	RTA-160-0400-0600-156		4.00"	6.00"	0.156"	54	150	19.9	14.7	11.3	9.0	7.3
	RTA-160-0400-0600-188		4.00"	6.00"	0.188"	63	150	24.3	18.1	14	11.2	9.1
18'	RTA-180-0300-0500-125	17'-8"	3.00"	5.00"	0.125"	41	150	7.9	5.4	3.8	2.8	2.1
	RTA-180-0300-0500-156		3.00"	5.00"	0.156"	49	150	10.5	7.4	5.4	4.0	3.1
	RTA-180-0300-0500-188		3.00"	5.00"	0.188"	57	150	13.0	9.4	7.0	5.3	4.1
	RTA-180-0400-0600-156		4.00"	6.00"	0.156"	60	150	16.6	12.1	9.2	7.2	5.8
	RTA-180-0400-0600-188		4.00"	6.00"	0.188"	71	150	20.4	15.0	11.5	9.0	7.3
	RTA-180-0400-0700-156		4.00"	7.00"	0.156"	66	150	24.2	17.9	13.8	10.9	8.9
20'	RTA-200-0300-0500-125	19'-8"	3.00"	5.00"	0.125"	43	150	6.3	4.1	2.7	1.8	1.2
	RTA-200-0300-0500-156		3.00"	5.00"	0.156"	52	150	8.5	5.9	4.1	2.9	2.1
	RTA-200-0300-0500-188		3.00"	5.00"	0.188"	61	150	10.8	7.6	5.5	4.0	3.0
	RTA-200-0400-0600-156		4.00"	6.00"	0.156"	63	150	13.8	9.9	7.3	5.6	4.6
	RTA-200-0400-0600-188		4.00"	6.00"	0.188"	75	150	17.1	12.4	9.4	7.3	5.9
	RTA-200-0400-0700-156		4.00"	7.00"	0.156"	73	150	20.5	15.1	11.5	9.0	7.3
23'	RTA-230-0400-0600-156	22'-8"	4.00"	6.00"	0.156"	69	150	10.3	7.1	5.1	3.8	2.9
	RTA-230-0400-0600-188		4.00"	6.00"	0.188"	81	150	13.2	9.3	6.8	5.2	4.1
	RTA-230-0400-0700-156		4.00"	7.00"	0.156"	77	150	16.0	11.5	8.6	6.6	5.3
	RTA-230-0450-0800-156		4.50"	8.00"	0.156"	87	150	22.4	16.5	12.7	10.0	8.1
	RTA-230-0450-0800-188		4.50"	8.00"	0.188"	102	150	27.7	20.6	15.9	12.6	10.2
	RTA-230-0450-0900-156		4.50"	9.00"	0.156"	97	150	29.9	22.3	17.3	13.7	11.1
25'	RTA-250-0400-0600-156 ⁴	24'-8"	4.00"	6.00"	0.156"	75	150	8.6	5.7	3.8	2.7	2.0
	RTA-250-0400-0600-188		4.00"	6.00"	0.188"	89	150	11.0	7.6	5.4	4.0	3.1
	RTA-250-0400-0700-156		4.00"	7.00"	0.156"	85	150	13.6	9.6	7.0	5.3	4.2
	RTA-250-0450-0800-156		4.50"	8.00"	0.156"	96	150	19.4	14.2	10.8	8.5	6.8
	RTA-250-0450-0800-188		4.50"	8.00"	0.188"	113	150	24.2	17.8	13.7	10.8	8.7
	RTA-250-0450-0900-156		4.50"	9.00"	0.156"	107	150	26.2	19.4	15.0	11.8	9.5
28'	RTA-280-0400-0700-156 ⁴	27'-8"	4.00"	7.00"	0.156"	92	150	10.5	7.1	5.0	3.7	2.8
	RTA-280-0450-0800-156		4.50"	8.00"	0.156"	105	150	15.5	11.1	8.3	6.5	5.1
	RTA-280-0450-0800-188		4.50"	8.00"	0.188"	124	150	19.6	14.3	10.8	8.5	6.8
	RTA-280-0450-0800-250		4.50"	8.00"	0.250"	161	150	27.4	20.2	15.5	12.3	9.9
	RTA-280-0450-0900-156		4.50"	9.00"	0.156"	116	150	21.4	15.7	12.0	9.4	7.5
	RTA-280-0450-0900-188		4.50"	9.00"	0.188"	137	150	26.8	19.8	15.2	12.0	9.7
	RTA-280-0600-1000-188		6.00"	10.00"	0.188"	161	200	34.5	26.0	20.2	16.0	12.9
	RTA-280-0600-1000-250		6.00"	10.00"	0.250"	217	300	46.6	35.3	27.5	22.0	17.8

³ Effective Projected Area (EPA) calculations are based on a 1.3 Gust Factor. Variations from sizes listed above available upon inquiry. Satisfactory performance of lighting poles is dependent upon the pole being properly attached to a supporting foundation of adequate design. H.E. Williams, Inc. does not offer recommendations for foundations. See Williams Outdoor Information Section, page 19A, for Wind Map and EPA information.

⁴ Pole includes factory-installed vibration damper.



LOAD AND DIMENSIONAL DATA (Continued)

NOM. MTG. HEIGHT	CATALOG NUMBER	POLE DIMENSIONS					MAXIMUM LUMINAIRE WT. (LBS)	MAX. EPA (SQ FT) ³				
		POLE HEIGHT	TOP O.D.	BASE O.D.	WALL THK.	STRUCT. WT. (LBS)		70 MPH	80 MPH	90 MPH	100 MPH	110 MPH
30'	RTA-300-0400-0700-156 ⁴	29'-8"	4.00"	7.00"	0.156"	99	150	8.8	5.7	3.8	2.7	2.0
	RTA-300-0450-0800-156 ⁴		4.50"	8.00"	0.156"	113	150	13.3	9.3	6.9	5.3	4.1
	RTA-300-0450-0800-188		4.50"	8.00"	0.188"	134	150	17.1	12.2	9.2	7.1	5.6
	RTA-300-0450-0900-156		4.50"	9.00"	0.156"	127	150	18.8	13.6	10.3	8.0	6.3
	RTA-300-0450-0900-188		4.50"	9.00"	0.188"	149	150	23.7	17.4	13.3	10.4	8.3
	RTA-300-0450-0800-250		4.50"	8.00"	0.250"	174	150	24.2	17.7	13.6	10.7	8.6
	RTA-300-0600-1000-188		6.00"	10.00"	0.188"	175	200	30.9	23.2	17.9	14.1	11.3
	RTA-300-0600-1000-250		6.00"	10.00"	0.250"	235	300	41.9	31.7	24.6	19.6	15.8
33'	RTA-330-0450-0800-156 ⁴	32'-8"	4.50"	8.00"	0.156"	124	150	10.4	7.1	5.1	3.8	2.9
	RTA-330-0450-0800-188		4.50"	8.00"	0.188"	147	150	13.8	9.7	7.1	5.5	4.2
	RTA-330-0450-0900-156 ⁴		4.50"	9.00"	0.156"	138	150	15.3	10.9	8.1	6.2	4.8
	RTA-330-0450-0900-188		4.50"	9.00"	0.188"	163	150	19.7	14.2	10.7	8.4	6.6
	RTA-330-0450-0800-250		4.50"	8.00"	0.250"	190	150	20.1	14.5	11.0	8.6	6.8
	RTA-330-0600-1000-188		6.00"	10.00"	0.188"	191	200	26.0	19.4	14.9	11.7	9.2
	RTA-330-0600-1000-250		6.00"	10.00"	0.250"	257	300	35.8	26.9	20.8	16.4	13.1
35'	RTA-350-0450-0800-156 ⁴	34'-8"	4.50"	8.00"	0.156"	133	150	8.8	5.7	4.0	2.9	2.1
	RTA-350-0450-0800-188		4.50"	8.00"	0.188"	158	150	11.9	8.2	6.0	4.5	3.4
	RTA-350-0450-0900-156 ⁴		4.50"	9.00"	0.156"	148	150	13.4	9.4	6.9	5.2	3.9
	RTA-350-0450-0900-188		4.50"	9.00"	0.188"	175	150	17.4	12.5	9.3	7.2	5.6
	RTA-350-0450-0800-250		4.50"	8.00"	0.250"	205	150	17.8	12.7	9.5	7.3	5.8
	RTA-350-0600-1000-188		6.00"	10.00"	0.188"	205	200	23.3	17.3	13.2	10.2	8.0
	RTA-350-0600-1000-250		6.00"	10.00"	0.250"	275	300	32.3	24.2	18.7	14.6	11.6
37'	RTA-370-0450-0800-188	36'-8"	4.50"	8.00"	0.188"	168	150	10.2	6.9	4.9	3.6	2.6
	RTA-370-0450-0900-156 ⁴		4.50"	9.00"	0.156"	158	150	11.6	8.0	5.7	4.2	3.1
	RTA-370-0450-0900-188		4.50"	9.00"	0.188"	187	150	15.3	10.8	8.0	6.1	4.6
	RTA-370-0450-0800-250		4.50"	8.00"	0.250"	219	150	15.6	11.0	8.2	6.2	4.8
	RTA-370-0600-1000-188		6.00"	10.00"	0.188"	218	200	20.8	15.4	11.6	8.9	6.8
	RTA-370-0600-1000-250		6.00"	10.00"	0.250"	292	300	29.2	21.8	16.7	13.0	10.2
39'	RTA-390-0450-0800-188 ⁴	38'-8"	4.50"	8.00"	0.188"	179	150	8.6	5.6	3.9	2.8	1.9
	RTA-390-0450-0900-156 ⁴		4.50"	9.00"	0.156"	168	150	9.9	6.7	4.7	3.3	2.3
	RTA-390-0450-0900-188 ⁴		4.50"	9.00"	0.188"	200	150	13.5	9.4	6.8	5.1	3.8
	RTA-390-0450-0800-250		4.50"	8.00"	0.250"	233	150	13.7	9.5	6.9	5.2	4.0
	RTA-390-0600-1000-188		6.00"	10.00"	0.188"	232	200	18.6	13.6	10.2	7.7	5.8
	RTA-390-0600-1000-250		6.00"	10.00"	0.250"	311	300	26.4	19.6	14.9	11.5	9.0
48'	RTA-480-0600-1000-250	47'-8"	6.00"	10.00"	0.250"	360	300	15.6	11.2	8.3	6.1	4.5
50'	RTA-500-0600-1000-250	49'-8"	6.00"	10.00"	0.250"	378	300	13.8	9.9	7.2	5.2	3.7

³ Effective Projected Area (EPA) calculations are based on a 1.3 Gust Factor. Variations from sizes listed above available upon inquiry. Satisfactory performance of lighting poles is dependent upon the pole being properly attached to a supporting foundation of adequate design. H.E. Williams, Inc. does not offer recommendations for foundations. See Williams Outdoor Information Section, page 19A, for Wind Map and EPA information.

⁴ Pole includes factory-installed vibration damper.

NOTES

- Pole installations in various parts of the country perform satisfactorily; however, in select locations destructive vibration can occur. H.E. Williams, Inc. is not responsible for vibration induced fatigue damage.
- H.E. Williams, Inc. warrants this product to be free from defects in materials and workmanship. Any defective part returned within one year from the date of delivery of the goods will be repaired or replaced without charge, F.O.B. factory.
This warranty specifically excludes fatigue or similar phenomena resulting from induced vibration, harmonic oscillation or resonance associated with movement of air currents around the product.
The above warranties are given in lieu of all other warranties express or implied, including without limitation, the warranty of merchantability and the warranty of suitability for a particular purpose. It is expressly stated that H.E. Williams, Inc. assumes no liability for consequential or liquidated damages arising out of a breach of the sale, including any warranties arising therefrom, and buyer's remedy shall be limited to repair or replacement of defective parts as described above.
Any action for the breach under a sale including any warranties arising therefrom must be commenced within one year after the cause of action accrues.

RTA

ROUND TAPERED ALUMINUM POLE

