

MEDIUM SHALLOW-BACK WALL PACK

WP1

LED



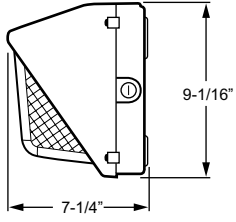
CATALOG #: _____ TYPE: _____

PROJECT: _____ NOTES: _____

EXAMPLE → **WP1** - **L44/850** - **OPTIONS** - **DIM** - **UNV**

SERIES
LUMEN PACKAGE
CRI & CCT
OPTIONS/ACCESSORIES
DRIVER
VOLTAGE

CROSS SECTION



14-1/4" x 9-1/16" x 7-1/4"

ORDERING INFORMATION

SERIES		DRIVER	
WP1	Medium Shallow-Back Wall Pack	DIM	10% dimming driver prewired for 0-10V low voltage applications

LED PACKAGE				VOLTAGE	
EXAMPLE: L44/850					
LUMEN PACKAGE	NOMINAL LUMENS	MINIMUM CRI & CCT	AVERAGE SYSTEM WATTAGE		
L44	4400	850 = 80 CRI, 5000K	48	120	120V
				208	208V
				240	240V
				277	277V
				UNV	120-277V
				347	347V
				480	480V

OPTIONS	
SF	Single fuse (120V, 277V, or 347V only; must specify voltage)
DF	Double fuse (208V, 240V, or 480V only; must specify voltage)
SP2	2.5kV surge protection (277V only)
PC	Factory-installed photocell (120V, 208V and 277V only, must specify voltage)
PVS	Polycarbonate vandal shield ¹
WG	Stainless steel wireguard ¹

FEATURES

- ▶ Dark bronze finish only.
- ▶ Wet location listed.
- ▶ Fully gasketed side-hinging door.
- ▶ Optional stainless steel wireguard, cutoff shields, and vandal shield available.
- ▶ 1/2" NPS threaded hub and plugged conduit entry points.

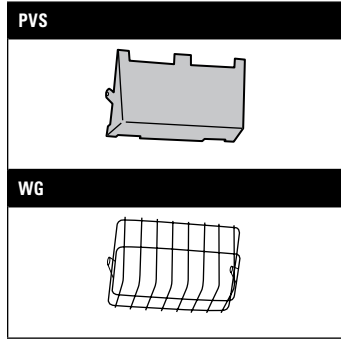
¹ Only one lens-mounted accessory per fixture. See page 2 for details.

LED

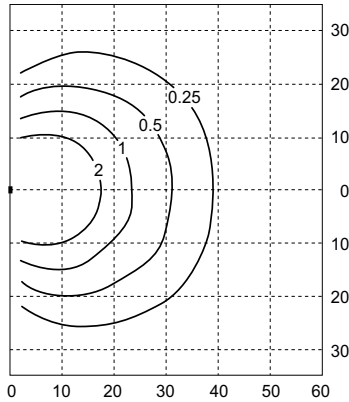
SPECIFICATIONS

Housing – Die-cast aluminum.
Lens – Impact-resistant prismatic borosilicate glass refractor.
Finish – Powder coated finish on heavy-duty die-cast housing. Bronze finish only.
Electrical – Electronic 120-277V or 347/480V dimmable driver. Metal core PCB LED array.
Mounting – Wall mounts directly over a 4" maximum recessed outlet box or accepts 1/2" surface conduit.
Labels – cCSAus listed to STD22.2 No. 250.0 certified as luminaire suitable for wet locations. 40°C maximum ambient operating temperature.
Warranty – 5-year limited warranty.

ACCESSORIES



FOOTCANDLE DISTRIBUTION



FIXTURE: **WP1-L44/850**

Footcandle calculations based on standard building reflectance of .10 with a ground reflectance of .0 and a light loss factor of .90.

Fixture installed at 12' mounting height.

- ▶ **Efficacy: 94 lm/W**
- ▶ **Flux: 4544 lm**
- ▶ **CRI: 84**
- ▶ **CCT: 5278**
- ▶ **BUG Ratings: B1-U4-G3**

MOUNTING

