

MEDIUM TRAPEZOID WALL PACK

WPTZ

CATALOG #: _____ TYPE: _____

PROJECT: _____

NOTES: _____

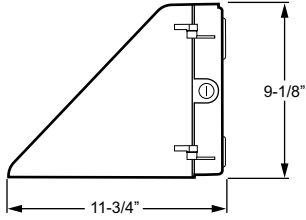
LED

EXAMPLE → **WPTZ - L38/750 - OPTIONS - DIM - UNV**

SERIES LUMEN PACKAGE CRI & CCT OPTIONS/ACCESSORIES DRIVER VOLTAGE



CROSS SECTION



14-1/4" x 9-1/8" x 11-3/4"

ORDERING INFORMATION

SERIES

WPTZ Medium Trapezoid Wall Pack

LED PACKAGE

EXAMPLE: L38/750			AVERAGE SYSTEM WATTAGE
LUMEN PACKAGE	NOMINAL LUMENS	MINIMUM CRI & CCT	
L38	3800	750 = 70 CRI, 5000K	42

OPTIONS

SF	Single fuse (120V or 277V only; must specify voltage)
DF	Double fuse (208V or 240V only; must specify voltage)
SP2	2.5kV surge protection
PC	Factory-installed photocell (120V, 208V and 277V only, must specify voltage)

ACCESSORIES (only one lens-mounted accessory per fixture)

Only one lens-mounted accessory per fixture. See page 2 for details.

PVS	Polycarbonate vandal shield
WG	Stainless steel wireguard
Y	Adjustable yoke mount allows 40° vertical swivel (hardware included)

DRIVER

DIM 10% dimming driver prewired for 0-10V low voltage applications

VOLTAGE

120	120V
208	208V
240	240V
277	277V
UNV	120-277V
347	347V
480	480V

FEATURES

- ▶ Dark bronze finish only.
- ▶ Clear glass lens standard.
- ▶ Fully gasketed for wet locations.
- ▶ Provides full cutoff.
- ▶ Optional stainless steel wireguard, vandal shield, and adjustable yoke mount lenses are available.
- ▶ 1/2" NPS threaded hub and plugged conduit entry points.

LED

SPECIFICATIONS

Housing – Heavy-duty die-cast aluminum construction.

Lens – Heat and impact-resistant clear tempered glass standard.

Finish – Powder coated on heavy-duty die-cast housing. Dark bronze finish only.

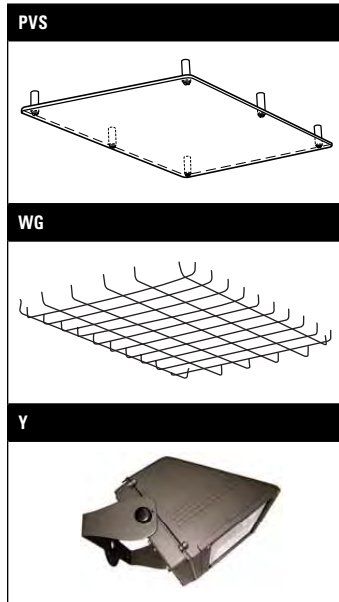
Electrical – Electronic 120-277V or 347/480V dimmable driver. Metal core PCB LED array.

Mounting – Wall mounts directly over a 4" maximum recessed outlet box or accepts 1/2" surface conduit.

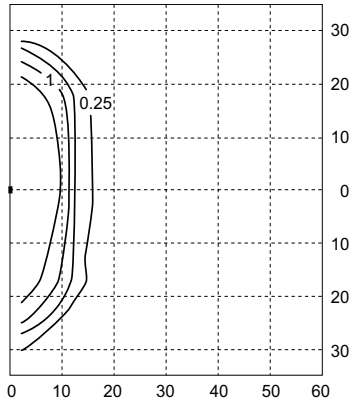
Labels – cCSAus listed to STD22.2 No. 250.0 certified as luminaire suitable for wet locations. 40°C maximum ambient operating temperature.

Warranty – 5-year limited warranty.

ACCESSORIES



FOOTCANDLE DISTRIBUTION



FIXTURE: **WPTZ-L38/750**

Footcandle calculations based on standard building reflectance of .10 with a ground reflectance of .0 and a light loss factor of .90.

Fixture installed at 12' mounting height.

- ▶ **Efficacy: 90 lm/W**
- ▶ **Flux: 3832 lm**
- ▶ **CRI: 72**
- ▶ **CCT: 5033**
- ▶ **BUG Ratings: B2-U1-G1**

MOUNTING

BACKVIEW	BOLT CIRCLE PATTERN DETAIL
YOKE MOUNT DETAILS	