

CATALOG #: _____

TYPE: _____

PROJECT: _____

FEATURES

- Long lasting, efficient, ultra bright white LED lamp heads
- Adjustable LED lamp heads provide optimal center-to-center spacing
- Long-life, energy efficient Red or Green LED EXIT sign illumination
- Self-diagnostic option performs monthly, biannual, and annual tests to ensure reliable operation and meet electrical and life safety codes
- Unique dual color LED indicator light provides battery condition alert
- Internal solid-state transfer switch automatically connects the internal battery to LED board and lampheads for minimum 90-minute emergency illumination
- Fully automatic solid state, two rate charger initiates battery charging to recharge a discharged battery in 24 hours

SPECIFICATIONS

- **HOUSING** – 5VA flame retardant, UV stabilized polycarbonate in white, black or gray finish. High-impact resistant, UV stabilized polycarbonate clear lens. Corrosion resistant enclosure with engineering grade silicone gasket. Removable directional indicators.
- **ELECTRICAL** – Dual 120/277 voltage. 3.6W (3 LEDs x 1.2 watt) per head. 6V long life, maintenance free, rechargeable NiCd battery.
- **MOUNTING** – Die-cast aluminum mounting canopy included for top or end mount. Universal KO pattern on back plate for wall mount.
- **LISTINGS** –
 - UL 924 standard as an emergency light suitable for wet locations (0°C - +50°C).
 - Meets NFPA 101 Life Safety Code, NEC, OSHA, Local and State Codes.
 - Certified to CEC under Title 20 Regulations.
- **WARRANTY** – 5-year limited warranty

ORDERING EXAMPLE: EXIT/EM/W SF - R - WHT - OPTIONS - D

ORDERING INFO

SERIES	NUMBER OF FACES	LETTER COLOR	HOUSING COLOR
EXIT/EM/W	SF Single Face	R Red	WHT Industry-standard white
	DF Double Face	G Green	BLK Black
			GRAY Gray with white faceplate

OPTIONS

OPTIONS	VOLTAGE
TP Tamper-resistant screws	D 120V or 277V
COPY/SF Custom message, single face ^[1]	
COPY/DF Custom message, double face ^[2]	
CW Internal heater with battery blanket ^[3]	
RC Remote capable ^[4]	
SDT Self-diagnostic test	
PC2 Polycarbonate shield ^[5]	

REMOTE HEADS: WETRHL - GRAY - OPTIONS - MV ^[6]

SERIES	HOUSING	HOUSING COLOR	OPTIONS	VOLTAGE
WETRHL Wet location single remote head	D Die-cast P Polycarbonate	BLK Black GRAY Gray	SDT For use with self-diagnostic test fixtures	MV Multi-voltage ^[7]
WETDRHL Wet location dual remote head				

NOTES

- ¹ Consult factory.
- ² Consult factory.
- ³ For cold temperature applications -20°C - +50°.
- ⁴ Up to 7.2W.

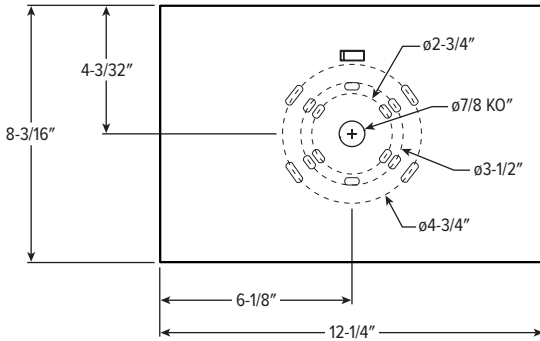
- ⁵ Ships separately. See page 2 for POLYCARBONATE SHIELD DETAILS.
- ⁶ Optional. Ships separately. See page 2 for REMOTE HEAD DETAILS. Must specify RC option.
- ⁷ For use with 3.6V, 6V, 9.6V, or 12V batteries.

ELECTRICAL INFORMATION

CATALOG NUMBER	INPUT WATTS (W)		INPUT AMPS (A)	
	120V	277V	120V	277V
EXIT/EM/W - R	4.9	4.9	0.05	0.02
EXIT/EM/W - R - CW	33.3	146.9	0.29	0.54
EXIT/EM/W - R - RC	6.6	6.5	0.06	0.03
EXIT/EM/W - R - CW - RC	35	148.5	0.30	0.54
EXIT/EM/W - R - SDT	5.2	5.2	0.05	0.02
EXIT/EM/W - R - CW - SDT	33.6	147.2	0.29	0.54
EXIT/EM/W - R - RC - SDT	6.9	6.8	0.06	0.03
EXIT/EM/W - R - CW - RC - SDT	35.3	148.8	0.30	0.54
EXIT/EM/W - G	4.9	4.8	0.05	0.02
EXIT/EM/W - G - CW	33.3	146.8	0.29	0.53
EXIT/EM/W - G - RC	6.5	6.5	0.06	0.03
EXIT/EM/W - G - CW - RC	34.9	148.5	0.30	0.54
EXIT/EM/W - G - SDT	5.2	5.1	0.05	0.02
EXIT/EM/W - G - CW - SDT	33.6	147.1	0.29	0.54
EXIT/EM/W - G - RC - SDT	6.8	6.8	0.06	0.03
EXIT/EM/W - G - CW - RC - SDT	35.2	148.8	0.30	0.54

MOUNTING DETAILS

WALL MOUNT BOLT CIRCLE PATTERN



REMOTE HEAD DETAILS

WETRHL



DIMENSIONS: 4-1/4" x 6-5/8"

WETDRHL



DIMENSIONS: 10-3/8" x 6-3/4"

POLYCARBONATE SHIELD DETAILS

PC2



DIMENSIONS: 15" x 22" x 7-3/4"