

ARCHITECTURAL WALL MOUNT

WMA

T5 | T8

CATALOG #:

TYPE:

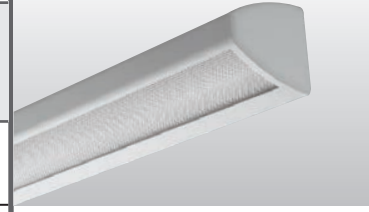
PROJECT:

NOTES:

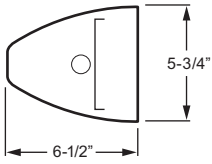
EXAMPLE

WMA - 4 - 2 32 - A - OPTIONS - EB2 - UNV

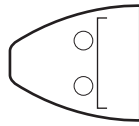
SERIES NOMINAL LENGTH TOTAL WATTAGE/LAMPS SHIELDING OPTIONS BALLAST TYPE VOLTAGE



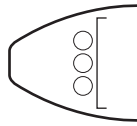
CROSS SECTIONS



Shown with 1 lamp



Shown with 2 lamps



Shown with 3 lamps
This configuration not available with occupancy sensor.

ORDERING INFORMATION

SERIES

WMA Architectural Wall Mount

NOMINAL LENGTH

2	2'
3	3'
4	4'

TOTAL LAMPS

1, 2, or 3

LAMP WATTAGE/TYPE

2' LAMP OPTIONS

14T5S	2', 14-watt T5
24T5H	2', 24-watt T5HO
17	2', 17-watt T8

3' LAMP OPTIONS

21T5S	3', 21-watt T5
39T5H	3', 39-watt T5HO
25	3', 25-watt T8

4' LAMP OPTIONS

28T5S	4', 28-watt T5
54T5H	4', 54-watt T5HO (1 or 2 lamp only)
32	4', 32-watt T8

SHIELDING

A	Acrylic, pattern #12, .125" thick
AF	Frosted acrylic, .125" thick

OPTIONS

See back for option details. For generic EM ballast options (must specify voltage), see [Technical Info](#).
For color options, visit the WMA at [hew.com](#).

PSBR/120	Single-circuit bottom-mounted pull switch on right (120V only)
PSBL/120	Single-circuit bottom-mounted pull switch on left (120V only)
PS2BR/120	Two-circuit, 4-position bottom-mounted pull switch on right (requires two ballasts per fixture; 120V only)
PS2BL/120	Two-circuit, 4-position bottom-mounted pull switch on left (requires two ballasts per fixture; 120V only)
GCOL	Grounded convenience outlet on left (120V only)
GCOR	Grounded convenience outlet on right (120V only)

OPTIONS (Continued)

See page 3 for divided light details

DL	Divided light with one lamp up, one lamp down (2-lamp fixture only, requires two ballasts; when equipped with single-circuit pull switch, pull switch operates the down light; when equipped with occupancy sensor, sensor operates the down light)
DL1U	Divided light with one lamp up (3-lamp fixture only, requires two ballasts; when equipped with single-circuit pull switch, pull switch operates the down light; when equipped with occupancy sensor, sensor operates the down light)
DL2U	Divided light with two lamps up (3-lamp fixture only, requires two ballasts; when equipped with single-circuit pull switch, pull switch operates the down light; when equipped with occupancy sensor, sensor operates the down light)
CT	Closed-top (not available with DL)
TP	Tamper-resistant (holt head) screws (requires a tamper-resistant tool, must be ordered separately. Please specify quantity required per project)
LVC1_	1-circuit low-voltage controller, specify U (Uplight), D (Downlight), or UD (Uplight and Downlight, controlled together), 120V or 277V only, not dimming compatible (LVC and OCC options cannot be used simultaneously on 2' and 3' units)
LVC2_	2-circuit low-voltage controller, UD (Uplight and Downlight, controlled separately), 120V or 277V only, not dimming compatible (LVC and OCC options cannot be used simultaneously on 2' and 3' units)
AMW	Anti-microbial white finish

OCCUPANCY SENSORS

Factory-installed occupancy sensor, 120V or 277V only, must specify voltage, not available with 3 lamps (see page 3 for details):

OCCWS FS-505-PP-___

BALLAST TYPE

For complete ballast offering, see [Technical Info](#).

EB1	1-lamp electronic ballast
EB2	2-lamp electronic ballast
EB3	3-lamp electronic ballast
EB1/1	(2) 1-lamp electronic ballasts
EB2/1	(1) 2-lamp and (1) 1-lamp electronic ballast

VOLTAGE

120	120V	UNV	120-277V
277	277V	347	347V

FEATURES

- ▶ Available in various upright, downlight, closed-top, and divided lamp options.
- ▶ Coutoured architectural housing with die-cast aluminum end caps.
- ▶ Pull switch and grounded convenience outlet options available (120V only).
- ▶ Various housing color options available, consult factory.
- ▶ Tool-less access to lamps by removing front housing from fixture channel.
- ▶ Keyhole mounting for easy installation.
- ▶ Optional tamper-resistant screws available.
- ▶ Optional anti-microbial white finish available for use in healthcare applications.
- ▶ This fixture is proudly made in the USA



SPECIFICATIONS

Housing – 20-gauge C.R.S. fixture channel. Front housing constructed of marine grade extruded aluminum with die-cast aluminum end caps.

Reflective Surfaces – 92% minimum average reflective white polyester powder coat on interior steel components.

Shielding – Acrylic, 125" thick, pattern #12 or frosted.

Finish – Textured matte white polyester TGIC powder coat bonded to phosphate-free, multi-stage pretreated metal. All parts painted after fabrication to facilitate installation, increase efficiency, and inhibit corrosion.

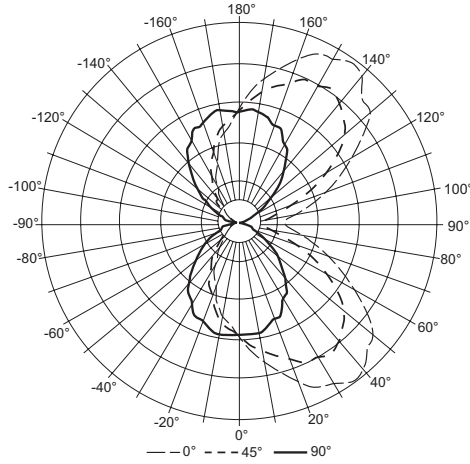
Electrical – Electronic ballast standard, program start T5 (T5 only), instant start T8 (T8 only), rated Class P.

Mounting – Wall.

Labels – UL/CUL listed as fluorescent luminaire suitable for dry or damp locations.

PHOTOMETRY

WMA-4-232-A Report #: 14044.0; 04/23/08; Lamp Type: F32T8/835; Lamp Quantity: 2; Effective Floor Cavity Reflectance = .20

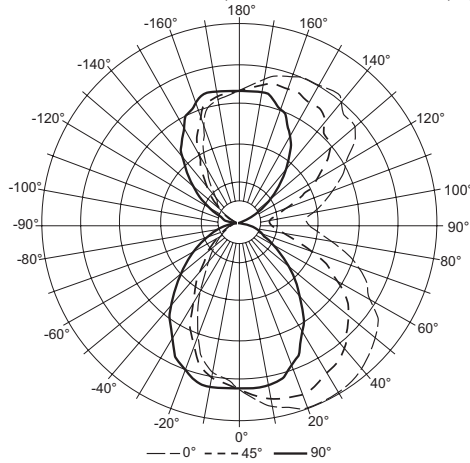


		ZONAL CAVITY COEFFICIENTS									
Ceiling		.80			.70			.50			
ROOM CAVITY RATIO	Wall	.70	.50	.30	.70	.50	.30	.50	.30	.10	
	0	.78	.78	.78	.72	.72	.72	.61	.61	.61	
	1	.71	.68	.65	.65	.63	.60	.53	.51	.49	
	2	.65	.59	.55	.59	.55	.51	.46	.43	.41	
	3	.59	.52	.47	.54	.48	.44	.41	.38	.35	
	4	.54	.46	.40	.50	.43	.38	.36	.33	.29	
	5	.49	.41	.35	.45	.38	.33	.32	.28	.25	
	6	.45	.37	.31	.42	.34	.29	.29	.25	.22	
	7	.42	.33	.27	.38	.31	.25	.26	.22	.19	
	8	.39	.30	.24	.35	.27	.22	.23	.19	.16	
	9	.36	.27	.21	.33	.25	.20	.21	.17	.14	
10	.33	.24	.19	.31	.23	.18	.19	.15	.13		

Vertical Angle	Horizontal Angle					Zonal Lumens
	0°	90°	180°	270°	360°	
0	656	656	656	656	656	
5	740	716	660	621	592	63.8
15	902	806	647	516	463	188.3
25	1070	913	602	389	320	299.9
35	1148	947	503	256	194	371.9
45	1068	870	369	131	99	385.9
55	923	722	244	68	54	342.0
65	670	481	131	32	17	245.9
75	454	259	81	5	6	146.5
85	300	155	23	6	8	97.7
90	276	148	0	8	11	
95	298	165	8	3	8	98.7
105	454	273	71	6	6	150.5
115	665	496	126	29	17	248.7
125	904	728	244	64	49	342.3
135	1028	873	369	171	110	387.6
145	1152	955	512	244	180	372.1
155	1094	930	607	370	297	300.7
165	941	830	649	495	436	187.9
175	758	713	662	599	565	62.8
180	654	654	654	654	654	

Zone	Lumens	% Lamp	% Fixture
0 - 30	552	9.4	12.9
0 - 40	924	15.7	21.5
0 - 60	1652	28	38.5
0 - 90	2142	36.3	49.9
90 - 120	498	8.4	11.6
90 - 130	840	14.2	19.6
90 - 150	1600	27.1	37.3
90 - 180	2151	36.5	50.1
0 - 180	4293	72.8	100.0

WMA-4-254T5H-A-DL1U Report #: 14045.0; 04/23/08; Lamp Type: F54T5H0/835; Lamp Quantity: 2; Effective Floor Cavity Refl. = .20



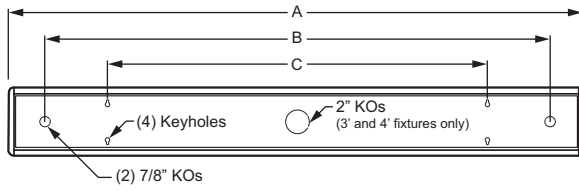
		ZONAL CAVITY COEFFICIENTS									
Ceiling		.80			.70			.50			
ROOM CAVITY RATIO	Wall	.70	.50	.30	.70	.50	.30	.50	.30	.10	
	0	.71	.71	.71	.66	.66	.66	.56	.56	.56	
	1	.65	.62	.59	.60	.57	.55	.49	.47	.46	
	2	.59	.54	.50	.55	.50	.47	.43	.40	.38	
	3	.54	.48	.43	.50	.44	.40	.38	.35	.32	
	4	.49	.42	.37	.46	.39	.35	.34	.31	.28	
	5	.45	.38	.32	.42	.35	.30	.30	.27	.24	
	6	.42	.34	.28	.39	.32	.27	.27	.24	.21	
	7	.39	.30	.25	.36	.28	.24	.25	.21	.18	
	8	.36	.27	.22	.33	.26	.21	.22	.19	.16	
	9	.33	.25	.20	.30	.23	.19	.20	.16	.14	
10	.31	.23	.18	.28	.21	.17	.18	.15	.12		

Vertical Angle	Horizontal Angle					Zonal Lumens
	0°	90°	180°	270°	360°	
0	1304	1304	1304	1304	1304	
5	1391	1364	1309	1267	1234	125.6
15	1510	1437	1289	1158	1091	367.6
25	1566	1436	1151	872	735	533.1
35	1535	1363	921	545	397	592.4
45	1461	1217	661	327	252	585.7
55	1349	1045	422	134	105	523.3
65	1123	762	231	67	40	405.2
75	854	444	140	17	14	266.3
85	613	278	42	18	28	186.8
90	553	260	0	27	34	
95	565	270	18	15	31	172.4
105	738	389	104	20	14	231.9
115	925	648	183	54	40	341.2
125	1137	879	350	113	88	440.7
135	1200	980	544	272	219	487.9
145	1286	1113	758	456	330	490.0
155	1264	1143	934	731	609	432.8
165	1204	1141	1048	962	912	297.9
175	1087	1071	1048	1023	1005	99.8
180	1043	1043	1043	1043	1043	

Zone	Lumens	% Lamp	% Fixture
0 - 30	1026	10.3	15.6
0 - 40	1619	16.2	24.6
0 - 60	2728	27.3	41.4
0 - 90	3586	35.9	54.5
90 - 120	746	7.5	11.3
90 - 130	1186	11.9	18
90 - 150	2164	21.6	32.9
90 - 180	2995	29.9	45.5
0 - 180	6581	65.8	100.0

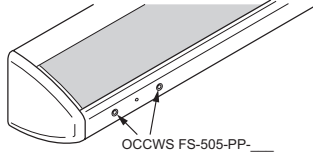
FIXTURE DETAILS

BACK VIEW



NOMINAL LENGTH	DIMENSIONS		
	A	B	C
2' Unit	25-1/8" O.C.	20-1/2" O.C.	16" O.C.
3' Unit	37-1/8" O.C.	32-1/2" O.C.	32" O.C.
4' Unit	49-1/8" O.C.	42-1/2" O.C.	32" O.C.

OCCUPANCY SENSOR DETAIL



DIVIDED LIGHT OPTION DETAILS

